

OKIFAX 5700/5900

Maintenance Manual

Second Edition

Note: Throughout this manual there are many references to the G4/ISDN option. This option is not available in the U.S. or CANADA.

October, 1999

Oki Data Corporation

Contents

CHAPTER 1 GENERAL INFORMATION

1. GENERAL INFORMATION	1-1
1.1 General Performance	1-1
1.2 General User's Functions	1-4
1.3 General Maintenance Functions	1-7
1.4 General Appearance	1-9
1.5 Basic Performance Specifications	1-11
1.6 Reports and Lists	1-21

CHAPTER 2 INSTALLATION PROCEDURE

A. Setup Information	2-1
2.1 General	2-1
2.2 Site Selection	2-3
2.3 Unpacking	2-5
2.4 Contents Identification	2-7
2.5 Installation of Attachments	2-8
2.6 AC Cord Connection	2-13
2.7 Telephone and Line Connection	2-14
2.8 Pcking for Shipment	2-14
B. Programming and Initial Settings	2-15
2.9 Initial Settings	2-15
2.9.1 General Procedure of Key Operation	2-15
2.9.2 Technical Functions: Setup	2-21
2.9.2.1 Technical Functions Operation 1	2-22
2.9.2.2 Technical Functions Operation 2	2-23
2.9.2.2.1 T1 (TX) Timer Value	2-30
2.9.2.2.2 T1 (RX) Timer Value	2-31
2.9.2.2.3 T2 Timer *100ms	2-32
2.9.2.2.4 Error Criterion	2-33
2.9.2.2.5 Attenuator	2-33
2.9.2.2.6 T/F Tone Att.	2-34
2.9.2.2.7 MF Att.	2-34
2.9.2.2.8 Ring Dura. *10ms	2-35
2.9.2.2.9 CML Timing *100ms	2-35
2.9.2.2.10 LED Headstrobe	2-36
2.9.2.3 Technical Functions (Setup)	2-37
2.9.2.4 TEL/FAX automatic switching	2-48
2.9.2.5 TAD mode	2-50
2.9.2.6 Outline of Parallel Pick Up	2-52
2.9.3 User's Functions	2-54
2.9.4 Location Program	2-56
2.9.4.1 Select Menu is shown as below:	2-56
2.9.5 Setup	2-60
2.9.5.1 Clock Adjustment	2-62
2.9.5.2 ID/Passward Programming:	2-63
2.9.5.2.1 TSI/CSI	2-64
2.9.5.2.2 Sender ID	2-65
2.9.5.3 Machine Settings:	2-69
2.9.5.3.1 Auto Answer Mode	2-73

2.9.5.3.2	TX Mode Default	2-74
2.9.5.4	Dial Options:	2-80
2.9.5.4.1	Redial Tries	2-83
2.9.5.4.2	Redial Interval	2-84
2.9.5.4.3	Dial Prefix	2-85
2.9.5.5	Incoming Options:	2-89
2.9.5.5.1	CNG COUNT	2-91
2.9.5.5.2	Distinctive Ring	2-92
2.9.5.6	Report Options:	2-96
2.9.5.7	LAN Options:	2-98
2.9.5.7.1	IP Address	2-99
2.9.5.7.2	Subnet Mask	2-101
2.9.5.7.3	Default Gateway	2-102
2.9.6	User Default Setting	2-105
2.9.7	Technical Default Setting	2-106
2.9.8	Default Setting of Dial Parameters	2-107
2.9.9	Off-line Tests	2-108
2.9.9.1	Self Diagnosis Flow	2-109
2.9.10	On-line Tests	2-113
2.10	Installation of optional units	2-116
2.10.1	Optional units	2-116
2.10.2	Memory Board Installation Instruction	2-117
2.10.3	Network Card Installation Instruction	2-118
2.10.4	G4 Board Installation Instruction	2-119

CHAPTER 3 BRIEF TECHNICAL DESCRIPTION

3.1	Fundamentals of the Electro-Photographic Process	3-2
3.2	Actual Electro-photographic Process	3-4
3.3	Boards and Units	3-5
3.4	Overall Dimension and Mechanical Structure of OKIFAX 5700/5900	3-6

CHAPTER 4 MECHANICAL DISASSEMBLY AND REASSEMBLY

4.	General	4-1
4.1	Precautions for Parts Replacement	4-1
4.2	Tools	4-3
4.3	How to Disassemble and Reassemble	4-3
4.3.1	Document Table Cover	4-6
4.3.2	Rear Cover and NCU Cover	4-6
4.3.3	Main Cover	4-7
4.3.4	Operation Unit	4-9
4.3.5	NCU Board	4-10
4.3.6	MODEM Board	4-10
4.3.7	Plate Package	4-11
4.3.8	Scanner Unit (CIS)	4-12
4.3.9	Stacker Frame	4-13
4.3.10	Printer Unit	4-13
4.3.11	Fan	4-14
4.3.12	Main Board	4-15
4.3.13	Contact Assembly and High-/Low-voltage Power Supply Boards	4-15
4.3.14	Disassembling the Operation Unit	4-16
4.3.14.1	Disassembling the Operation Unit	4-18
4.3.15	Disassembling the Scanner Unit (L)	4-19
4.3.16	Scanner (CIS)	4-20
4.3.17	PC1/PC2 Sensors	4-20
4.3.18	Speaker	4-21
4.3.19	Scanner Motor	4-22

4.3.20	Disassembling the Printer Unit	4-23
4.3.21	LED Head	4-24
4.3.22	Toner Lookout Board	4-25
4.3.23	Stacker Cover	4-26
4.3.24	Fusing Unit	4-26
4.3.25	Manual Feed Assembly	4-26
4.3.26	Back-up Roller, Transfer Roller	4-27
4.3.27	Resist Roller, Hopping Roller, Sensor Plates	4-28
4.3.28	Ink Jet Guide Assembly	4-29

CHAPTER 5 ADJUSTMENTS

5.1	Setting of LED Print Head Drive Time	5-1
5.2.1	Confirmation Items	5-2
5.2.2	Measurement	5-3

CHAPTER 6 CLEANING AND MAINTENANCE

6.1	Replacement of Consumable	6-1
6.2	Routine Inspection	6-3
6.3	Printer Counter Display/Clear	6-5
6.4	Printer Counter Display/Clear	6-7
6.5	Self-diagnosis Test	6-8
6.6	Sensor Calibration Test	6-11
6.7	LEDs Test	6-12
6.8	Tone Send Test	6-13
6.9	High-speed Modem Send Test	6-14
6.10	High-speed Modem Receive Test	6-15
6.11	MF Send Test	6-16
6.12	Tone (TEL/FAX)	6-17
6.13	Protocol Dump Data Printing	6-18
6.14	System Reset	6-19
6.15	Service Codes	6-20
6.16	G4 Service Code Lists	6-23

CHAPTR 7 TROUBLESHOOTING AND REPAIR FOR OKIFAX 5700/5900

7.1	Overall Troubleshooting Flow Chart	7-2
7.2	No LCD Operation	7-3
7.3	Alarm LED On	7-4
7.4	Printing Test Failure	7-5
7.5	No Local Copy	7-6
7.6	Auto Dial Failure	7-7
7.7	Transmission Problem	7-8
7.8	Auto Reception Failure	7-10
7.9	Reception Problem	7-11
7.10	Sensor Calibration Test	7-13
7.11	LED Test	7-14
7.12	Tone Send Test	7-15
7.13	High-speed Modem Test	7-16
7.14	MF Send Test	7-18
7.15	Tone (TEL/FAX) Send Test	7-19
7.16	No Acoustic Line Monitor	7-20
7.17	Power Supply Unit	7-21

7.18	No Document Feeding	7-22
7.19	Multiple Document Feeding	7-23
7.20	Document Skew	7-24
7.21	Document Jam	7-26
7.22	Printer Unit	7-27
7.22.1	Precautions	7-27
7.22.2	Troubleshooting Flow Charts of Printer Unit.....	7-28

Appendix A PC Board Descriptions and Operation

A1.1	Unit Configuration and Block Diagram	A1-1
A2.1	OKIFAX 5700/5900 Signal Flow	A2-1
A2.2	Explanation of Signal Flowchart	A2-18
A3.1	MCNT	A3-1
A3.2	OPE Control	A3-36
A3.3	MODEM C34 PC Board	A3-37
A3.4	UNC, WN5, FN5 and DN5 Circuit Diagram	A3-42
A3.5	Power Supply Board	A3-55
A3.6	High-voltage Power Supply Circuit	A3-57
A3.7	G4A-PCB	A3-59

Appendix B Description of Print Operations for OKIFAX 5700/5900

B.1	Mechanical Components	B-1
B.2	Description of Print Operation	B-3
B.3	Errors	B-14
B.4	Other Special Cases	B-20

Appendix C Not used at this time

**Appendix D Mechanical Expanded View Drawing and Parts List
(OKIFAX 5700/5900)**

Appendix E Not used at this time

Appendix F Not used at this time

Appendix G PC-Loading

Appendix H RMCS System Manual (For Model 30)

CHAPTER 1

GENERAL INFORMATION

1. GENERAL INFORMATION

1.1 General Performance

- (1) Type of appearance
 - Desktop type
- (2) Applicable lines
 - PSTN (Public switched telephone network)
 - PBX (Private branch exchange) telephone line
 - ISDN (Integrated service digital network)
 - LAN (Local area network)

Note: ISDN and LAN are option.
- (3) Compatibility
 - ITU-T Group 3 facsimile transceiver
 - ITU-T Group 4 facsimile transceiver (option)
- (4) Document width
 - Max. 216 mm (NA Letter)
 - Min. 148 mm (ISO A5 size)
- (5) Effective reading width

TX	• 215.4 mm (NA Letter)	COPY	• 211.3 mm (NA Letter)
	• 208.6 mm (ISO A4 size)		• 211.3 mm (ISO A4 size)*1

* Printing width will be 206 mm.
- (6) Scanning length
 - 128 mm to 356 mm

Length setting: Long documents (1500 mm) are also available.
- (7) Automatic document feeder (ADF)
 - 50 sheets (NA Letter/A4-size: 20-lb/75gm Oki Data recommended paper)
 - 30 sheets (NA Letter/A4-size: 16 to 28-lb/60 to 105gm)
- (8) Recording paper
 - 1st cassette: NA Letter/NA Legal/A4-size plain paper cut 250 sheets capacity (20-lb/75gm)
 - 2nd cassette (option): NA Letter/NA Legal/A4-size plain paper cut 500 sheets capacity (20-lb/75gm)
 - Manual paper feeder: Transparency for overhead projector, applicable.
Sheet size: NA Letter/NA Legal/A4-size
*: Oki Data recommended paper
- (9) Printable width
 - NA Letter: 211.3 mm (203.2 mm for assured quality)
 - NA Legal: 211.3 mm (203.2 mm for assured quality)
 - ISO A4: 206.0 mm (197.3 mm for assured quality)
- (10) Printable length
 - NA Letter: 273.4 mm (266.7 mm for assured quality)
 - NA Legal: 349.6 mm (342.9 mm for assured quality)
 - ISO A4: 291.0 mm (284.3 mm for assured quality)
- (11) Copy stacker
 - Face down stacking: Max. 200* sheets
 - Face up stacking: Max. 10* sheets

*Note 1: Oki Data recommended paper
Note 2: Face down or face up stacking is changeable by the lever.

(12) Scanning resolution

a) Horizontal:

- 300 dot per inch
Note: 600 dpi x 15.4 mm; copy is available.

b) Vertical:

- 300 dot per inch, 15.4, 7.7, and 3.85 lines per mm
Note: 300 dpi x 300 dpi; Transmission is available.

(13) Scanning method

- 2592 bits contact image sensor

(14) Recording resolution

a) Horizontal:

- 600 dot per inch

b) Vertical:

- Variable:

	A4	Letter
STD	3.85 ~ 4.96	3.85 ~ 5.28
Fine	7.7 ~ 9.93	7.7 ~ 10.57
Ex-Fine (15.4 line/mm)	15.4 ~ 19.87	15.4 ~ 21.15
Ex-Fine (300 dot/inch)	300 ~ 387	300 ~ 412

- Fixed
EX-FINE mode : 300 dot/inch, 15.4 line/mm
FINE mode : 7.7 line/mm
STD mode : 3.85 line/mm
PC-Print : 600 dot/inch, 300 dot/inch

(15) Printing method

Electro photographic printing

- 211.3 mm (4992 bits) LED print head

(16) Minimum scan line time for reception

- When receiving from OKIFAX or ECM: 0 ms
- When receiving from non OKIFAX and non ECM: 10 ms at 3.85 line/mm
5 ms at 7.7 line/mm, 15.4 line/mm

(17) Print speed

- Max. 10 sheets per minute (at NA letter size)

(18) Coding scheme

- Modified Huffman (MH)
- Modified Read (MR)
- Modified Modified Read (MMR)
- JBIG (only for OKIFAX 5900)

(19) Modem

- ITU-T Rec. V.29: 9600bps for use on point-to-point 4-wire leased telephone type circuit.
- ITU-T Rec. V.27 ter: 4800bps modem for use in GSTN (General Switched Telephone Network)
- ITU-T Rec. V.21 channel 2: 300 bps duplex modem for GSTN
- ITU-T Rec. V.17: 2-wire modem for fax applications up to 14.4kbps
- ITU-T Rec. V.34

(20) Transmission speed

- 2.5 sec. per sheet of ITU-T No.1 evaluation test chart (for OKIFAX 5900)
- 3.0 sec. per sheet of ITU-T No.1 evaluation test chart (for OKIFAX 5700)
Note: This is Phase C at 3.85 line/mm.

- (21) Protocol
 - ITU-T Rec. T.30
 - ITU-T Rec. G4 Class 1 (option)
 - OKI special protocols: High speed protocol (G3)

- (22) Error correction scheme
 - ITU-T ECM

- (23) Image memory
 - Basic model: 2.5 M-byte (OKIFAX 5700)
4.5 M-byte (OKIFAX 5900)
 - Optional memory: 2.0/4.0 M-byte

- (24) Liquid crystal display (LCD)
 - Four lines of 20 characters for operation guidance, check and various kinds of information

- (25) Power source
 - Normal input voltage 120 VAC for ODA version
 - Normal input voltage 230 VAC for INT'L version

- (26) MFP (Multi-Function Peripheral) function
 - PC Printer function
 - PC Scanner function
 - PC Fax Modem function
 - Note: For details, see "Product Specification for MFP"*
 - Hardware is standard and software is option for Bi-Centro interface.*

- (27) ISDN function (option)
 - G4 function
 - ISDN G4: Communication
 - ISDN G3: Communication
 - ISDN: Report and List
 - Note: For details, see "Product Specification for ISDN G4 option"*

- (28) Network print service
 - Netware
 - TCP/IP
 - Windows NT/95/3.1
 - T600dpi, 10ppm
 - Note: For details, see "Product Specification for Network Print Service"*

1.2 General User's Functions

1) Transmission

- (1) Transmit mode
 - Automatic transmit mode
 - Manual transmit mode
- (2) Instant Dialling
- (3) Delayed feeder transmission
- (4) Memory transmission
 - 40 sessions
- (5) Delayed memory transmission (within 3 days)
 - 20 specified times for OKIFAX 5700
 - 30 specified times for OKIFAX 5900
- (6) Sequential broadcast (Memory)
 - 150 stations for OKIFAX 5700
 - 240 stations for OKIFAX 5900
- (7) Delayed broadcast
 - 20 specified times for OKIFAX 5700
 - 30 specified times for OKIFAX 5900
- (8) Confidential message transmission
 - Feeder Confidential TX
 - Memory Confidential TX
- (9) Relay broadcast initiate
 - Feeder Relay broadcast initiate
 - Memory Relay broadcast initiate
- (10) Polling transmission
 - Feeder Polling TX
 - Memory Polling TX
- (11) Bulletin Poll transmission (When Box number is opened.)
 - 16 boxes
- (12) Batch transmission
- (13) Priority transmission
- (14) Transmission preparation (Feeder)

2) Reception

- (1) Receive mode
 - Automatic receive mode
 - Manual receive mode
 - TEL/FAX receive mode
 - TAD mode
 - Memory receive mode
 - PC receive mode
 - Forwarding mode
- (2) Memory only reception
- (3) No toner/No paper reception (memory)
- (4) Confidential message reception
 - 16 mail boxes
- (5) Fax forwarding for incoming call
- (6) Fax forwarding for no toner/no paper reception
- (7) Polling reception

3) Convenience

- (1) Dual access
- (2) Automatic redial
- (3) Last number redial (Manual redial)
- (4) Local copy of a document, including multiple copies
 - 99 copies max.
- (5) Sender identification (Sender ID)
- (6) Personal identification (Personal ID)
- (7) TSI/CSI: Local telephone number
- (8) Acoustic monitor (only TX mode)
 - 5 level selectable
- (9) Automatic alternate selecting call
(FAX No. + FAX No. can be registered in one-touch keys).
 - OKIFAX 5700: Speed Dial (1 to 40) are assigned to one-touch keys.
 - OKIFAX 5900: Speed Dial (1 to 80) are assigned to one-touch keys.
- (10) Half-tone transmission (at FINE resolution)
 - 64 scale gradations
- (11) Page re-transmission (Only when memory TX mode)
- (12) Distinguishing text from pictures
- (13) Vertical reduction printing (Reduction rate is from 100% to xx%)
Note: xx is Letter 72.8%, A4 77.5%

- (14) Smoothing printing
In case of 8 dot/mm x 3.85 lines/mm \varnothing 300 dot/inch x 784 lines/inch
- (15) Auto dialing
 - Speed dialing:
OKIFAX 5700; 1 to 140 (1 to 40 are assigned to one-touch keys.)
OKIFAX 5900; 1 to 230 (1 to 80 are assigned to one-touch keys.)
 - Group dialing; 20 groups
 - Keypad dialing
 - Chain dialing
 - Mixed dialing
- (16) Real-time dialing
Dialing with off hook condition or when the HOOK key is pressed.
- (17) Automatic pause signal insertion
- (18) Local copy
- (19) Telephone directory (Alpha/Location) dialing
- (20) TEL/FAX automatic switching
- (21) TAD mode (for external telephone answering device)
- (22) Session number
- (23) Time and date printing
- (23) Closed user group (Direct mail rejection)
- (24) Contrast and resolution control
- (25) Key touch tone
- (26) Printer counter display (For drum, toner, print, and scan)
- (27) Quick scanning
- (28) Time and date setting
- (29) Language selection
 - 2 languages (LCD and Report)
- (30) Distinctive ring detect
- (31) Restricted access
- (32) Beep sound

4) Reports

- (1) Function list
- (2) Configuration
- (3) Phone directory

- (4) Group directory
- (5) Activity report
- (6) Active memory files
- (7) Broadcast MCF (Message Confirmation)
- (8) Protocol dump (G3 and G4)
- (9) NIC configuration
- (10) Log. report
- (11) G4 Log. report
- (12) Self diagnosis report

5) Report options

- (1) MCF. (Single-Loc.)
- (2) MCF. (Multi-Loc.)
- (3) Image in MCF.
- (4) Error report (MCF.)

1.3 General Maintenance Functions

1) Local tests

- (1) Self-diagnosis
 - Main board
 - CPU ROM/RAM check
 - Flash memory check (Program, Language, and Default)
 - Modem
 - RAM check
 - Toner cartridge
 - Option memory check
 - DEVICE ID
 - LAN Board check (option)
 - ISDN board (option)
 - CPU ROM/RAM check
- (2) Sensor calibration (Adjustment of scanning level)
- (3) LED test
- (4) Tone send test (When NCU board is installed.)
- (5) High-speed modem send test (When NCU board is installed.)
- (6) High-speed modem receive test (When NCU board is installed.)
- (7) MF tone test (When NCU board is installed.)

- (8) Tone (TEL/FAX) test (When NCU board is installed.)
- (9) Loop back 1 (When ISDN option board is installed.)
- (10) Loop back 2 (When ISDN option board is installed.)
- (11) INFO0 sending (When ISDN option board is installed.)
- (12) INFO1 sending (When ISDN option board is installed.)
- (13) INFO2 sending (When ISDN option board is installed.)
- (14) INFO3 sending (When ISDN option board is installed.)
- (15) Pulse (1kHz) send (When ISDN option board is installed.)
- (16) Pulse (2kHz) send (When ISDN option board is installed.)
- (17) Pulse (N2kHz) send (When ISDN option board is installed.)

2) Technical setup

3) System reset

- All data clear
- Location data clear
- Configuration data clear

4) Default type set

5) PC loading

6) G4 PC loading

1.4 General Appearance

Figure 1.4.1 shows the general appearance of the OKIFAX 5700/5900.

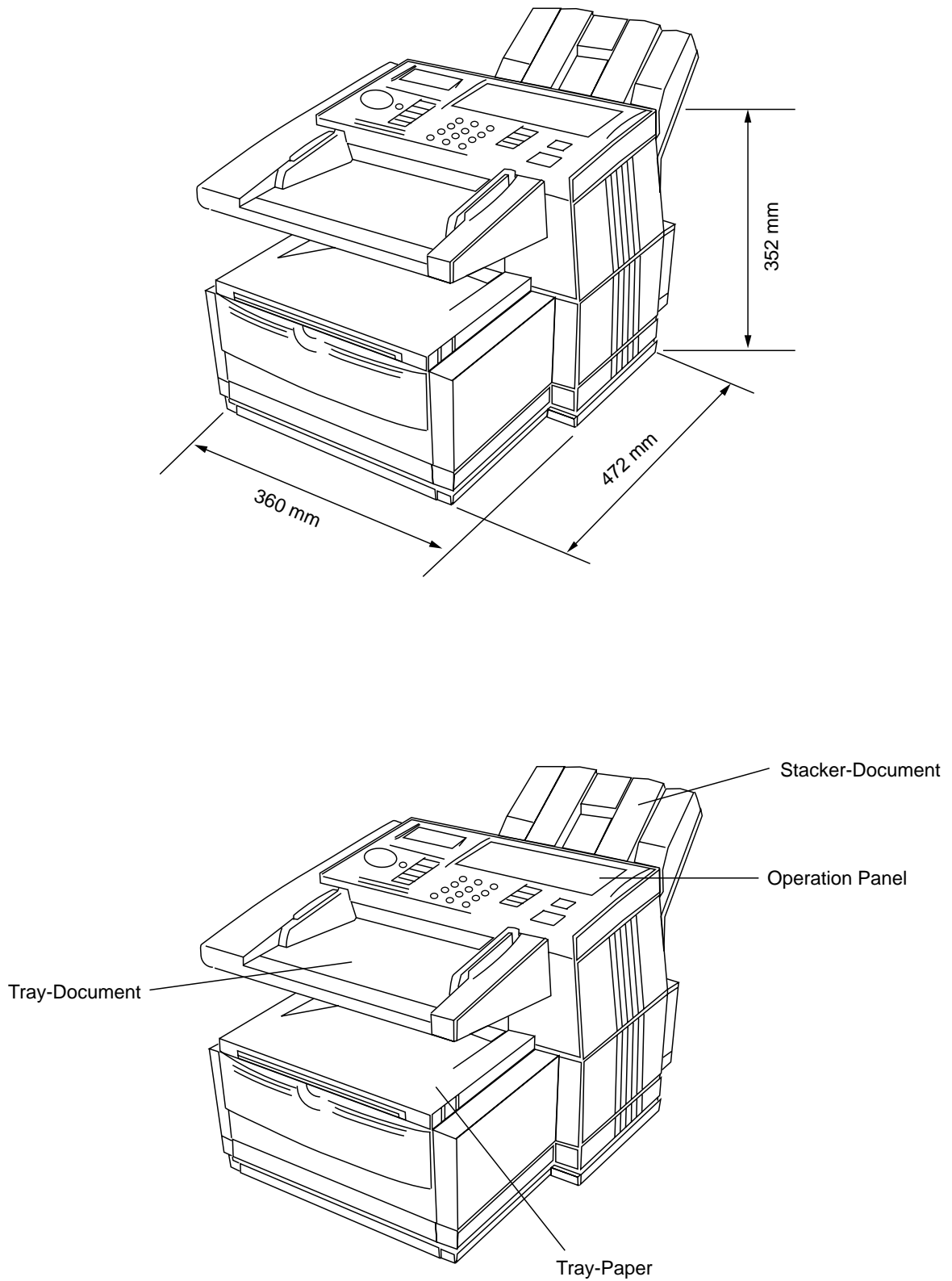


Figure 1.4.1 General Appearance of OKIFAX 5700/5900

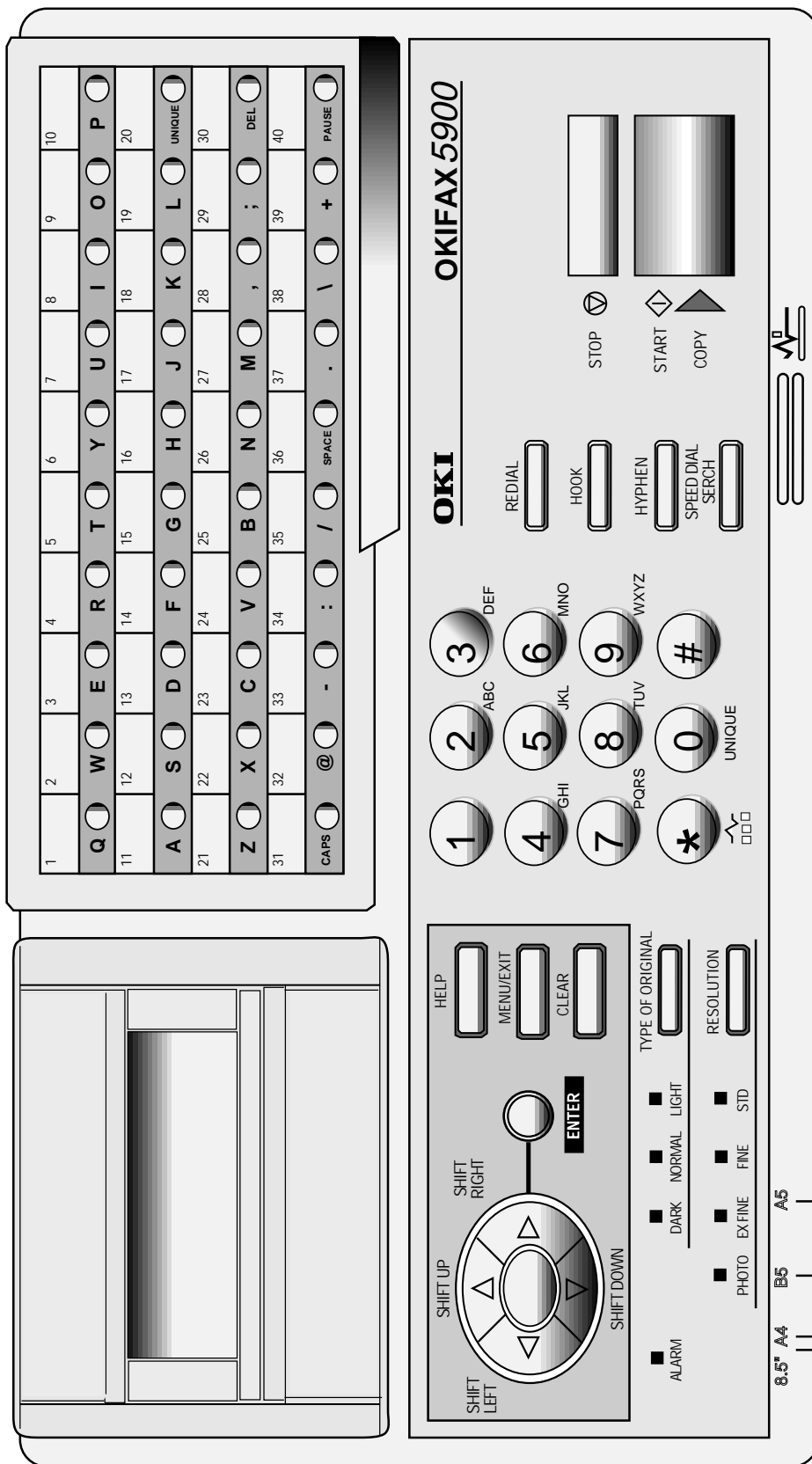


Figure 1.4.2 Control Panel of OKIFAX 5700/5900

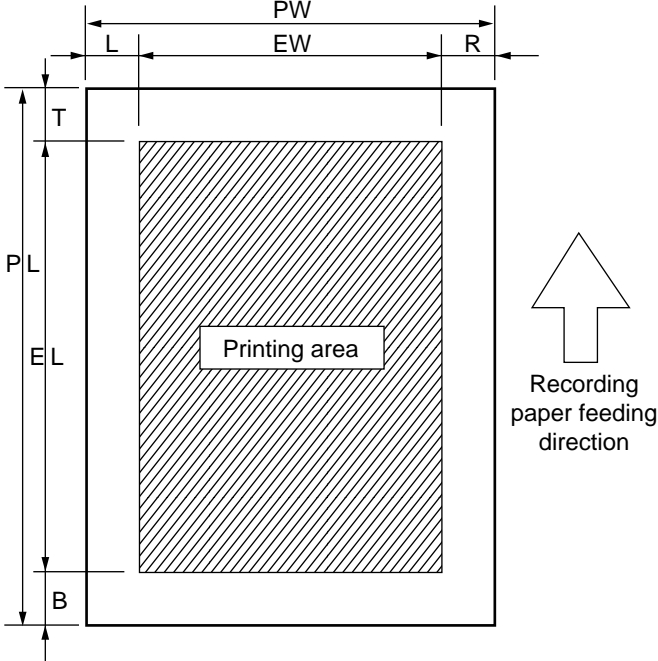
1.5 Basic Performance Specifications

Table 1.5.1 shows basic performance specifications:

Table 1.5.1 Basic Performance Specifications

No.	Item	Specifications												
1	Applicable line	1) PSTN (Public switched telephone network) 2) PBX (Private branch exchange) 3) ISDN (Integrated services digital network): Option 4) LAN (Local area network): Option												
2	Line interface	600 ohm balanced												
	1) Impedance	<i>Note:</i> Impedance may differ by the requirement of PTT												
	2) Sending power level	0 dBm to -15 dBm range (Adjustable in 1 dB steps: Technical Setup No.21)												
	3) Receiving power level	0 dBm to -43 dBm (In case of V.34 TX/RX, -3 ~ -36 dBm)												
3	Type of document to be transmitted	Max. 216 mm (NA Letter) Min. 148 mm (ISO A5)												
	1) Width	<i>Note:</i> Effective reading width is NA Letter (215.4 mm)												
	2) Length	Min. 128 mm (5 inch) Max. 356 mm (14 inch) Long document detection: 380 mm or 1500 mm (Technical Setup No. 10: To enables or disables the long document scanning.)												
	3) Thickness	Based on common bond paper, 1) 0.08 to 0.13 mm for multiple page feeding 2) 0.06 to 0.15 mm for single page feeding												
	4) Shape	Rectangular												
	5) Opacity	Document allowing less than 40% of the scanner source light to pass through them.												
4	Effective reading width	<table border="1"> <thead> <tr> <th>Document Width</th> <th>Communication mode/paper width</th> <th>Copy size</th> <th>Effective reading width</th> </tr> </thead> <tbody> <tr> <td>NA Letter (216 mm) US/CANADA</td> <td>G3/A4</td> <td>Letter</td> <td>215.4 mm for TX 211.3 mm for local copy</td> </tr> <tr> <td>ISO A4 (210 mm) INT'L</td> <td>G3/A4</td> <td>A4</td> <td>208.6 mm for TX 211.3 mm for local copy (*1)</td> </tr> </tbody> </table> <p><i>Note (*1):</i> Printing width will be 206 mm.</p>	Document Width	Communication mode/paper width	Copy size	Effective reading width	NA Letter (216 mm) US/CANADA	G3/A4	Letter	215.4 mm for TX 211.3 mm for local copy	ISO A4 (210 mm) INT'L	G3/A4	A4	208.6 mm for TX 211.3 mm for local copy (*1)
Document Width	Communication mode/paper width	Copy size	Effective reading width											
NA Letter (216 mm) US/CANADA	G3/A4	Letter	215.4 mm for TX 211.3 mm for local copy											
ISO A4 (210 mm) INT'L	G3/A4	A4	208.6 mm for TX 211.3 mm for local copy (*1)											

No.	Item	Specifications
5	Automatic document feeder (ADF) capacity	<p>Max. 50 documents: 20 lb/75gm NA Letter or A4 size paper Max. 30 documents: 16 to 28/60 to 105gm NA Letter or A4 size paper Document shall be placed facedown on ADF stacker.</p>
6	Document skew	<p>Max. 1.0 mm skew over any advance of 100 mm. The occurrence of skew exceeding 1 mm per 100 mm shall be 0.5% or less.</p>
7	Document jam detection	<p>1) Transmission will stop and a line disconnection will occur when the end of the document is detected within 380 mm after scanning begins.(except if unlimited: Technical Setup No.10) 2) A jam will also be declared if the document does not reach the scanning position within about 5 seconds after the start of a document feed. <i>Note:</i> When a jam is detected during message transmission, the machine will stop, but its receiving capability will remain valid.</p>
8	Document jam removal	<p>Manual release</p>
9	Document stacking	<p>Documents up to 297 mm in length, which meet the basic weight and thickness specification, will exit on the stacker, and documents of Letter or A4-size will stack in sequence. The first sheet will be fed first in the feeder and will exit on the stacker with printing side down.</p>
10	Recording paper.	<p>For the first or second recording paper cassette: 1) Type: Plain paper (Bond paper: Xerox 4200 type or equivalent) 2) Size: ISO A4: 210 mm x 297 mm NA Letter: 215.9 mm x 279.4 mm/8.5 inch x 11 inch NA Legal 14: 215.9 mm x 355.6 mm/8.5 inch x 14 inch NA Legal 13: 215.9 mm x 330.2 mm/8.5 inch x 13 inch 3) Weight: 16 lbs to 24 lb/60 to 105gm base weight Base weight is defined as the weight of 500 sheets of 431.8 mm (17 inch) by 558.8 mm (22 inch) or 1 sheet of size 1000mm by 1000mm. 4) Thickness: 0.08 mm to 0.13 mm 5) Condition: New paper</p> <p>For the manual paper feeder: 1) Type: Plain paper, colored paper, printed paper, envelope 2) Size: LA Letter/A4/NA Legal/Executive/A5/A6/etc. 3) Weight, thickness and condition: Same as above <i>Note:</i> One single sheet should be loaded on the manual paper feeder for one occasion.</p> <p>For best results use Oki Data recommended papers 1) Xerox 4200 (20-lb/75gm base weight paper)</p>

No.	Item	Specifications																																																																																									
11	Recording paper cassette First cassette	Up to 250 sheets/cassette (Oki Data recommended paper)																																																																																									
	Second cassette (option)	Up to 500 sheets/cassette (Oki Data recommended paper)																																																																																									
12	Effective recording paper	 <p data-bbox="328 1200 547 1234">1) Printable area</p> <table border="1" data-bbox="762 1205 1396 1581"> <caption data-bbox="770 1205 943 1234">Printable area</caption> <thead> <tr> <th rowspan="2"></th> <th colspan="2">Letter Size</th> <th colspan="2">A4 Size</th> <th colspan="2">14 inch Legal Size</th> <th colspan="2">13 inch Legal Size</th> </tr> <tr> <th>inch</th> <th>mm</th> <th>inch</th> <th>mm</th> <th>inch</th> <th>mm</th> <th>inch</th> <th>mm</th> </tr> </thead> <tbody> <tr> <td>PL</td> <td>11</td> <td>279.4</td> <td>11.7</td> <td>297</td> <td>14</td> <td>355.6</td> <td>13</td> <td>330.2</td> </tr> <tr> <td>PW</td> <td>8.5</td> <td>216</td> <td>8.27</td> <td>210</td> <td>8.5</td> <td>216</td> <td>8.5</td> <td>216</td> </tr> <tr> <td>EL</td> <td>10.76</td> <td>273.4</td> <td>11.46</td> <td>291</td> <td>13.76</td> <td>349.6</td> <td>12.76</td> <td>324.2</td> </tr> <tr> <td>EW</td> <td>8.32</td> <td>211.3</td> <td>8.11</td> <td>206</td> <td>8.32</td> <td>211.3</td> <td>8.32</td> <td>211.3</td> </tr> <tr> <td>T</td> <td>0.12</td> <td>3</td> <td>0.12</td> <td>3</td> <td>0.12</td> <td>3</td> <td>0.12</td> <td>3</td> </tr> <tr> <td>B</td> <td>0.12</td> <td>3</td> <td>0.12</td> <td>3</td> <td>0.12</td> <td>3</td> <td>0.12</td> <td>3</td> </tr> <tr> <td>L</td> <td>0.09</td> <td>2.3</td> <td>0.08</td> <td>2</td> <td>0.09</td> <td>2.3</td> <td>0.09</td> <td>2.3</td> </tr> <tr> <td>R</td> <td>0.09</td> <td>2.3</td> <td>0.08</td> <td>2</td> <td>0.09</td> <td>2.3</td> <td>0.09</td> <td>2.3</td> </tr> </tbody> </table>		Letter Size		A4 Size		14 inch Legal Size		13 inch Legal Size		inch	mm	inch	mm	inch	mm	inch	mm	PL	11	279.4	11.7	297	14	355.6	13	330.2	PW	8.5	216	8.27	210	8.5	216	8.5	216	EL	10.76	273.4	11.46	291	13.76	349.6	12.76	324.2	EW	8.32	211.3	8.11	206	8.32	211.3	8.32	211.3	T	0.12	3	0.12	3	0.12	3	0.12	3	B	0.12	3	0.12	3	0.12	3	0.12	3	L	0.09	2.3	0.08	2	0.09	2.3	0.09	2.3	R	0.09	2.3	0.08	2	0.09	2.3	0.09	2.3
	Letter Size			A4 Size		14 inch Legal Size		13 inch Legal Size																																																																																			
	inch	mm	inch	mm	inch	mm	inch	mm																																																																																			
PL	11	279.4	11.7	297	14	355.6	13	330.2																																																																																			
PW	8.5	216	8.27	210	8.5	216	8.5	216																																																																																			
EL	10.76	273.4	11.46	291	13.76	349.6	12.76	324.2																																																																																			
EW	8.32	211.3	8.11	206	8.32	211.3	8.32	211.3																																																																																			
T	0.12	3	0.12	3	0.12	3	0.12	3																																																																																			
B	0.12	3	0.12	3	0.12	3	0.12	3																																																																																			
L	0.09	2.3	0.08	2	0.09	2.3	0.09	2.3																																																																																			
R	0.09	2.3	0.08	2	0.09	2.3	0.09	2.3																																																																																			

No.	Item	Specifications																																																																																									
	2) Guaranteed printing area	<p>Guaranteed printing area</p> <table border="1" data-bbox="708 309 1342 651"> <thead> <tr> <th rowspan="2"></th> <th colspan="2">Letter Size</th> <th colspan="2">A4 Size</th> <th colspan="2">14 inch Legal Size</th> <th colspan="2">13 inch Legal Size</th> </tr> <tr> <th>inch</th> <th>mm</th> <th>inch</th> <th>mm</th> <th>inch</th> <th>mm</th> <th>inch</th> <th>mm</th> </tr> </thead> <tbody> <tr> <td>PL</td> <td>11</td> <td>279.4</td> <td>11.7</td> <td>297</td> <td>14</td> <td>355.6</td> <td>13</td> <td>330.2</td> </tr> <tr> <td>PW</td> <td>8.5</td> <td>216</td> <td>8.27</td> <td>210</td> <td>8.5</td> <td>216</td> <td>8.5</td> <td>216</td> </tr> <tr> <td>EL</td> <td>10.5</td> <td>266.7</td> <td>11.2</td> <td>284.3</td> <td>13.5</td> <td>342.9</td> <td>12.5</td> <td>317.5</td> </tr> <tr> <td>EW</td> <td>8.0</td> <td>203.2</td> <td>7.77</td> <td>197.3</td> <td>8.0</td> <td>203.2</td> <td>8.0</td> <td>203.2</td> </tr> <tr> <td>T</td> <td>0.25</td> <td>6.35</td> <td>0.25</td> <td>6.35</td> <td>0.25</td> <td>6.35</td> <td>0.25</td> <td>6.35</td> </tr> <tr> <td>B</td> <td>0.25</td> <td>6.35</td> <td>0.25</td> <td>6.35</td> <td>0.25</td> <td>6.35</td> <td>0.25</td> <td>6.35</td> </tr> <tr> <td>L</td> <td>0.25</td> <td>6.35</td> <td>0.25</td> <td>6.35</td> <td>0.25</td> <td>6.35</td> <td>0.25</td> <td>6.35</td> </tr> <tr> <td>R</td> <td>0.25</td> <td>6.35</td> <td>0.25</td> <td>6.35</td> <td>0.25</td> <td>6.35</td> <td>0.25</td> <td>6.35</td> </tr> </tbody> </table> <p><i>Note:</i> The printable area means the area allowing actual printing at the time of receiving. The guaranteed printing area means the area where the printing quality is guaranteed. These tables do not include vertical and horizontal addressing error (+/- 3 mm) of recording paper.</p>		Letter Size		A4 Size		14 inch Legal Size		13 inch Legal Size		inch	mm	inch	mm	inch	mm	inch	mm	PL	11	279.4	11.7	297	14	355.6	13	330.2	PW	8.5	216	8.27	210	8.5	216	8.5	216	EL	10.5	266.7	11.2	284.3	13.5	342.9	12.5	317.5	EW	8.0	203.2	7.77	197.3	8.0	203.2	8.0	203.2	T	0.25	6.35	0.25	6.35	0.25	6.35	0.25	6.35	B	0.25	6.35	0.25	6.35	0.25	6.35	0.25	6.35	L	0.25	6.35	0.25	6.35	0.25	6.35	0.25	6.35	R	0.25	6.35	0.25	6.35	0.25	6.35	0.25	6.35
	Letter Size			A4 Size		14 inch Legal Size		13 inch Legal Size																																																																																			
	inch	mm	inch	mm	inch	mm	inch	mm																																																																																			
PL	11	279.4	11.7	297	14	355.6	13	330.2																																																																																			
PW	8.5	216	8.27	210	8.5	216	8.5	216																																																																																			
EL	10.5	266.7	11.2	284.3	13.5	342.9	12.5	317.5																																																																																			
EW	8.0	203.2	7.77	197.3	8.0	203.2	8.0	203.2																																																																																			
T	0.25	6.35	0.25	6.35	0.25	6.35	0.25	6.35																																																																																			
B	0.25	6.35	0.25	6.35	0.25	6.35	0.25	6.35																																																																																			
L	0.25	6.35	0.25	6.35	0.25	6.35	0.25	6.35																																																																																			
R	0.25	6.35	0.25	6.35	0.25	6.35	0.25	6.35																																																																																			
13	Copy stacking	<p>The printed copies will be discharged on the stacker with printed face up or face down.</p> <p>1) Face down stacking: Up to 200 copies * 2) Face up stacking: Up to 10 copies *</p> <p><i>Note:</i> 1) Using the recommended paper, New standard 20-lb.(Xerox 4200) 2) Except 16 lb papers. 3) Face down or face up stacking is changeable by the lever.</p>																																																																																									
14	Scanning resolution	<p>Horizontal: • 300 dot/inch <i>Note:</i> 600 dpi x 15.4 mm; Copy is available.</p> <p>Vertical: Transmission mode: • 300 dot/inch, 15.4 lines/mm (EX-FINE), 7.7 lines/mm (FINE) or 3.85 lines/mm (STD)</p>																																																																																									
15	Scanning method	NA Letter size (2592-bits) direct contact image sensor																																																																																									
16	Contrast control	<p>The Light and Dark contrasts (low contrast) will be automatically enhanced to improve image quality. Slice level shifting has 3 levels of switch selection on operation panel.</p>																																																																																									

No.	Item	Specifications															
17	Recording resolution	<p>Horizontal</p> <ul style="list-style-type: none"> • 600 dot/inch <p>Vertical</p> <ul style="list-style-type: none"> • 300 dot/inch (EX-FINE), 15.4 line/mm (EX-FINE), 7.7 line/mm (FINE), or 3.85 line/mm (STD) <p>Variable:</p> <table border="1" data-bbox="778 546 1401 689"> <thead> <tr> <th></th> <th>A4</th> <th>Letter</th> </tr> </thead> <tbody> <tr> <td>STD</td> <td>3.85 ~ 4.96</td> <td>3.85 ~ 5.28</td> </tr> <tr> <td>Fine</td> <td>7.7 ~ 9.93</td> <td>7.7 ~ 10.57</td> </tr> <tr> <td>Ex-Fine (15.4 line/mm)</td> <td>15.4 ~ 19.87</td> <td>15.4 ~ 21.15</td> </tr> <tr> <td>Ex-Fine (300 dot/inch)</td> <td>300 ~ 387</td> <td>300 ~ 412</td> </tr> </tbody> </table>		A4	Letter	STD	3.85 ~ 4.96	3.85 ~ 5.28	Fine	7.7 ~ 9.93	7.7 ~ 10.57	Ex-Fine (15.4 line/mm)	15.4 ~ 19.87	15.4 ~ 21.15	Ex-Fine (300 dot/inch)	300 ~ 387	300 ~ 412
	A4	Letter															
STD	3.85 ~ 4.96	3.85 ~ 5.28															
Fine	7.7 ~ 9.93	7.7 ~ 10.57															
Ex-Fine (15.4 line/mm)	15.4 ~ 19.87	15.4 ~ 21.15															
Ex-Fine (300 dot/inch)	300 ~ 387	300 ~ 412															
18	Copy resolution	<ul style="list-style-type: none"> • STD: 200 dot/inch x 3.85 line/mm • FINE/PHOTO: 300 dot/inch x 300 dot/inch • EX-FINE: 600 dot/inch x 15.4 line/mm 															
19	Recording method	<p>Electro-photographic printing</p> <ul style="list-style-type: none"> • 211.3 mm (4992 bits) LED print head 															
20	Recording paper skewing	<p>Maximum allowable skew is + or - 1 mm over any advance of 100 mm.</p>															
21	Copy darkness	<p>1) Black image: Greater than 1.2 OD *</p> <p>2) White background (unprinted area): Not greater than 0.2 OD</p> <p><i>Note:</i> OD: (Optical density)</p>															
22	Copy uniformity	<p>Printed copies will exhibit a uniform density of printed and background areas:</p> <p>1) From edge to edge: 25%</p> <p>2) From copy to the next copy: 30%</p>															
23	Recording paper running out	<p>The fax can detect the no-paper condition by a photosensor.</p> <p>When the paper has run out in the local copy operation, the scanning will stop with "PAPER JAM" on the LCD and an ALARM LED turn on without an alarm tone.</p> <p>When the paper has run out while a message is being received and the no-paper reception is activated, the LCD display will show "MSG. IN MEMORY", and the Alarm LED turn on.</p>															
24	Minimum scan line time for receiving	<p>0 ms, when receiving in ECM mode of from an Oki Data facsimile.</p> <p>5 ms at 15.4 line/mm or 7.7 line/mm and 10 ms at 3.85 line/mm when receiving from a non-Oki Data facsimile or non-ECM mode.</p>															

No.	Item	Specifications																																			
25	Coding scheme	1) One-dimensional coding scheme: Modified Huffman (MH) 2) Two-dimensional coding scheme: Modified READ (MR) Modified Modified READ (MMR) 3) JBIG (only for OKIFAX 5900)																																			
26	Modem operations	1) High-speed Modem <ul style="list-style-type: none"> • ITU-T Rec. V.29 (9600/7200 bps) • ITU-T Rec. V.27 ter (4800/2400 bps) • ITU-T Rec. V.17 (14400/12000/9600/7200 bps) • ITU-T Rec. V.33 (14400/12000 bps) • ITU-T Rec. V.34 (33600/28800 bps) 2) Low-speed Modem <ul style="list-style-type: none"> • ITU-T Rec. V.21 channel 2 (300 bps) or equivalent 3) JBIG: Performs JBIG communication conforming to T.82/T.85 of ITU-T Rec. <i>Note:</i> Only for OKIFAX 5900, and JBIG is not performed in G4 communication. 4) ISDN G4: ITU-T Rec. T.563, T.521, T.503, T.62, T.6, T.70																																			
27	Fallback	Automatic fallback will occur according to the following sequences by FTT, RTN or PPR. <table border="1" data-bbox="699 1097 1337 1388" style="margin: 10px auto;"> <thead> <tr> <th>Fall-Back Rank</th> <th>Protocol</th> <th>Transmission Speed (bps)</th> <th>No. of Training</th> <th>RTN received</th> </tr> </thead> <tbody> <tr> <td>1st</td> <td>ITU-T V.17 (V.33)</td> <td>14400</td> <td>1</td> <td>1</td> </tr> <tr> <td>2nd</td> <td>ITU-T V.17 (V.33)</td> <td>12000</td> <td>1</td> <td>1</td> </tr> <tr> <td>3rd</td> <td>ITU-T V.17 (V.29)</td> <td>9600</td> <td>1</td> <td>1</td> </tr> <tr> <td>4th</td> <td>ITU-T V.17 (V.29)</td> <td>7200</td> <td>1</td> <td>1</td> </tr> <tr> <td>5th</td> <td>ITU-T V.27 ter.</td> <td>4800</td> <td>2</td> <td>1</td> </tr> <tr> <td>6th</td> <td>ITU-T V.27 ter.</td> <td>2400</td> <td>2</td> <td>1</td> </tr> </tbody> </table> <p>When the last trial fails, the transmitting station sends out a DCN signal to the remote station for disconnection. <i>Note:</i> <ul style="list-style-type: none"> • Modem automatically performs the fall-back depending upon the line condition. • V.34 fallback sequence: The modem automatically selects transmission speed according to the line condition. </p>	Fall-Back Rank	Protocol	Transmission Speed (bps)	No. of Training	RTN received	1st	ITU-T V.17 (V.33)	14400	1	1	2nd	ITU-T V.17 (V.33)	12000	1	1	3rd	ITU-T V.17 (V.29)	9600	1	1	4th	ITU-T V.17 (V.29)	7200	1	1	5th	ITU-T V.27 ter.	4800	2	1	6th	ITU-T V.27 ter.	2400	2	1
Fall-Back Rank	Protocol	Transmission Speed (bps)	No. of Training	RTN received																																	
1st	ITU-T V.17 (V.33)	14400	1	1																																	
2nd	ITU-T V.17 (V.33)	12000	1	1																																	
3rd	ITU-T V.17 (V.29)	9600	1	1																																	
4th	ITU-T V.17 (V.29)	7200	1	1																																	
5th	ITU-T V.27 ter.	4800	2	1																																	
6th	ITU-T V.27 ter.	2400	2	1																																	
28	Protocol	1) ITU-T Rec. T.30 2) Oki special protocol (speed protocol) The T.30 handshaking procedure will be conducted at message transmission speed instead of 300 baud, during transmission multi-page. <i>Note:</i> In High-speed protocol, V.34 is not applied. 3) ITU-T G4 Class 1 (option)																																			

No.	Item	Specifications																													
29	Image transmission time	<p>2.5 seconds at 33.6 kbps with JBIG for OKIFAX 5900 and 3.0 seconds at 33.6 kbps for OKIFAX 5700 per sheet of ITU-T No.1 evaluation test chart.</p> <p><i>Note:</i> This speed denotes the time interval corresponding to Phase C (message transmission phase) as referred to in ITU-T T.30.</p> <table border="1" data-bbox="646 481 1404 667"> <thead> <tr> <th colspan="2"></th> <th colspan="2">OKIFAX 5700</th> <th colspan="2">OKIFAX 5900</th> </tr> </thead> <tbody> <tr> <td rowspan="3">G3 Basic</td> <td rowspan="3">Procedure Time</td> <td>Initial</td> <td>8.5 sec. (V34)</td> <td>Initial</td> <td>8.5 sec. (V34)</td> </tr> <tr> <td>Intermediate</td> <td>1.0 sec. (V34)</td> <td>Intermediate</td> <td>1.0 sec. (V34)</td> </tr> <tr> <td>Final</td> <td>1.0 sec. (V34)</td> <td>Final</td> <td>1.0 sec. (V34)</td> </tr> <tr> <td rowspan="2">Image Time</td> <td>33600 Standard</td> <td>3.0 sec.</td> <td>33600 Standard</td> <td>2.5 sec.</td> </tr> <tr> <td>Fine</td> <td>4.2 sec.</td> <td>Fine</td> <td>3.5 sec.</td> </tr> </tbody> </table> <p><i>Note:</i> The above table shows the values under the following conditions:</p> <ul style="list-style-type: none"> • Sender ID: OFF • High-speed protocol: OFF • Transmission mode: Memory • Resolution: STD 			OKIFAX 5700		OKIFAX 5900		G3 Basic	Procedure Time	Initial	8.5 sec. (V34)	Initial	8.5 sec. (V34)	Intermediate	1.0 sec. (V34)	Intermediate	1.0 sec. (V34)	Final	1.0 sec. (V34)	Final	1.0 sec. (V34)	Image Time	33600 Standard	3.0 sec.	33600 Standard	2.5 sec.	Fine	4.2 sec.	Fine	3.5 sec.
		OKIFAX 5700		OKIFAX 5900																											
G3 Basic	Procedure Time	Initial	8.5 sec. (V34)	Initial	8.5 sec. (V34)																										
		Intermediate	1.0 sec. (V34)	Intermediate	1.0 sec. (V34)																										
		Final	1.0 sec. (V34)	Final	1.0 sec. (V34)																										
Image Time	33600 Standard	3.0 sec.	33600 Standard	2.5 sec.																											
	Fine	4.2 sec.	Fine	3.5 sec.																											
30	Error correction scheme (ECM)	ITU-T ECM defined in T4, T.30 are provided.																													
31	Communication mode	Half-duplex																													
32	Ringling signal detection sensitivity	<p>1) Voltage range</p> <ul style="list-style-type: none"> • 25 to 150 V r.m.s. Inoperative below 10V <p><i>Note:</i> This range may differ by the requirement of PTT.</p> <p>2) Frequency range</p> <ul style="list-style-type: none"> • 16 to 68 Hz <p><i>Note:</i> This range may differ by the requirement of PTT.</p> <p>3) Ring response time</p> <ul style="list-style-type: none"> • One-ringing signal or 5 sec, 10 sec, 15 sec, and 20 sec selectable 																													

No.	Item	Specifications																						
33	Memory capacity (Image memory)	<table border="1"> <thead> <tr> <th></th> <th>Basic model</th> <th colspan="2">Optional memory</th> </tr> </thead> <tbody> <tr> <td>OKIFAX 5700</td> <td>2.5 M-byte</td> <td colspan="2">2/4 M-byte</td> </tr> <tr> <td>OKIFAX 5900</td> <td>4.5 M-byte</td> <td colspan="2">2/4 M-byte</td> </tr> </tbody> </table>					Basic model	Optional memory		OKIFAX 5700	2.5 M-byte	2/4 M-byte		OKIFAX 5900	4.5 M-byte	2/4 M-byte								
			Basic model	Optional memory																				
		OKIFAX 5700	2.5 M-byte	2/4 M-byte																				
		OKIFAX 5900	4.5 M-byte	2/4 M-byte																				
		<table border="1"> <thead> <tr> <th rowspan="2"></th> <th rowspan="2">Memory condition</th> <th rowspan="2">OKIFAX 5700 [pages]</th> <th colspan="2">OKIFAX 5900</th> </tr> <tr> <th>Print Priority=OFF</th> <th>Print Priority=ON</th> </tr> </thead> <tbody> <tr> <td rowspan="3">With option board</td> <td>Standard (without option)</td> <td>200</td> <td>360</td> <td>340</td> </tr> <tr> <td>2 M-byte</td> <td>360</td> <td>520</td> <td>500</td> </tr> <tr> <td>4 M-byte</td> <td>520</td> <td>680</td> <td>660</td> </tr> </tbody> </table>			Memory condition	OKIFAX 5700 [pages]	OKIFAX 5900		Print Priority=OFF	Print Priority=ON	With option board	Standard (without option)	200	360	340	2 M-byte	360	520	500	4 M-byte	520	680	660	<p><i>Note1:</i> ITU-T No.1 sample document is used to count the number of sheets.</p> <p><i>Note2:</i> Memory back-up time is 72 hours (typical and Battery full charge condition) after the power off condition..</p>
	Memory condition						OKIFAX 5700 [pages]	OKIFAX 5900																
				Print Priority=OFF	Print Priority=ON																			
With option board	Standard (without option)			200	360	340																		
	2 M-byte	360	520	500																				
	4 M-byte	520	680	660																				
<p>General telephone function is available while the power is on.</p> <p><i>Note:</i> In the fax special versions, general telephone is available even when the power is off.</p>																								
<p>The heater of the fuser unit is controlled within the predetermind temperature range by the thermistor. If the temperature of the heater exceeds the range, the LCD displays "PRINTER ALARM4".</p> <p>Furethermore, the built-in thermostat in the fuser unit prevents the heater from being overheated even in the event of the failures in the above temperature control circuit.</p>																								
34	Telephone handset (option)	<p>The following three modes are supported.</p> <ol style="list-style-type: none"> 1) PC Printer function 2) PC Scanner function 3) PC FaxModem function <p><i>Note1:</i> Hardware is standard and software is option for Bi-Centro interface.</p> <p><i>Note2:</i> For details, see appendix "MFP product specification".</p>																						
35	Overheat protection	<p>The heater of the fuser unit is controlled within the predetermind temperature range by the thermistor. If the temperature of the heater exceeds the range, the LCD displays "PRINTER ALARM4".</p> <p>Furethermore, the built-in thermostat in the fuser unit prevents the heater from being overheated even in the event of the failures in the above temperature control circuit.</p>																						
36	PC interface applications (option)	<p>The heater of the fuser unit is controlled within the predetermind temperature range by the thermistor. If the temperature of the heater exceeds the range, the LCD displays "PRINTER ALARM4".</p> <p>Furethermore, the built-in thermostat in the fuser unit prevents the heater from being overheated even in the event of the failures in the above temperature control circuit.</p>																						
37	Network print service (option)	<ul style="list-style-type: none"> • This function can be used for OKIFAX 5700/5900 network printer service. The OkiHSP NIC (Network Interface Card) Ethernet Adapter used for OKIFAX 5700/5900 is originally designed for the OkiPage printers and is intended to be forward compatible with (future) products utilizing an OkiHSP compatible interface. • Installing the NIC card for OKIFAX 5700/5900 provides Network print service as an option. <p><i>Note:</i> For details, see appendix "Network Print Service"</p>																						

No.	Item	Specifications																				
38	ISDN G4 (option)	<p>The following four modes are supported.</p> <ol style="list-style-type: none"> 1) G4 function 2) ISDN G4 communication 3) ISDN G3 communication 4) ISDN Report and List <p><i>Note:</i> For details, see appendix "ISDN G4 option system specifications".</p>																				
39	Power supply unit and Power consumption of the machine	<p>Power consumption of the machine (Typical power without optional board)</p> <ol style="list-style-type: none"> 1) US/CANADA version <table border="1" data-bbox="772 640 1409 860"> <thead> <tr> <th>Mode</th> <th>Typical power (W)</th> </tr> </thead> <tbody> <tr> <td>Transmit</td> <td>28 W</td> </tr> <tr> <td>Receive</td> <td>355 W</td> </tr> <tr> <td>Local copy</td> <td>360 W</td> </tr> <tr> <td>Standby</td> <td>12 W</td> </tr> </tbody> </table> 2) INT'L version <table border="1" data-bbox="772 920 1409 1140"> <thead> <tr> <th>Mode</th> <th>Typical power (W)</th> </tr> </thead> <tbody> <tr> <td>Transmit</td> <td>28 W</td> </tr> <tr> <td>Receive</td> <td>355 W</td> </tr> <tr> <td>Local copy</td> <td>360 W</td> </tr> <tr> <td>Standby</td> <td>12 W (0.5 W)</td> </tr> </tbody> </table> <p><i>Note:</i> (): When power save mode is set to ON. Chart: ITU-T No.1</p>	Mode	Typical power (W)	Transmit	28 W	Receive	355 W	Local copy	360 W	Standby	12 W	Mode	Typical power (W)	Transmit	28 W	Receive	355 W	Local copy	360 W	Standby	12 W (0.5 W)
Mode	Typical power (W)																					
Transmit	28 W																					
Receive	355 W																					
Local copy	360 W																					
Standby	12 W																					
Mode	Typical power (W)																					
Transmit	28 W																					
Receive	355 W																					
Local copy	360 W																					
Standby	12 W (0.5 W)																					

No.	Item	Specifications			
40	Ambient condition	Temperature and Humidity			
		In operation	Power off mode	During Storage	Unit
	Temperature	50 - 90 (10 - 32)	32 - 110 (0 - 43)	14 - 110 (-10 - 43)	°F (°C)
	Humidity	20 - 80	10 - 90	10 -90	%RH
	Maximum wet bulb temperature	77 (25)	80.4 (26.8)	—————	°F (°C)
	Minimum difference between wet and dry bulb temperatures	35.6 (2)	35.6 (2)	—————	°F (°C)
		<p data-bbox="359 750 1340 817">1. Storage conditions specified above apply to the machine in packed condition. 2. Temperature and humidity must be in the range where no condensation occurs.</p>			
41	Dimension (Main body)	<p data-bbox="694 896 1045 996">1) Width: Approx. 360 mm 2) Depth: Approx. 472 mm 3) Height: Approx. 352 mm</p>			
42	Weight (Main body)	<p data-bbox="694 1019 1284 1086">Approx. 14 kg Excluding recording paper and packing materials.</p>			
43	Attachment (to the main body)	<p data-bbox="694 1120 1204 1344">1) AC power cord x 1 2) I/D unit x 1 (Already installed) 3) Toner cartridge x 1 4) Telephone line cord x 1 5) Document stacker x 1 6) One touch sheet x 1 (Already installed) 7) User's guide x 1</p>			

1.6 Reports and Lists

Table 1.6.1 shows Report and Lists Specifications.

Table 1.6.1 Report and Lists Specifications

No.	Item	Specifications
1	Active memory files	This report will be manually or automatically printed out for information of transmission/reception data stored in the memory. When there is no stored image data in the memory at all, the Active memory files is not printed out. (MENU key \emptyset Report Print) See Fig. 1-6-1-1 to Fig. 1-6-1-3
2	Activity report	The fax can print out an activity report manually, and provides of fax machine's last 30 communications. The report does not contain the results of messages which were received without errors. However, it does contain messages received in memory with or without errors. (MENU key \emptyset Report Print) See Fig. 1-6-2
3	Message confirmation report	This report will be manually or automatically printed out after completion of memory transmission. 1) Manual print By pressing the ENTER key after a communication. 2) Automatic printout When the Report Options (to enable or disable automatic printing after a communication) is set to Enable. • Single location: (MENU key \emptyset SETUP \emptyset Report Options: No.70) • Multi location: (MENU key \emptyset SETUP \emptyset Report Options: No.71) See Fig. 1-6-3-1 and Fig. 1-6-3-2
4	Broadcast entry report	This report will be manually printed out if specified during operating sequence of a broadcast. See Fig. 1-6-4-1 and Fig. 1-6-4-5
5	Broadcast confirmation report	This report will be manually or automatically printed out the broadcast confirmation report. (MENU key \emptyset Report Print) See Fig. 1-6-5-1 to Fig. 1-6-5-5
6	Configuration report	This report will be manually printed out for maintenance purpose. (MENU key \emptyset Report Print) See Fig. 1-6-6-1 to Fig. 1-6-6-5
7	Telephone directory	This report will be manually printed out and print destinations registered only. (MENU key \emptyset Report Print) See Fig. 1-6-7-1 to Fig. 1-6-7-14

No.	Item	Specifications
8	Power outage report	If received communications are lost due to power failure, this report is printed out automatically at power recovery. The information printed on the Power outage report is not printed out on the Activity report. See Fig. 1-6-8
9	Confidential reception report	This report will be informed operator about a stored confidential messages in the memory and automatically printed out. See Fig. 1-6-9
10	Protocol dump (G3)	This report will be manually printed out for maintenance purpose. If the previous communication is G3, G3 communication protocol dump is printed out. (MENU key \emptyset Report Print) See Fig. 1-6-10-1 and Fig. 1-6-10-2
11	Self-diagnosis report	This report will be manually printed out for maintenance purpose. (To check ROMs, RAMs and Printing function.) (MENU key \emptyset RESOLUTION key twice \emptyset Technical PRG \emptyset Local Test \emptyset Self-diagnosis) See Fig. 1-6-11-1 and Fig. 1-6-11-2
12	Log report	This report will be manually printed out for fault analysis. (MENU key \emptyset Report Print) See Fig. 1-6-12
13	Function list	This list can be printed out manually from the report operation. This list is printed out user function only and does not print technical function. (MENU key \emptyset Report Print) See Fig. 1-6-13-1 to Fig. 1-6-13-6
14	Group directory	This list can be printed out manually for a selected group only (Group #1 to #20) through operation. This list cannot output all group at a time. If Group is omitted, report will not be printed out. (MENU: No.8 \emptyset Report Print: No.4) See Fig.1-6-14-1 to Fig. 1-6-14-4
15	Protocol dump (G4)	This report will be manually printed out for maintenance purpose. If it is G4, the G4 communication protocol dump is printed out. (MENU: No.8 \emptyset Report Print: No.8) See Fig. 1-6-15-1 and Fig. 1-6-15-2
16	NIC (Network Interface Card) configuration	This report will be manually printed out for maintenance purpose. (MENU: No.8 \emptyset Report Print: No.9) See Fig. 1-6-16-1 and Fig. 1-6-16-2 This report is not available for localization.

ACTIVE MEMORY FILES P1

12/24/1998 19:10
ID=ODS

RECEPTION
ENTRIES PAGES
05 020

TRANSMISSION				
DATE	TIME	DISTANT STATION ID	MODE	PAGES
12/24	13:00	OKI DATA SYS-1	CALLING	003
12/24	12:03	OKI DATA SYS-2	CALLING	001
12/24	13:00	OKI DATA SYS-3	CALLING	002
12/24	13:05	OKI DATA SYS-4	CALLING	002
12/24	14:00	OKI DATA SYS-5	CALLING	002
12/24	14:30	OKI DATA SYS-6	CALLING	002
12/24	15:10	OKI DATA SYS-7	CALLING	002
12/24	15:15	OKI DATA SYS-8	CALLING	002
12/24	15:30	OKI DATA SYS-9	CALLING	002
12/24	15:50	OKI DATA SYS-10	CALLING	002
12/24	16:10	OKI DATA SYS-11	CALLING	002
12/24	16:30	OKI DATA SYS-12	CALLING	002
12/24	16:50	OKI DATA SYS-13	CALLING	002
12/24	17:00	OKI DATA SYS-14	CALLING	002
12/24	17:10	OKI DATA SYS-15	CALLING	002
12/24	17:30	OKI DATA SYS-16	CALLING	002
12/24	17:42	OKI DATA SYS-17	CALLING	002
12/24	17:50	OKI DATA SYS-18	CALLING	002
12/24	17:59	OKI DATA SYS-19	CALLING	002
12/24	18:00	OKI DATA SYS-20	CALLING	002
12/24	18:10	OKI DATA SYS-21	CALLING	002
12/24	18:20	OKI DATA SYS-22	CALLING	002
12/24	18:20	OKI DATA SYS-23	CALLING	002
12/24	18:20	OKI DATA SYS-24	CALLING	002
12/24	18:30	OKI DATA SYS-25	CALLING	002
12/24	18:32	OKI DATA SYS-26	CALLING	002
12/24	18:35	OKI DATA SYS-27	CALLING	002
12/24	18:40	OKI DATA SYS-28	CALLING	002
12/24	18:42	OKI DATA SYS-29	CALLING	002
12/24	18:45	OKI DATA SYS-30	CALLING	002
12/24	18:50	OKI DATA SYS-31	CALLING	002
12/24	18:52	OKI DATA SYS-32	CALLING	002
12/24	18:53	OKI DATA SYS-33	CALLING	002
12/24	18:55	OKI DATA SYS-34	CALLING	002
12/24	18:57	OKI DATA SYS-35	CALLING	002
12/24	18:59	OKI DATA SYS-36	CALLING	002
12/24	19:00	OKI DATA SYS-37	CALLING	002
12/24	19:00	OKI DATA SYS-38	CALLING	002

POLLING TX/RX				
DATE	TIME	DISTANT STATION ID	MODE	PAGES
12/24	12:05	123456789012345678901234	POLLING	003

Fig. 1-6-1-1 Active Memory Files P1 (In case of more than 1 page)

ACTIVE MEMORY FILES P2

12/24/1998 19:10
ID=ODS

PERSONALBOX BOX NO.	MODE	ENTRIES	PAGES
01	CONF	03	020
02	CONF	01	002
03	CONF	01	005
04	CONF	01	005
05	POLL	01	005
06	POLL	01	005
07	POLL	01	005
08	POLL	01	005
09	POLL	01	005
10	POLL	01	005
11	POLL	01	005
12	POLL	01	005
13	POLL	01	005
14	POLL	01	005
15	POLL	01	005
16	POLL	01	005

Fig. 1-6-1-2 Active Memory Files P2 (In case of more than 1 page)

ACTIVE MEMORY FILES

12/24/1998 19:10
ID=ODS

RECEPTION
ENTRIES PAGES
05 020

DATE	TIME	DISTANT STATION ID	MODE	PAGES
12/24	13:00	OKI DATA SYS-1	CALLING	003
12/24	15:30	OKI DATA SYS-9	CALLING	002
12/24	15:50	OKI DATA SYS-10	CALLING	002
12/24	16:10	OKI DATA SYS-11	CALLING	002
12/24	16:30	OKI DATA SYS-12	CALLING	002
12/24	16:50	OKI DATA SYS-13	CALLING	002
12/24	18:52	OKI DATA SYS-32	CALLING	002
12/24	18:53	OKI DATA SYS-33	CALLING	002

DATE	TIME	DISTANT STATION ID	MODE	PAGES
12/24	12:05	123456789012345678901234	POLLING	003

BOX NO.	MODE	ENTRIES	PAGES
01	CONF	03	020
02	CONF	01	002
03	CONF	01	005
04	CONF	01	005
05	POLL	01	005
06	POLL	01	005
07	POLL	01	005
08	POLL	01	005
14	POLL	01	005
15	POLL	01	005
16	POLL	01	005

Fig. 1-6-1-3 Active Memory Files (In case of within 1 page)

- (1) Title of the report
- (2) Date and time when the report was printed
- (3) Sender ID
- (4) RECEPTION (Memory reception)
 - Prints the information of no paper/no toner reception
 - Entries is the number of received communication times stored in the memory.
 - Pages is the number of total pages of the reception messages stored in the memory.
- (5) TRANSMISSION (Delayed transmission, standby of redial, Batch TX)
 - Prints the information of Delay memory transmission and Redial. However, Polling RX information is printed out on the below item 6.
 - Prints the communication date and time, distant station ID, Mode and Pages
- (6) POLLING TX/RX
 - Prints the information of Polling RX or Polling TX.
 - Polling TX prints Mode column and number of read pages. When Feeder Polling TX, the number of read pages is a blank.
 - Polling RX prints the communication date and time, distant station ID and Mode.
- (7) PERSONAL BOX (Confidential, Bulletin Poll)
 - Prints the opened condition of Personal Box.
 - Mode shows the type of Box.
 - Entries prints the number of receipt times stored in the memory.
 - Pages prints the number of total pages of each Box.

ACTIVITY REPORT

12/24/1998 17:05
ID=OKI

TOTAL TIME		CALLING=08:22'		CALLED=17:39'			
DATE	TIME	S,R-TIME	DISTANT STATION ID	MODE	PAGES	RESULT	
12/15	10:10	00'00"	123456789012345678901234	CALLING	000	ND	90C1
12/15	10:30	00'00"	ODSTAKASAKI	CALLING	000	STOP	9080
12/15	12:05	01'20"	OKI FAX	CALLING	000	STOP	9080
12/15	13:00	00'20"	03-5476-4300	CALLING	000	ND	90C1
12/15	15:40	03'25"	ODSTAKASAKI	CONF=01	003	CK	0000*1
12/22	10:00	00'00"	OKI FAX		001	CK	0000*2
12/22	10:00	02'00"	OKI SHIBAURA	CALLED	005	ND	908E
12/22	10:22	00'12"	0495-22-5400	CALLING	000	STOP	9080
12/22	10:50	00'20"	0495-22-5400	CALLED	003	ND	9090
12/22	12:05	00'20"	OKI FAX	CALLING	000	STOP	9080
12/22	15:00	01'30"		CALLED	003	CK	0000*3
12/22	15:30	00'20"		CALLING	001	CK	0000
12/22	17:05	00'20"		B.C.		COMP.	60A0*4
12/22	19:04	00'20"	03-5476-4300	CALLING	000	STOP	9080
12/23	09:00	01'11"	Oki Data	CALLING-G4	002	CK	0000*5
12/23	10:20	00'20"	03-5476-4300	POLLED	003	CK	9080*6
12/23	10:35	02'23"		CONF=01	002	CK	0000
12/23	10:35	02'23"		CALLED	002	CK	0000
12/24	13:00	00'20"	03-5476-4300		004	ND	9082
12/24	10:36	01'10"	ODSFUKUSHIMA	POLL=01	002	CK	0000*7
12/24	13:00	01'00"	OKI DATA SYS	POLLED	001	CK	0000

*1: Confidential reception
*2: Manual TX
*3: Memory reception
*4: Broadcast TX
*5: G4 TX
*6: Polling TX
*7: Bulletin poll TX

Fig. 1-6-2 Activity Report

- (1) Title of the report
- (2) Date and time when the report was printed.
- (3) Sender ID
- (4) Total TX and total RX time
- (5) Date of transmission or reception
- (6) Time when the communication started
- (7) Length of time for which the OKIFAX 5700/5900 was connected to the line
- (8) Identification of the remote station
 - Personal ID/CSI(TSI)/Location ID/Dial number/Called TID/Calling TID
- (9) Mode of the communication
 - CALLING/CALLED(Memory reception)/ CONF=XX(Confidential reception)/ B.C.(Broadcast TX)/ POLLED(Polling TX)/POLL=XX(Bulletin Poll TX)/CALLING-G4(G4 TX)/FWD-T/FWD-R/BATCH
 - XX=Box No.
- (10) Total number of pages
- (11) Result of the communication
 - OK/NO/STOP/BUSY/PAPER/COMP(Completion of a broadcast)/S JAM/R JAM/ COVER/CANCEL/PUNIT
- (12) Service code

MESSAGE CONFIRMATION

12/24/1998 17:05
ID=OKI

DATE	S,R-TIME	DISTANT STATION ID	MODE	PAGES	RESULT	
12/24	0'20"	123456789012345678901234	CALLING	002	OK	0000

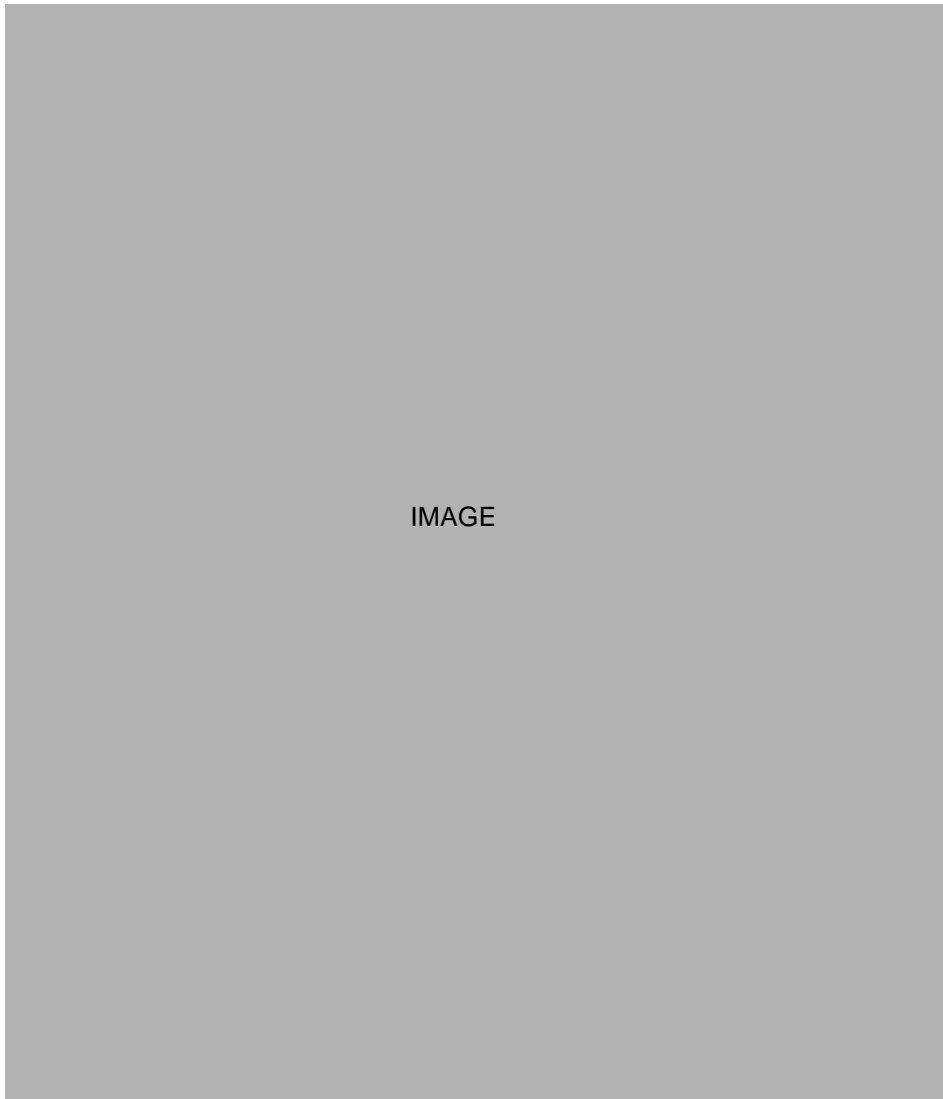


Fig. 1-6-3-1 Message Confirmation (When the transmission is normal end.)

MESSAGE CONFIRMATION

Printed only when Error page

12/24/1998 17:05
ID=OKI

DATE	S.R-TIME	DISTANT STATION ID	MODE	PAGES	RESULT
12/24	0'20"	123456789012345678901234	CALLING	002	OK 0000

POSSIBLE_ERROR_PAGE:*001*002

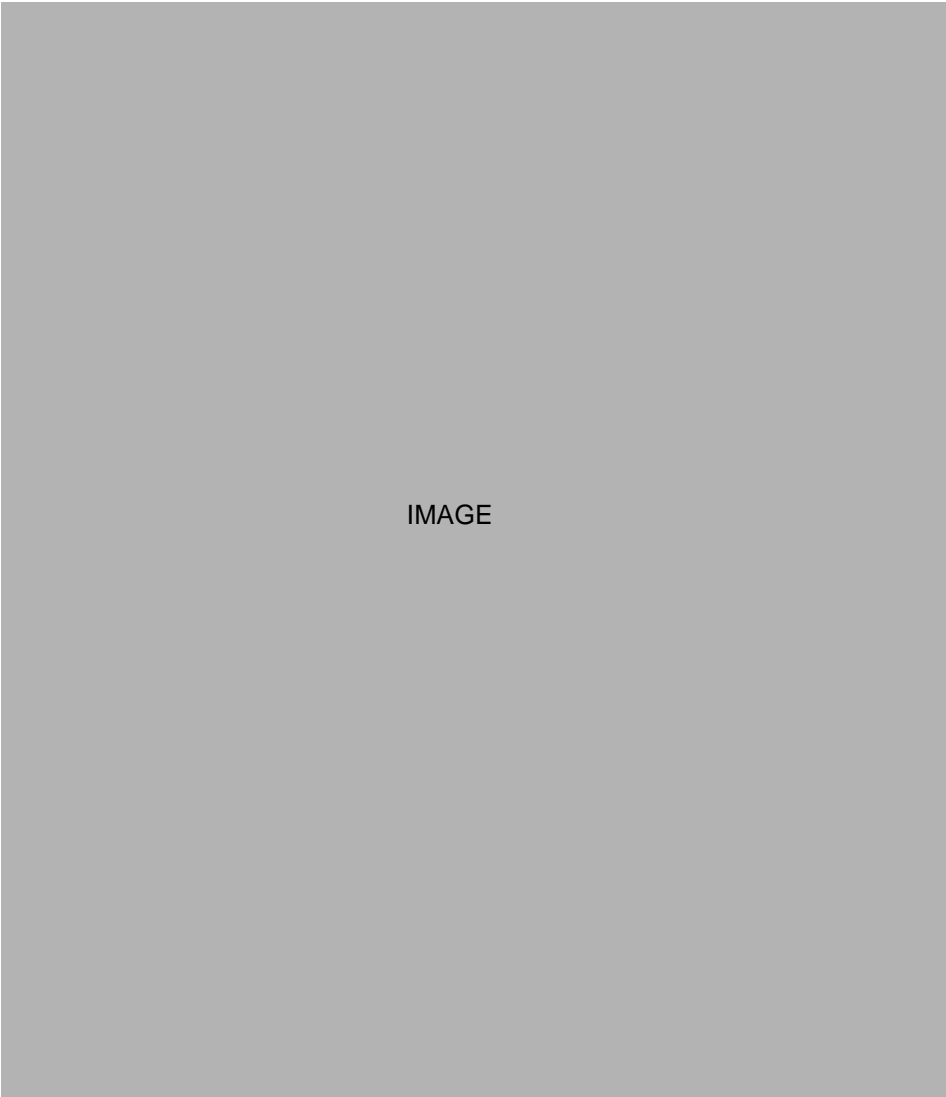


Fig. 1-6-3-2 Message Confirmation (Error report)

- (1) Title of the report
- (2) Date and time when the report was printed.
- (3) Sender ID
- (4) Total TX and total RX time
- (5) Date of transmission or reception
- (6) Time when the communication started
- (7) Length of time for which the OKIFAX 5700/5900 was connected to the line
- (8) Identification of the remote station
 - Personal ID/CSI(TSI)/Location ID/Dial number/Called TID/Calling TID
- (9) Mode of the communication
 - CALLING/CALLED(Memory reception)/CONF=XX(Confidential reception)/
B.C.(Broadcast TX)/POLLED(Polling TX)/POLL=XX(Bulletin Poll TX)/CALLING-G4(G4
TX)/FWD-T/FWD-R/BATCH
XX=Box No.
- (10) Total number of pages
- (11) Result of the communication
 - OK/NO/STOP/BUSY/PAPER/COMP(Completion of a broadcast)/S JAM/RJAM/
*COVER/CANCEL/PUNIT
- (12) Service code
- (13) Message
- (14) Fig. 1-6-3-2 (error report)
 - Number of pages stored in memory
Page number is printed only in case transmission from memory is carried out.
 - Page numbers of the pages to which an RTN signal or PIN signal received.
The asterisk (*) mark indicates that retransmission of the page met the criteria of copy
quality.

BROADCAST ENTRY REPORT P1

12/24/1998 17:04
ID=OKI TAKASAKI

LOCATION ID	LOCATION ID
1=1234567890123456789012345678901234567890	2=1234567890123456789012345678901234567890
3=OKI-SHIBAURA	4=OKI-SHIBAURA
5=FX-050	6=FX-175
7=FX-175VP-ENHANC	8=FX-056
9=OKIFAX450	10=OKIFAX460M
11=M125INTL	12=M125-US
13=OKIFAX5600	14=OKIFAX1050
15=OKIFAX1000	16=OKIFAX2200
17=OF-3GX	18=115AD
19=2275	20=OF-8
21=OF-18	22=OF-58H
23=M4200	24=5400
25=OF-2B	26=OF-1
27=OF-21	28=2127
29=OF-12M	30=OF-55M
31=M5600	32=ABCDEFGHIJKLMNO
33=OKIDATA-0000	34=OKIDATA-0001
35=OKIDATA-0003	36=OKIDATA-0004
37=OKIDATA-0006	38=OKIDATA-0007
39=OKIDATA-0009	40=OKIDATA-000A

101=OKIDATA-0001	102=OKIDATA-0002
103=OKIDATA-0003	104=OKIDATA-0004
105=OKIDATA-0005	106=OKIDATA-0006
107=OKIDATA-0007	108=OKIDATA-0008
109=OKIDATA-0009	110=OKIDATA-000A
111=OKIDATA-000B	112=OKIDATA-000C
113=OKIDATA-000D	114=OKIDATA-000E
115=OKIDATA-000F	116=OKIDATA-0010
117=OKIDATA-0011	118=OKIDATA-0012
119=OKIDATA-0013	120=OKIDATA-0014
121=OKIDATA-0015	122=OKIDATA-0016
123=OKIDATA-0017	124=OKIDATA-0018
125=OKIDATA-0019	126=OKIDATA-001A
127=OKIDATA-001B	128=OKIDATA-001C
129=OKIDATA-001D	130=OKIDATA-001E
131=OKIDATA-001F	132=OKIDATA-0020
133=OKIDATA-0021	134=OKIDATA-0022
135=OKIDATA-0023	136=OKIDATA-0024
137=OKIDATA-0025	138=OKIDATA-0026
139=OKIDATA-0027	140=OKIDATA-0028

Fig. 1-6-4-1 Broadcast Entry Report for OKIFAX 5700 (1/2)

BROADCAST ENTRY REPORT P2

12/24/1998 17:04
ID=OKI TAKASAKI

LOCATION ID

KEYPAD

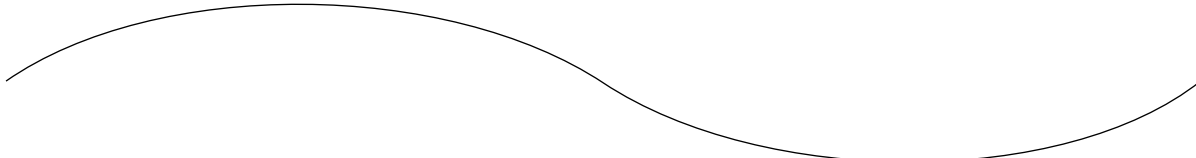
1234567890123456789012345678901234567890
1234567890123456789012345678901234567890
1234567890123456789012345678901234567890
1234567890123456789012345678901234567890
1234567890123456789012345678901234567890
1234567890123456789012345678901234567890
1234567890123456789012345678901234567890
1234567890123456789012345678901234567890
1234567890123456789012345678901234567890
1234567890123456789012345678901234567890

Fig. 1-6-4-2 Broadcast Entry Report for OKIFAX 5700 (2/2)

BROADCAST ENTRY REPORT P1

12/24/1998 17:04
ID=OKI TAKASAKI

LOCATION ID	LOCATION ID
1=1234567890123456789012345678901234567890	2=1234567890123456789012345678901234567890
3=OKI-SHIBAURA	4=OKI-SHIBAURA
5=FX-050	6=FX-175
7=FX-175VP-ENHANC	8=FX-056
9=OKIFAX450	10=OKIFAX460M
11=M125INTL	12=M125-US
13=OKIFAX5600	14=OKIFAX1050
15=OKIFAX1000	16=OKIFAX2200
17=OF-3GX	18=115AD
19=2275	20=OF-8
21=OF-18	22=OF-58H
23=M4200	24=5400
25=OF-2B	26=OF-1
27=OF-21	28=2127
29=OF-12M	30=OF-55M
31=M5600	32=ABCDEFGHIJKLMNO
33=OKIDATA-0000	34=OKIDATA-0001
35=OKIDATA-0003	36=OKIDATA-0004
37=OKIDATA-0006	38=OKIDATA-0007
39=OKIDATA-0009	40=OKIDATA-000A



101=OKIDATA-0001	102=OKIDATA-0002
103=OKIDATA-0003	104=OKIDATA-0004
105=OKIDATA-0005	106=OKIDATA-0006
107=OKIDATA-0007	108=OKIDATA-0008
109=OKIDATA-0009	110=OKIDATA-000A
111=OKIDATA-000B	112=OKIDATA-000C
113=OKIDATA-000D	114=OKIDATA-000E
115=OKIDATA-000F	116=OKIDATA-0010
117=OKIDATA-0011	118=OKIDATA-0012
119=OKIDATA-0013	120=OKIDATA-0014
121=OKIDATA-0015	122=OKIDATA-0016
123=OKIDATA-0017	124=OKIDATA-0018
125=OKIDATA-0019	126=OKIDATA-001A
127=OKIDATA-001B	128=OKIDATA-001C
129=OKIDATA-001D	130=OKIDATA-001E
131=OKIDATA-001F	132=OKIDATA-0020
133=OKIDATA-0021	134=OKIDATA-0022
135=OKIDATA-0023	136=OKIDATA-0024
137=OKIDATA-0025	138=OKIDATA-0026
139=OKIDATA-0027	140=OKIDATA-0028

Fig. 1-6-4-3 Broadcast Entry Report for OKIFAX 5900 (1/2)

BROADCAST ENTRY REPORT P2

12/24/1998 17:04
ID=OKI TAKASAKI

LOCATION ID	LOCATION ID
141=KAI-EIGYOU-INTL	142=KAI-EIGYOU-GBR
143=KAI-EIGYOU-NOR	144=KAI-EIGYOU-SWE
145=KAI-EIGYOU-DEN	146=KAI-EIGYOU-GER
147=KAI-EIGYOU-TCH	148=KAI-EIGYOU-POL
149=KAI-EIGYOU-AUT	150=KAI-EIGYOU-BEL
151=KAI-EIGYOU-FRE	152=KAI-EIGYOU-ESP
153=KAI-EIGYOU-GRE	154=KAI-EIGYOU-AUS
155=KAI-EIGYOU-SIN	156=KAI-EIGYOU-HNG
157=KAI-SISYA-INTL	158=KAI-SISYA-GBR
159=KAI-SISYA-NOR	160=KAI-SISYA-SWE
161=KAI-SISYA-DEN	162=KAI-SISYA-GER
163=KAI-SISYA-TCH	164=KAI-SISYA-POL
165=KAI-SISYA-AUT	166=KAI-SISYA-BEL
167=KAI-SISYA-FRE	168=KAI-SISYA-ESP
169=KAI-SISYA-GRE	170=KAI-SISYA-AUS
171=KAI-SISYA-SIN	172=KAI-SISYA-HNG
173=OKI DATA USA	174=OKI DATA INTL
175=OKI DATA BGR	176=OKI DATA IRL
177=OKI DATA NOR	178=OKI DATA SWE

221=ABCDEFGHJIJ12345	222=ABCDEFGHJIJ23456
223=ABCDEFGHJIJ34567	224=ABCDEFGHJIJ45678
225=ABCDEFGHJIJ56789	226=ABCDEFGHJIJ67890
227=ABCDEFGHJIJ78901	228=ABCDEFGHJIJ89012
229=ABCDEFGHJIJ90123	230=ABCDEFGHJIJ01234

KEYPAD

1234567890123456789012345678901234567890
1234567890123456789012345678901234567890
1234567890123456789012345678901234567890
1234567890123456789012345678901234567890
1234567890123456789012345678901234567890
1234567890123456789012345678901234567890
1234567890123456789012345678901234567890
1234567890123456789012345678901234567890
1234567890123456789012345678901234567890
1234567890123456789012345678901234567890

Fig. 1-6-4-4 Broadcast Entry Report for OKIFAX 5900 (2/2)

BROADCAST ENTRY REPORT

12/24/1998 17:04
ID=OKI TAKASAKI

LOCATION ID	LOCATION ID
1=1234567890123456789012345678901234567890 100=OKI-SHIBAURA	50=1234567890123456789012345678901234567890

KEYPAD

1234567890123456789012345678901234567890
1234567890123456789012345678901234567890
1234567890123456789012345678901234567890
1234567890123456789012345678901234567890
1234567890123456789012345678901234567890
1234567890123456789012345678901234567890
1234567890123456789012345678901234567890
1234567890123456789012345678901234567890
1234567890123456789012345678901234567890
1234567890123456789012345678901234567890

Fig. 1-6-4-5 Broadcast Entry Report (When the destination of Broadcast TX is specified by Speed Dial No.1, No.50, and No.100)

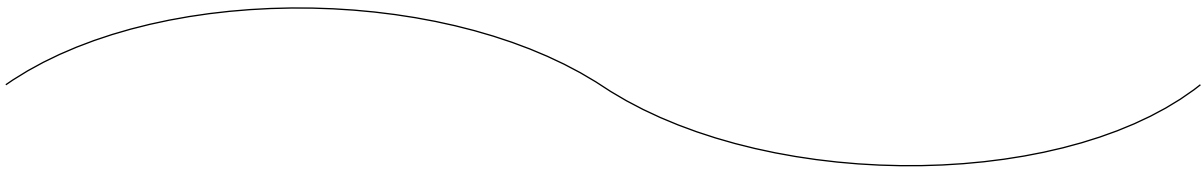
- (1) Title of the report
- (2) Date and time when the report was printed
- (3) Sender ID
- (4) Required transmission address (Speed dial)
- (5) Registered location ID
- (6) Required transmission address (Ten key dial)

BROADCAST CONFIRMATION REPORT P1

12/24/1998 19:22
ID=OKI

PAGES = 001
START TIME = 12/24 17:22
TOTAL TIME = 1:22'22"

LOCATION ID	PAGES	RESULT	LOCATION ID	PAGES	RESULT
1=OKIDATA SYS1	001	OK	2=OKI DATA SYS2	001	OK
3=OKIDATA SYS3	001	OK	4=OKI DATA SYS4	001	OK
5=OKIDATA SYS5	001	OK	6=OKI DATA SYS6	001	OK
7=OKIDATA SYS7	001	OK	8=OKI DATA SYS8	001	OK
9=OKIDATA SYS9	001	OK	10=OKI DATA SYS10	001	OK
11=OKIDATA SYS11	001	OK	12=OKI DATA SYS12	001	OK
13=OKIDATA SYS13	001	OK	14=OKI DATA SYS14	001	OK
15=OKIDATA SYS15	001	OK	16=OKI DATA SYS16	001	OK
17=OKIDATA SYS17	001	OK	18=OKI DATA SYS18	001	OK
19=OKIDATA SYS19	001	OK	20=OKI DATA SYS20	001	OK
21=OKIDATA SYS21	001	OK	22=OKI DATA SYS22	001	OK
23=OKIDATA SYS23	001	OK	24=OKI DATA SYS24	001	OK
25=OKIDATA SYS25	001	OK	26=OKI DATA SYS26	001	OK
27=OKIDATA SYS27	001	OK	28=OKI DATA SYS28	001	OK
29=OKIDATA SYS29	001	OK	30=OKI DATA SYS30	001	OK
31=OKIDATA SYS31	001	OK	32=OKI DATA SYS32	001	OK
33=OKIDATA SYS33	001	OK	34=OKI DATA SYS34	001	OK
35=OKIDATA SYS35	001	OK	36=OKI DATA SYS36	001	OK
37=OKIDATA SYS37	001	OK	38=OKI DATA SYS38	001	OK
39=OKIDATA SYS39	001	OK	40=OKI DATA SYS40	001	OK



93=OKIDATA SYS93	001	OK	94=OKI DATA SYS94	001	OK
95=OKIDATA SYS95	001	OK	96=OKI DATA SYS96	001	OK
97=OKIDATA SYS97	001	OK	98=OKI DATA SYS98	001	OK
99=OKIDATA SYS99	001	OK	100=OKI DATA SYS100	001	OK
101=OKIDATA SYS101	001	OK	102=OKI DATA SYS102	001	OK
103=OKIDATA SYS103	001	OK	104=OKI DATA SYS104	001	OK
105=OKIDATA SYS105	001	OK	106=OKI DATA SYS106	001	OK
107=OKIDATA SYS107	001	OK	108=OKI DATA SYS108	001	OK
109=OKIDATA SYS109	001	OK	110=OKI DATA SYS110	001	OK
111=OKIDATA SYS111	001	OK	112=OKI DATA SYS112	001	OK
113=OKIDATA SYS113	001	OK	114=OKI DATA SYS114	001	OK
115=OKIDATA SYS115	001	OK	116=OKI DATA SYS116	001	OK
117=OKIDATA SYS117	001	OK	118=OKI DATA SYS118	001	OK
119=OKIDATA SYS119	001	OK	120=OKI DATA SYS120	001	OK
121=OKIDATA SYS121	001	OK	122=OKI DATA SYS122	001	OK
123=OKIDATA SYS123	001	OK	124=OKI DATA SYS124	001	OK
125=OKIDATA SYS125	001	OK	126=OKI DATA SYS126	001	OK
127=OKIDATA SYS127	001	OK	128=OKI DATA SYS128	001	OK
129=OKIDATA SYS129	001	OK	130=OKI DATA SYS130	001	OK
131=OKIDATA SYS131	001	OK	132=OKI DATA SYS132	001	OK
133=OKIDATA SYS133	001	OK	134=OKI DATA SYS134	001	OK
135=OKIDATA SYS135	001	OK	136=OKI DATA SYS136	001	OK
137=OKIDATA SYS137	001	OK	138=OKI DATA SYS138	001	OK
139=OKIDATA SYS139	001	OK	140=OKI DATA SYS140	001	OK

Fig. 1-6-5-1 Broadcast Confirmation Report P1 for OKIFAX 5700

BROADCAST CONFIRMATION REPORT P2

12/24/1998 19:22
ID=OKI

LOCATION ID	PAGES	RESULT
KEYPAD		
123456789012345678901234	001	OK
123456789012345678901234	001	OK
123456789012345678901234	001	OK
123456789012345678901234	001	OK
123456789012345678901234	001	OK
123456789012345678901234	001	OK
123456789012345678901234	001	OK
123456789012345678901234	001	OK
123456789012345678901234	001	OK
123456789012345678901234	001	OK

Fig. 1-6-5-2 Broadcast Confirmation Report P2 for OKIFAX 5700

BROADCAST CONFIRMATION REPORT P1

12/24/1998 19:22
ID=OKI

PAGES = 001
START TIME = 12/24 17:22
TOTAL TIME = 1:22'22"

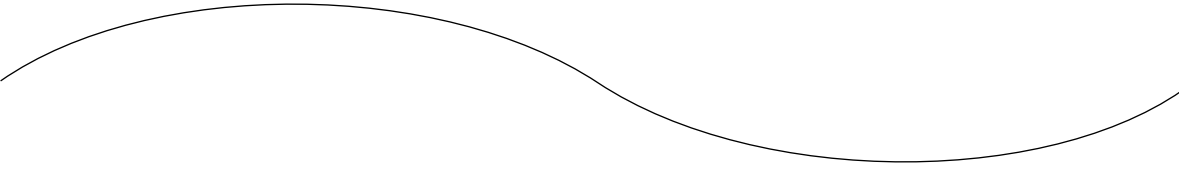
LOCATION ID	PAGES	RESULT	LOCATION ID	PAGES	RESULT
1=OKIDATA SYS1	001	OK	2=OKI DATA SYS2	001	OK
3=OKIDATA SYS3	001	OK	4=OKI DATA SYS4	001	OK
5=OKIDATA SYS5	001	OK	6=OKI DATA SYS6	001	OK
7=OKIDATA SYS7	001	OK	8=OKI DATA SYS8	001	OK
9=OKIDATA SYS9	001	OK	10=OKI DATA SYS10	001	OK
11=OKIDATA SYS11	001	OK	12=OKI DATA SYS12	001	OK
13=OKIDATA SYS13	001	OK	14=OKI DATA SYS14	001	OK
15=OKIDATA SYS15	001	OK	16=OKI DATA SYS16	001	OK
17=OKIDATA SYS17	001	OK	18=OKI DATA SYS18	001	OK
19=OKIDATA SYS19	001	OK	20=OKI DATA SYS20	001	OK
21=OKIDATA SYS21	001	OK	22=OKI DATA SYS22	001	OK
23=OKIDATA SYS23	001	OK	24=OKI DATA SYS24	001	OK
25=OKIDATA SYS25	001	OK	26=OKI DATA SYS26	001	OK
27=OKIDATA SYS27	001	OK	28=OKI DATA SYS28	001	OK
29=OKIDATA SYS29	001	OK	30=OKI DATA SYS30	001	OK
31=OKIDATA SYS31	001	OK	32=OKI DATA SYS32	001	OK
33=OKIDATA SYS33	001	OK	34=OKI DATA SYS34	001	OK
35=OKIDATA SYS35	001	OK	36=OKI DATA SYS36	001	OK
37=OKIDATA SYS37	001	OK	38=OKI DATA SYS38	001	OK
39=OKIDATA SYS39	001	OK	40=OKI DATA SYS40	001	OK
					
93=OKIDATA SYS93	001	OK	94=OKI DATA SYS94	001	OK
95=OKIDATA SYS95	001	OK	96=OKI DATA SYS96	001	OK
97=OKIDATA SYS97	001	OK	98=OKI DATA SYS98	001	OK
99=OKIDATA SYS99	001	OK	100=OKI DATA SYS100	001	OK
101=OKIDATA SYS101	001	OK	102=OKI DATA SYS102	001	OK
103=OKIDATA SYS103	001	OK	104=OKI DATA SYS104	001	OK
105=OKIDATA SYS105	001	OK	106=OKI DATA SYS106	001	OK
107=OKIDATA SYS107	001	OK	108=OKI DATA SYS108	001	OK
109=OKIDATA SYS109	001	OK	110=OKI DATA SYS110	001	OK
111=OKIDATA SYS111	001	OK	112=OKI DATA SYS112	001	OK
113=OKIDATA SYS113	001	OK	114=OKI DATA SYS114	001	OK
115=OKIDATA SYS115	001	OK	116=OKI DATA SYS116	001	OK
117=OKIDATA SYS117	001	OK	118=OKI DATA SYS118	001	OK
119=OKIDATA SYS119	001	OK	120=OKI DATA SYS120	001	OK
121=OKIDATA SYS121	001	OK	122=OKI DATA SYS122	001	OK
123=OKIDATA SYS123	001	OK	124=OKI DATA SYS124	001	OK
125=OKIDATA SYS125	001	OK	126=OKI DATA SYS126	001	OK
127=OKIDATA SYS127	001	OK	128=OKI DATA SYS128	001	OK
129=OKIDATA SYS129	001	OK	130=OKI DATA SYS130	001	OK
131=OKIDATA SYS131	001	OK	132=OKI DATA SYS132	001	OK
133=OKIDATA SYS133	001	OK	134=OKI DATA SYS134	001	OK
135=OKIDATA SYS135	001	OK	136=OKI DATA SYS136	001	OK
137=OKIDATA SYS137	001	OK	138=OKI DATA SYS138	001	OK
139=OKIDATA SYS139	001	OK	140=OKI DATA SYS140	001	OK

Fig. 1-6-5-3 Broadcast Confirmation Report P1 for OKIFAX 5900

BROADCAST CONFIRMATION REPORT P2

12/24/1998 19:22
ID=OKI

LOCATION ID	PAGES	RESULT	LOCATION ID	PAGES	RESULT
141=OKIDATA SYS141	001	OK	142=OKI DATA SYS142	001	OK
143=OKIDATA SYS143	001	OK	144=OKI DATA SYS144	001	OK
145=OKIDATA SYS145	001	OK	146=OKI DATA SYS146	001	OK
147=OKIDATA SYS147	001	OK	148=OKI DATA SYS148	001	OK
149=OKIDATA SYS149	001	OK	150=OKI DATA SYS150	001	OK
151=OKIDATA SYS151	001	OK	152=OKI DATA SYS152	001	OK
153=OKIDATA SYS153	001	OK	154=OKI DATA SYS154	001	OK
155=OKIDATA SYS155	001	OK	156=OKI DATA SYS156	001	OK
157=OKIDATA SYS157	001	OK	158=OKI DATA SYS158	001	OK
159=OKIDATA SYS159	001	OK	160=OKI DATA SYS160	001	OK
161=OKIDATA SYS161	001	OK	162=OKI DATA SYS162	001	OK
163=OKIDATA SYS163	001	OK	164=OKI DATA SYS164	001	OK
165=OKIDATA SYS165	001	OK	166=OKI DATA SYS166	001	OK
167=OKIDATA SYS167	001	OK	168=OKI DATA SYS168	001	OK
169=OKIDATA SYS169	001	OK	170=OKI DATA SYS170	001	OK
171=OKIDATA SYS171	001	OK	172=OKI DATA SYS172	001	OK
173=OKIDATA SYS173	001	OK	174=OKI DATA SYS174	001	OK
175=OKIDATA SYS175	001	OK	176=OKI DATA SYS176	001	OK
177=OKIDATA SYS177	001	OK	178=OKI DATA SYS178	001	OK
179=OKIDATA SYS179	001	OK	180=OKI DATA SYS180	001	OK
181=OKIDATA SYS181	001	OK	182=OKI DATA SYS182	001	OK
183=OKIDATA SYS183	001	OK	184=OKI DATA SYS184	001	OK
185=OKIDATA SYS185	001	OK	186=OKI DATA SYS186	001	OK
187=OKIDATA SYS187	001	OK	188=OKI DATA SYS188	001	OK
189=OKIDATA SYS189	001	OK	190=OKI DATA SYS190	001	OK
191=OKIDATA SYS191	001	OK	192=OKI DATA SYS192	001	OK
193=OKIDATA SYS193	001	OK	194=OKI DATA SYS194	001	OK
195=OKIDATA SYS195	001	OK	196=OKI DATA SYS196	001	OK
197=OKIDATA SYS197	001	OK	198=OKI DATA SYS198	001	OK
199=OKIDATA SYS199	001	OK	200=OKI DATA SYS200	001	OK
201=OKIDATA SYS201	001	OK	202=OKI DATA SYS202	001	OK
203=OKIDATA SYS203	001	OK	204=OKI DATA SYS204	001	OK
205=OKIDATA SYS205	001	OK	206=OKI DATA SYS206	001	OK
207=OKIDATA SYS207	001	OK	208=OKI DATA SYS208	001	OK
209=OKIDATA SYS209	001	OK	210=OKI DATA SYS210	001	OK
211=OKIDATA SYS211	001	OK	212=OKI DATA SYS212	001	OK
213=OKIDATA SYS213	001	OK	214=OKI DATA SYS214	001	OK
215=OKIDATA SYS215	001	OK	216=OKI DATA SYS216	001	OK
217=OKIDATA SYS217	001	OK	218=OKI DATA SYS218	001	OK
219=OKIDATA SYS219	001	OK	220=OKI DATA SYS220	001	OK
221=OKIDATA SYS221	001	OK	222=OKI DATA SYS222	001	OK
223=OKIDATA SYS223	001	OK	224=OKI DATA SYS224	001	OK
225=OKIDATA SYS225	001	OK	226=OKI DATA SYS226	001	OK
227=OKIDATA SYS227	001	OK	228=OKI DATA SYS228	001	OK
229=OKIDATA SYS229	001	OK	230=OKI DATA SYS230	001	OK

KEYPAD

123456789012345678901234 001 OK

Fig. 1-6-5-4 Broadcast Confirmation Report P2 for OKIFAX 5900

BROADCAST CONFIRMATION REPORT

12/24/1998 19:22
ID=OKI

PAGES = 001
START TIME = 12/24 17:22
TOTAL TIME = 1:22'22"

LOCATION ID	PAGES	RESULT	LOCATION ID	PAGES	RESULT
1=12345678901234567890 100=OKIDATA SYS3	001	OK	50=OKI DATA SYS2	001	OK

KEYPAD

123456789012345678901234	001	OK
123456789012345678901234	001	OK
123456789012345678901234	001	OK
123456789012345678901234	001	OK
123456789012345678901234	001	OK
123456789012345678901234	001	OK
123456789012345678901234	001	OK
123456789012345678901234	001	OK
123456789012345678901234	001	OK
123456789012345678901234	001	OK

Fig. 1-6-5-5 Broadcast Confirmation Report (When the destination of Broadcast TX is specified by Speed Dial No.1, No.50, and No.100)

- (1) Title of the report
- (2) Date and time when the report was printed
- (3) Sender ID
- (4) Total numbers of pages in particular communication
- (5) Specified transmission time
(Time is not printed by automatic print out mode.)
- (6) Total transmission time
- (7) Required transmission address (Speed dial)
- (8) Registered location ID (Speed dial) or Identification of the remote station
- (9) Required transmission address (Ten key dial)
- (10) Transmitted number or pages for each address
- (11) Identification of the result of communication

CONFIGURATION P1

12/24/1998 22:00
ID=ODC TAKASAKI *8

USER FUNCTION SETUP

MACHINE SETTINGS			
< 10 >	AUTOANSWERMODE	FAX	
< 11 >	MONITORVOLUME	HIGH-MID.	
< 12 >	BUZZERVOLUME	LOW	
< 13 >	USERLANGUAGE	ENGLISH	
< 14 >	REMOTE DIAGNOSIS	OFF	
< 15 >	TXMODE DEFAULT	STD/NORMAL	
< 16 >	NO TONER MEM. RX	OFF	
< 17 >	MEM. FULL SAVE	OFF	
< 18 >	INSTANT DIAL	ON	
< 19 >	RESTRICT ACCESS	OFF	
< 20 >	ECM FUNCTION	ON	
< 21 >	CLOSED NETWORK	OFF	
< 22 >	TONER SAVE	OFF	
< 23 >	SENDER ID	ON	
< 24 >	1'ST PAPER SIZE	LEETER	
< 25 >	2'ND PAPER SIZE	LETTER	* 6
< 26 >	POWRESAVE MODE	ON	* 2 / * 1 1
< 27 >	ISDN DIAL MODE	G4MODE	* 4
< 28 >	SPEECH RECEIVE	ON	* 4
DIAL OPTIONS			
< 40 >	REDIAL TRIES	3 TRIES	* 2
< 41 >	REDIAL INTERVAL	3 MIN	* 2
< 42 >	AUTO START	ON	
< 43 >	DIAL TONE DETECT	OFF	* 2 / * 9
< 44 >	BUSY TONE DETECT	ON	* 2 / * 9
< 45 >	MF/DP	MF	* 2 / * 9
< 46 >	PULSE DIAL RATE	10 PPS	* 2 / * 9
< 47 >	PULSE MAKE RATIO	39 %	* 2 / * 9
< 48 >	PULSE DIAL TYPE	N	* 2 / * 9
< 49 >	MF(TONE) DURATION	100 MS	* 2 / * 9
< 50 >	PBX LINE	OFF	* 2 / * 9
< 51 >	FLS/EARTH/NORMAL	NORMAL	* 2 / * 9
< 52 >	DIAL PREFIX	OFF	* 9
INCOMING OPTIONS			
< 60 >	INCOMING RING	ON	* 9
< 61 >	REMOTE RECEIVE	OFF	* 9
< 62 >	T/F TIMER PRG.	35 SEC	* 9
< 63 >	CONTINUOUS TONE	OFF	
< 64 >	PC/FAX SWITCH	ON	* 3
< 65 >	CNG COUNT	1	* 2 / * 9
< 66 >	RING RESPONSE	1 RING	* 2 / * 9
< 67 >	DISTINCTIVE RING	OFF	* 2 / * 9

Fig. 1-6-6-1 Configuration P1 (In case of Service Bit = ON)

CONFIGURATION P2

12/24/1998 22:00
ID=ODC TAKASAKI *8

USERFUNCTIONSETUP

	REPORTOPTIONS		
	< 70 > MCF. (SINGLE-LOC.)	OFF	
	< 71 > MCF. (MULTI-LOC.)	ON	
	< 72 > MESSAGE IN MCF.	OFF	
	< 73 > ERR. REPORT (MCF.)	OFF	* 2
	LANOPTIONS		
	< 80 > AUTOTRAYSW	OFF	* 5
	< 81 > PAPER SIZE CHECK	OFF	
	< 82 > LAN PRINT T.O.	30 SEC	
TEL NO.	= 6699		* 7
FORWARDINGNO.	= 326242116		* 7
FORWARDONP-ERR.	= 6992		* 7
RELAY REPORT NO.	= 6411		* 7
ISDN-TID COUNTRY CODE	= 081		* 4/* 7
ISDN NO.	= 02732442117		* 4/* 7
ISDN ID	= Okidata		* 4/* 7
ISDN-SUBADDRESSING	= 123456		* 4/* 7

Fig. 1-6-6-2 Configuration P2 (In case of Service Bit = ON)

CONFIGURATION P3 *1

12/24/1998 22:00
ID=ODC TAKASAKI *8

TECHNICAL FUNCTION SETUP

< 01 >	SERVICE BIT	ON	
< 02 >	MONITORCONT.	ON	
< 03 >	COUNTRYCODE	USA	
< 04 >	TIME/DATE PRINT	OFF	
< 05 >	TSI PRINT	ON	
< 06 >	TADMODE	TYPE2	
< 07 >	REAL TIME DIAL	TYPE2	
< 08 >	TEL/FAX SWITCH	ON	
< 09 >	MDY/DMY	MDY	
< 10 >	LONG DOC. SCAN	OFF	
< 11 >	TONE FORECHO	OFF	
< 12 >	MHONLY	OFF	
< 13 >	H/MODEMRATE	33.6 K	
< 14 >	T1(TX) TIMER VALUE	059	
< 15 >	T1(RX) TIMER VALUE	035	
< 16 >	T2 TIMER *100MS	130	
< 17 >	DIS BIT32	ON	
< 18 >	ERRORCRITERION	10 %	
< 19 >	OFFHOOKBYPASS	OFF	
< 20 >	NL EQUALIZER	0 DB	
< 21 >	ATTENUATOR	10 DB	
< 22 >	T/F TONE ATT.	10 DB	
< 23 >	MF ATT.	3 DB	
< 24 >	RING DURA. *10MS	12	
< 25 >	CML TIMING *100MS	03	
< 26 >	LED HEADSTROBE	10000	
< 27 >	MEDIA TYPE	MEDIUM	
< 28 >	TRLATCHCURRENT	0	
< 29 >	V34 TX RETRY	ON	
< 30 >	SYMBOLRATE	3429	
< 31 >	NSF SWITCH	ON	
< 32 >	ID/TSI PRIORITY	ID	
< 33 >	TONERCOUNTCLEAR	OFF	
< 34 >	PARALLEL PICK UP	ON	
< 35 >	PRINT PRIORITY	OFF	
< 36 >	JBIG FACILITY	ON	*10
< 37 >	LLCCHECK	ON	*4

Fig. 1-6-6-3 Configuration P3 (In case of Service Bit = ON)

CONFIGURATION P1

12/24/1998 22:00
ID=ODC TAKASAKI *8

USERFUNCTIONSETUP

MACHINE SETTINGS

< 10 >	AUTOANSWERMODE	FAX	
< 11 >	MONITORVOLUME	HIGH-MID.	
< 12 >	BUZZERVOLUME	LOW	
< 13 >	USERLANGUAGE	ENGLISH	
< 14 >	REMOTEDIAGNOSIS	OFF	
< 15 >	TXMODE DEFAULT	STD/NORMAL	
< 16 >	NO TONER MEM. RX	OFF	
< 17 >	MEM. FULL SAVE	OFF	
< 18 >	INSTANT DIAL	ON	
< 19 >	RESTRICT ACCESS	OFF	
< 20 >	ECMFUNCTION	ON	
< 21 >	CLOSEDNETWORK	OFF	
< 22 >	TONER SAVE	OFF	
< 23 >	SENDER ID	ON	
< 24 >	1'ST PAPER SIZE	LEETER	
< 25 >	2'ND PAPER SIZE	LETTER	* 6

DIAL OPTIONS

< 40 >	REDIAL TRIES	3 TRIES	* 2
< 41 >	REDIAL INTERVAL	3 MIN	* 2
< 42 >	AUTO START	ON	
< 43 >	DIAL TONE DETECT	OFF	* 2/* 9
< 44 >	BUSY TONE DETECT	ON	* 2/* 9
< 45 >	MF/DP	MF	* 2/* 9

< 50 >	PBX LINE	OFF	* 2/* 9
--------	----------	-----	---------

< 52 >	DIAL PREFIX	OFF	* 9
--------	-------------	-----	-----

INCOMING OPTIONS

< 60 >	INCOMING RING	ON	* 9
< 61 >	REMOTE RECEIVE	OFF	* 9
< 62 >	T/F TIMER PRG.	35 SEC	* 9
< 63 >	CONTINUOUS TONE	OFF	
< 64 >	PC/FAX SWITCH	ON	* 3
< 65 >	CNG COUNT	1	* 2/* 9
< 67 >	DISTINCTIVE RING	OFF	* 2/* 9

Fig. 1-6-6-4 Configuration P1
(In case of: Service Bit OFF, Skipped by xpara bit, No LAN option board, No G4 option board, and registration of the incoming transmission TEL No.)

CONFIGURATION P2

12/24/1998 22:00
ID=ODC TAKASAKI *8

USER FUNCTION SETUP

REPORTOPTIONS			
< 70 > MCF. (SINGLE-LOC.)	OFF		
< 71 > MCF. (MULTI-LOC.)	ON		
< 72 > MESSAGE IN MCF.	OFF		
< 73 > ERR. REPORT (MCF.)	OFF		* 2

TEL NO.	=		* 7
FORWARDINGNO.	=		* 7
FORWARDONP-ERR.	= 6992		* 7
RELAY REPORT NO.	=		* 7

Fig. 1-6-6-5 Configuration P2

(In case of: Service Bit OFF, Skipped by xpara bit, No LAN option board, No G4 option board, and registration of the incoming transmission TEL No.)

- (1) Title of the report
- (2) Date and time when the report was printed
- (3) Sender ID
- (4) User programmed function parameters
 - Machine Settings (No.10 to No.28)
 - Dial Options (No. 40 to No. 52)
 - Incoming Options (No. 60 to No.67)
 - Report Options (No. 70 to No. 73)
 - LAN Options (No. 80 to No. 82)
- (5) Telephone number
- (6) Forwarding number
- (7) ISDN-TID: Country code, ISDN No. and ISDN ID
- (8) ISDN-SUB Address
- (9) Technical programmed function parameters
 - Setup (No. 01 to No. 37)

Note:

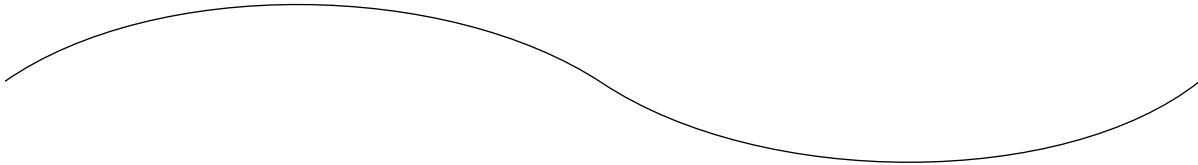
- *1: Printed only when Service Bit = ON.
- *2: When Service Bit = OFF, printed or not depending on the xpare bit.
USER FUNCTION SETUP > MACHINE SETTINGS > No.26: POWER SAVE MODE is skipped at the time of COUNTRY CODE=USA of DEFAULT TYPE=1(ODA) regardless of the xpara bit.
- *3: Printed when the MFP option is specified in Mfpunlock setup.
- *4: Printed when the ISDN option is mounted. At this time, if any item is not registered, only the content is left blank and its line itself is not left blank.
- *5: Printed when the LAN option is mounted. If the LAN option is not mounted. all setup items in SETUP > LAN OPTIONS are not printed.
- *6: Printed only when the second tray is mounted.
- *7: If no telephone number is registered, only the telephone number column is left blank and its line itself is not left blank.
- *8: If the ID of this machine is not registered, the ID is left blank and its line itself is left blank.
- *9: The item is left blank when an ISDN board is mounted. However, printed when Service Bit = ON.
- *10: Printed only when the machine is OKIFAX 5900.
- *11: Machine setting No. 26 (power save mode) is not printed when the ISDN/LAN board is mounted.

Error Name (Decimal code)	Error Description
HSP Error 10	Commnad was sent to the HSP card but its response was not returned within 5 seconds.
HSP Error 20	The Status Window did not show in the initial state 10 seconds after powering on.
HSP Error 21	Received the operation command during the POWER ON mode if it takes 3 seconds or more to transfer to the operation mode after clearance of the initial synchronizing flag.
HSP Error 22	In the Reverse Data command, the HSK card could not transmit all the notification data from the higher modules. (In case a communication error has occurred between the HSP and host.)
HSP Error 00	Others

TELEPHONE DIRECTORY P1

12/24/1998 17:05
ID=OKI

LOCATION ID	TEL NO	G3-ECHO / G3-RATE / MODE
1 OKI DATA SYS1	LOC# 1234567890123456789012345678901234567890 ALT# 0101	ON / 33.6K / G4
2 OKI DATA SYS2	LOC# 0002 ALT# 0102	OFF / 33.6K / G4
3 OKI DATA SYS3	LOC# 0003 ALT# 0103	ON / 33.6K / G4
4 OKI DATA SYS4	LOC# 0004 ALT# 0104	ON / 33.6K / G4
5 OKI DATA SYS5	LOC# 0005 ALT# 0105	ON / 33.6K / G4
6 OKI DATA SYS6	LOC# 0006 ALT# 0106	ON / 33.6K / G4
7	LOC# 0007 ALT# 0107	ON / 33.6K / G4
8 OKI DATA SYS8	LOC# 0008 ALT# 0108	ON / 33.6K / G4
9 OKI DATA SYS9	LOC# 0009 ALT# 0109	ON / 33.6K / G4
10 OKI DATA SYS10	LOC# 0010 ALT# 0110	ON / 33.6K / G4
11 OKI DATA SYS11	LOC# 0010 ALT# 0010	ON / 33.6K / G4
12 OKI DATA SYS12	LOC# 123456789012345678901245678901234567890 ALT# 010	ON / 33.6K / G4



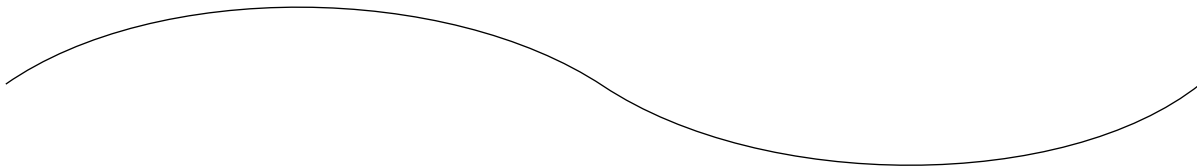
20 OKI DATA SYS20	LOC# 0010 ALT# 0110	ON / 33.6K / G4
21 OKI DATA SYS21	LOC# 0010 ALT#	ON / 33.6K / G4
22 OKI DATA SYS22	LOC# 0010 ALT# 0010	ON / 33.6K / G4
23 OKI DATA SYS23	LOC# 0010 ALT# 0010	ON / 33.6K / G4
24 OKI DATA SYS24	LOC# 0010 ALT# 0010	ON / 33.6K / G4
25 OKI DATA SYS25	LOC# 0010 ALT# 0010	ON / 33.6K / G4
26 OKI DATA SYS26	LOC# 0010 ALT#	ON / 33.6K / G4
27 OKI DATA SYS27	LOC# 0010 ALT# 0010	ON / 33.6K / G4
28 OKI DATA SYS28	LOC# 0010 ALT# 0010	ON / 33.6K / G4
29 OKI DATA SYS29	LOC# 1234567890123456789012345678901234567890 ALT# 0010	ON / 33.6K / G4
30 OKI DATA SYS30	LOC# 0010 ALT# 0010	ON / 33.6K / G4

Fig. 1-6-7-1 Telephone Directory P1 for OKIFAX 5700

TELEPHONE DIRECTORY P2

12/24/1998 17:05
ID=OKI

LOCATION ID	TEL NO	G3-ECHO	G3-RATE	MODE
31 OKI DATA SYS31	LOC# 123456789012345678901234567890 ALT# 0010	[12:12] ON /	33.6K /	G4
32 OKI DATA SYS32	LOC# 0010 ALT# 0010	[12:12] ON /	33.6K /	G4
33 OKI DATA SYS33	LOC# 0010 ALT# 0010	[17:12] ON /	33.6K /	G4
34 OKI DATA SYS34	LOC# 0010 ALT# 0010	[:] ON /	33.6K /	G4
35 OKI DATA SYS35	LOC# 0010 ALT# 0010	[20:30] ON /	33.6K /	G4
36 OKI DATA SYS36	LOC# 0010 ALT# 0010	[21:00] ON /	33.6K /	G4
37 OKI DATA SYS37	LOC# 0010 ALT# 0010	[21:30] ON /	33.6K /	G4
38 OKI DATA SYS38	LOC# 0010 ALT# 0010	[21:50] ON /	33.6K /	G4
39 OKI DATA SYS39	LOC# 0010 ALT# 0010	[22:12] ON /	33.6K /	G4
40 OKI DATA SYS40	LOC# 123456789012345678901234567890 ALT# 0010	[23:12] ON /	33.6K /	G3



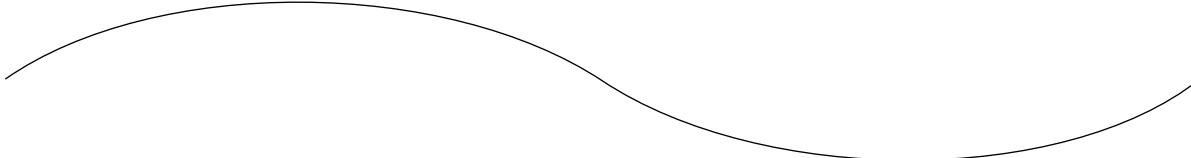
50 OKI DATA SYS50	LOC# 0010	ON /	33.6K /	G4
51	LOC# 0010	ON /	33.6K /	G4
52 OKI DATA SYS52	LOC# 0010	ON /	33.6K /	G4
53 OKI DATA SYS53	LOC# 0010	ON /	33.6K /	G4
54 OKI DATA SYS54	LOC# 0010	ON /	33.6K /	G4
55 OKI DATA SYS55	LOC# 0010	ON /	33.6K /	G4
56 OKI DATA SYS56	LOC# 0010	ON /	33.6K /	G4
57 OKI DATA SYS57	LOC# 0010	ON /	33.6K /	G4
58 OKI DATA SYS58	LOC# 0010	ON /	33.6K /	G4
59 OKI DATA SYS59	LOC# 0010	ON /	33.6K /	G4
60 OKI DATA SYS60	LOC# 123456789012345678901234567890	ON /	33.6K /	G4

Fig. 1-6-7-2 Telephone Directory P2 for OKIFAX 5700

TELEPHONE DIRECTORY P3

12/24/1998 17:05
ID=OKI

LOCATION ID	TEL NO	G3-ECHO	/	G3-RATE	/	MODE
61 OKI DATA SYS61	LOC# 1234567890123456789012345678901234567890	ON	/	33.6K	/	G4
62 OKI DATA SYS62	LOC# 0002	OFF	/	33.6K	/	G4
63 OKI DATA SYS63	LOC# 0003	ON	/	33.6K	/	G4
64 OKI DATA SYS64	LOC# 0004	ON	/	33.6K	/	G4
65	LOC# 0005	ON	/	33.6K	/	G4
66 OKI DATA SYS56	LOC# 0006	ON	/	33.6K	/	G4
67 OKI DATA SYS67	LOC# 0007	ON	/	33.6K	/	G4
68 OKI DATA SYS58	LOC# 0008	ON	/	33.6K	/	G4
69 OKI DATA SYS59	LOC# 0009	ON	/	33.6K	/	G4
70 OKI DATA SYS70	LOC# 1234567890123456789012345678901234567890	ON	/	33.6K	/	G3



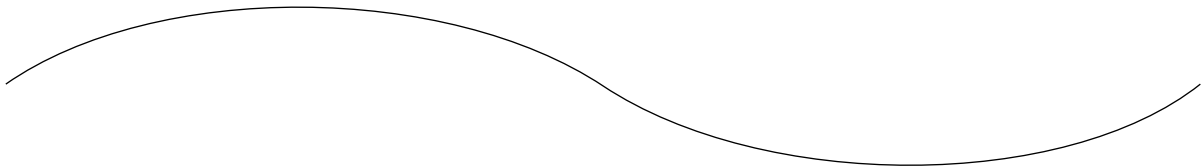
80 OKI DATA SYS80	LOC# 0010	ON	/	33.6K	/	G4
81 OKI DATA SYS81	LOC# 0010	ON	/	33.6K	/	G4
82 OKI DATA SYS82	LOC# 0010	ON	/	33.6K	/	G4
83 OKI DATA SYS83	LOC# 0010	ON	/	33.6K	/	G4
84 OKI DATA SYS84	LOC# 0010	ON	/	33.6K	/	G4
85 OKI DATA SYS85	LOC# 0010	ON	/	33.6K	/	G4
86 OKI DATA SYS86	LOC# 0010	ON	/	33.6K	/	G4
87 OKI DATA SYS87	LOC# 0010	ON	/	33.6K	/	G4
88 OKI DATA SYS88	LOC# 0010	ON	/	33.6K	/	G4
89 OKI DATA SYS89	LOC# 1234567890123456789012345678901234567890	ON	/	33.6K	/	G3
90 OKI DATA SYS90	LOC# 0010	ON	/	33.6K	/	G4

Fig. 1-6-7-3 Telephone Directory P3 for OKIFAX 5700

TELEPHONE DIRECTORY P4

12/24/1998 17:05
ID=OKI

LOCATION ID	TEL NO	G3-ECHO	/	G3-RATE	/	MODE
91 OKI DATA SYS91	LOC# 1234567890123456789012345678901234567890	ON	/	33.6K	/	G4
92 OKI DATA SYS92	LOC# 0002	OFF	/	33.6K	/	G4
93 OKI DATA SYS93	LOC# 0003	ON	/	33.6K	/	G4
94 OKI DATA SYS94	LOC# 0004	ON	/	33.6K	/	G4
95	LOC# 0005	ON	/	33.6K	/	G4
96 OKI DATA SYS96	LOC# 0006	ON	/	33.6K	/	G4
97 OKI DATA SYS97	LOC# 0007	ON	/	33.6K	/	G4
98 OKI DATA SYS98	LOC# 0008	ON	/	33.6K	/	G4
99 OKI DATA SYS99	LOC# 0009	ON	/	33.6K	/	G4
100 OKI DATA SYS100	LOC# 1234567890123456789012345678901234567890	ON	/	33.6K	/	G3



110 OKI DATA SYS110	LOC# 0010	ON	/	33.6K	/	G4
111 OKI DATA SYS111	LOC# 0010	ON	/	33.6K	/	G4
112 OKI DATA SYS112	LOC# 0010	ON	/	33.6K	/	G4
113 OKI DATA SYS113	LOC# 0010	ON	/	33.6K	/	G4
114 OKI DATA SYS114	LOC# 0010	ON	/	33.6K	/	G4
115 OKI DATA SYS115	LOC# 0010	ON	/	33.6K	/	G4
116 OKI DATA SYS116	LOC# 0010	ON	/	33.6K	/	G4
117 OKI DATA SYS117	LOC# 0010	ON	/	33.6K	/	G4
118 OKI DATA SYS118	LOC# 0010	ON	/	33.6K	/	G4
119 OKI DATA SYS119	LOC# 1234567890123456789012345678901234567890	ON	/	33.6K	/	G4
120 OKI DATA SYS120	LOC# 0010	ON	/	33.6K	/	G4

Fig. 1-6-7-4 Telephone Directory P4 for OKIFAX 5700

TELEPHONE DIRECTORY P5

12/24/1998 17:05
ID=OKI

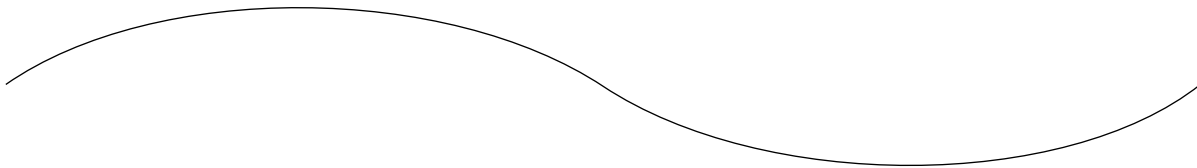
LOCATION ID	TEL NO	G3-ECHO /	G3-RATE /	MODE
121 OKI DATA SYS121	LOC# 1234567890123456789012345678901234567890	ON /	33.6K /	G4
122 OKI DATA SYS122	LOC# 0002	OFF /	33.6K /	G4
123 OKI DATA SYS123	LOC# 0003	ON /	33.6K /	G4
124 OKI DATA SYS124	LOC# 0004	ON /	33.6K /	G4
125	LOC# 0005	ON /	33.6K /	G4
126 OKI DATA SYS126	LOC# 0006	ON /	33.6K /	G4
127 OKI DATA SYS127	LOC# 0007	ON /	33.6K /	G4
128 OKI DATA SYS128	LOC# 0008	ON /	33.6K /	G4
129 OKI DATA SYS129	LOC# 0009	ON /	33.6K /	G4
130 OKI DATA SYS130	LOC# 1234567890123456789012345678901234567890	ON /	33.6K /	G3
131 OKI DATA SYS131	LOC# 0010	ON /	33.6K /	G4
132 OKI DATA SYS132	LOC# 0010	ON /	33.6K /	G4
133 OKI DATA SYS133	LOC# 0010	ON /	33.6K /	G4
134 OKI DATA SYS134	LOC# 0010	ON /	33.6K /	G4
135 OKI DATA SYS135	LOC# 0010	ON /	33.6K /	G4
136 OKI DATA SYS136	LOC# 0010	ON /	33.6K /	G4
137 OKI DATA SYS137	LOC# 0010	ON /	33.6K /	G4
138 OKI DATA SYS138	LOC# 0010	ON /	33.6K /	G4
139 OKI DATA SYS139	LOC# 0010	ON /	33.6K /	G4
140 OKI DATA SYS140	LOC# 1234567890123456789012345678901234567890	ON /	33.6K /	G4

Fig. 1-6-7-5 Telephone Directory P5 for OKIFAX 5700

TELEPHONE DIRECTORY P1

12/24/1998 17:05
ID=OKI

LOCATION ID	TEL NO	G3-ECHO	G3-RATE	MODE
1 OKI DATA SYS1	LOC# 123456789012345678901234567890 ALT# 0101	ON	33.6K	G4
2 OKI DATA SYS2	LOC# 0002 ALT# 0102	OFF	33.6K	G4
3 OKI DATA SYS3	LOC# 0003 ALT# 0103	ON	33.6K	G4
4 OKI DATA SYS4	LOC# 0004 ALT# 0104	ON	33.6K	G4
5 OKI DATA SYS5	LOC# 0005 ALT# 0105	ON	33.6K	G4
6 OKI DATA SYS6	LOC# 0006 ALT# 0106	ON	33.6K	G4
7	LOC# 0007 ALT# 0107	ON	33.6K	G4
8 OKI DATA SYS8	LOC# 0008 ALT# 0108	ON	33.6K	G4
9 OKI DATA SYS9	LOC# 0009 ALT# 0109	ON	33.6K	G4
10 OKI DATA SYS10	LOC# 0010 ALT# 0110	ON	33.6K	G4
11 OKI DATA SYS11	LOC# 0010 ALT# 0010	ON	33.6K	G4
12 OKI DATA SYS12	LOC# 123456789012345678901245678901234567890 ALT# 010	ON	33.6K	G4



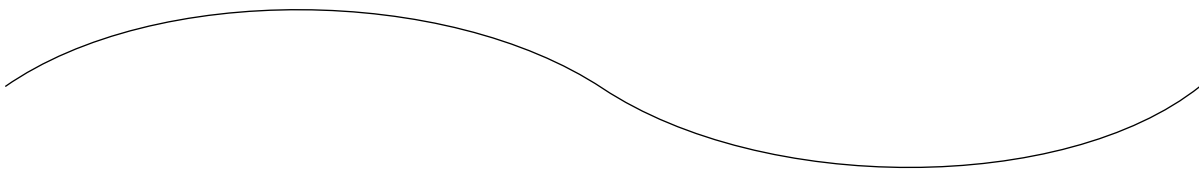
20 OKI DATA SYS20	LOC# 0010 ALT# 0110	ON	33.6K	G4
21 OKI DATA SYS21	LOC# 0010 ALT#	ON	33.6K	G4
22 OKI DATA SYS22	LOC# 0010 ALT# 0010	ON	33.6K	G4
23 OKI DATA SYS23	LOC# 0010 ALT# 0010	ON	33.6K	G4
24 OKI DATA SYS24	LOC# 0010 ALT# 0010	ON	33.6K	G4
25 OKI DATA SYS25	LOC# 0010 ALT# 0010	ON	33.6K	G4
26 OKI DATA SYS26	LOC# 0010 ALT#	ON	33.6K	G4
27 OKI DATA SYS27	LOC# 0010 ALT# 0010	ON	33.6K	G4
28 OKI DATA SYS28	LOC# 0010 ALT# 0010	ON	33.6K	G4
29 OKI DATA SYS29	LOC# 1234567890123456789012345678901234567890 ALT# 0010	ON	33.6K	G4
30 OKI DATA SYS30	LOC# 0010 ALT# 0010	ON	33.6K	G4

Fig. 1-6-7-6 Telephone Directory P1 for OKIFAX 5900

TELEPHONE DIRECTORY P2

12/24/1998 17:05
ID=OKI

LOCATION ID	TEL NO	G3-ECHO	G3-RATE	MODE
31 OKI DATA SYS31	LOC# 123456789012345678901234567890 ALT# 0010	[12:12] ON /	33.6K /	G4
32 OKI DATA SYS32	LOC# 0010 ALT# 0010	[12:12] ON /	33.6K /	G4
33 OKI DATA SYS33	LOC# 0010 ALT# 0010	[17:12] ON /	33.6K /	G4
34 OKI DATA SYS34	LOC# 0010 ALT# 0010	[:] ON /	33.6K /	G4
35 OKI DATA SYS35	LOC# 0010 ALT# 0010	[20:30] ON /	33.6K /	G4
36 OKI DATA SYS36	LOC# 0010 ALT# 0010	[21:00] ON /	33.6K /	G4
37 OKI DATA SYS37	LOC# 0010 ALT# 0010	[21:30] ON /	33.6K /	G4
38 OKI DATA SYS38	LOC# 0010 ALT# 0010	[21:50] ON /	33.6K /	G4
39 OKI DATA SYS39	LOC# 0010 ALT# 0010	[22:12] ON /	33.6K /	G4
40 OKI DATA SYS40	LOC# 123456789012345678901234567890 ALT# 0010	[23:12] ON /	33.6K /	G3



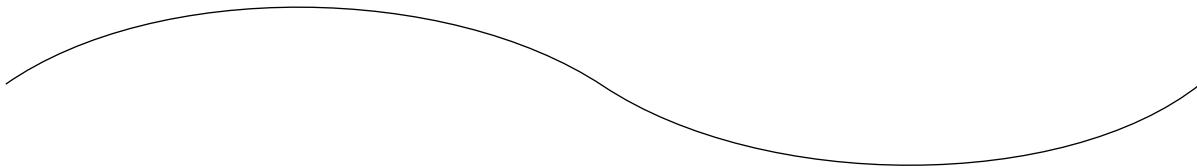
50 OKI DATA SYS50	LOC# 0010 ALT# 0010	ON /	33.6K /	G4
51	LOC# 0010 ALT# 0010	ON /	33.6K /	G4
52 OKI DATA SYS52	LOC# 0010 ALT# 0010	ON /	33.6K /	G4
53 OKI DATA SYS53	LOC# 0010 ALT# 0010	ON /	33.6K /	G4
54 OKI DATA SYS54	LOC# 0010 ALT# 0010	ON /	33.6K /	G4
55 OKI DATA SYS55	LOC# 0010 ALT# 0010	ON /	33.6K /	G4
56 OKI DATA SYS56	LOC# 0010 ALT# 0010	ON /	33.6K /	G4
57 OKI DATA SYS57	LOC# 0010 ALT# 0010	ON /	33.6K /	G4
58 OKI DATA SYS58	LOC# 0010 ALT# 0010	ON /	33.6K /	G4
59 OKI DATA SYS59	LOC# 0010 ALT# 0010	ON /	33.6K /	G4
60 OKI DATA SYS60	LOC# 123456789012345678901234567890 ALT# 0010	ON /	33.6K /	G4

Fig. 1-6-7-7 Telephone Directory P2 for OKIFAX 5900

TELEPHONE DIRECTORY P3

12/24/1998 17:05
ID=OKI

LOCATION ID	TEL NO	G3-ECHO	/	G3-RATE	/	MODE
61 OKI DATA SYS61	LOC# 123456789012345678901234567890 ALT# 0010	ON	/	33.6K	/	G4
62 OKI DATA SYS62	LOC# 0002 ALT# 0010	OFF	/	33.6K	/	G4
63 OKI DATA SYS63	LOC# 0003 ALT# 0010	ON	/	33.6K	/	G4
64 OKI DATA SYS64	LOC# 0004 ALT# 0010	ON	/	33.6K	/	G4
65	LOC# 0005 ALT# 0010	ON	/	33.6K	/	G4
66 OKI DATA SYS56	LOC# 0006 ALT# 0010	ON	/	33.6K	/	G4
67 OKI DATA SYS67	LOC# 0007 ALT# 0010	ON	/	33.6K	/	G4
68 OKI DATA SYS58	LOC# 0008 ALT# 0010	ON	/	33.6K	/	G4
69 OKI DATA SYS59	LOC# 0009 ALT# 0010	ON	/	33.6K	/	G4
70 OKI DATA SYS70	LOC# 123456789012345678901234567890 ALT# 0010	ON	/	33.6K	/	G3



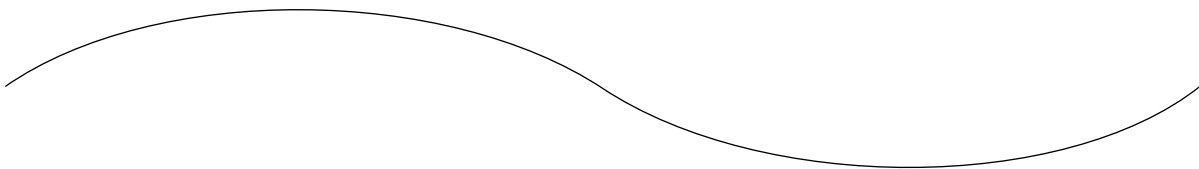
80 OKI DATA SYS80	LOC# 0010 ALT# 0010	ON	/	33.6K	/	G4
81 OKI DATA SYS81	LOC# 0010	ON	/	33.6K	/	G4
82 OKI DATA SYS82	LOC# 0010	ON	/	33.6K	/	G4
83 OKI DATA SYS83	LOC# 0010	ON	/	33.6K	/	G4
84 OKI DATA SYS84	LOC# 0010	ON	/	33.6K	/	G4
85 OKI DATA SYS85	LOC# 0010	ON	/	33.6K	/	G4
86 OKI DATA SYS86	LOC# 0010	ON	/	33.6K	/	G4
87 OKI DATA SYS87	LOC# 0010	ON	/	33.6K	/	G4
88 OKI DATA SYS88	LOC# 0010	ON	/	33.6K	/	G4
89 OKI DATA SYS89	LOC# 123456789012345678901234567890	ON	/	33.6K	/	G3
90 OKI DATA SYS90	LOC# 0010	ON	/	33.6K	/	G4

Fig. 1-6-7-8 Telephone Directory P3 for OKIFAX 5900

TELEPHONE DIRECTORY P4

12/24/1998 17:05
ID=OKI

LOCATION ID	TEL NO	G3-ECHO	/	G3-RATE	/	MODE
91 OKI DATA SYS91	LOC# 1234567890123456789012345678901234567890	ON	/	33.6K	/	G4
92 OKI DATA SYS92	LOC# 0002	OFF	/	33.6K	/	G4
93 OKI DATA SYS93	LOC# 0003	ON	/	33.6K	/	G4
94 OKI DATA SYS94	LOC# 0004	ON	/	33.6K	/	G4
95	LOC# 0005	ON	/	33.6K	/	G4
96 OKI DATA SYS96	LOC# 0006	ON	/	33.6K	/	G4
97 OKI DATA SYS97	LOC# 0007	ON	/	33.6K	/	G4
98 OKI DATA SYS98	LOC# 0008	ON	/	33.6K	/	G4
99 OKI DATA SYS99	LOC# 0009	ON	/	33.6K	/	G4
100 OKI DATA SYS100	LOC# 1234567890123456789012345678901234567890	ON	/	33.6K	/	G3



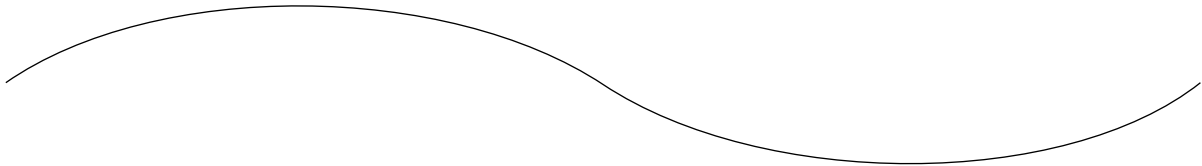
110 OKI DATA SYS110	LOC# 0010	ON	/	33.6K	/	G4
111 OKI DATA SYS111	LOC# 0010	ON	/	33.6K	/	G4
112 OKI DATA SYS112	LOC# 0010	ON	/	33.6K	/	G4
113 OKI DATA SYS113	LOC# 0010	ON	/	33.6K	/	G4
114 OKI DATA SYS114	LOC# 0010	ON	/	33.6K	/	G4
115 OKI DATA SYS115	LOC# 0010	ON	/	33.6K	/	G4
116 OKI DATA SYS116	LOC# 0010	ON	/	33.6K	/	G4
117 OKI DATA SYS117	LOC# 0010	ON	/	33.6K	/	G4
118 OKI DATA SYS118	LOC# 0010	ON	/	33.6K	/	G4
119 OKI DATA SYS119	LOC# 1234567890123456789012345678901234567890	ON	/	33.6K	/	G4
120 OKI DATA SYS120	LOC# 0010	ON	/	33.6K	/	G4

Fig. 1-6-7-9 Telephone Directory P4 for OKIFAX 5900

TELEPHONE DIRECTORY P5

12/24/1998 17:05
ID=OKI

LOCATION ID	TEL NO	G3-ECHO	/	G3-RATE	/	MODE
121 OKI DATA SYS121	LOC# 1234567890123456789012345678901234567890	ON	/	33.6K	/	G4
122 OKI DATA SYS122	LOC# 0002	OFF	/	33.6K	/	G4
123 OKI DATA SYS123	LOC# 0003	ON	/	33.6K	/	G4
124 OKI DATA SYS124	LOC# 0004	ON	/	33.6K	/	G4
125	LOC# 0005	ON	/	33.6K	/	G4
126 OKI DATA SYS126	LOC# 0006	ON	/	33.6K	/	G4
127 OKI DATA SYS127	LOC# 0007	ON	/	33.6K	/	G4
128 OKI DATA SYS128	LOC# 0008	ON	/	33.6K	/	G4
129 OKI DATA SYS129	LOC# 0009	ON	/	33.6K	/	G4
130 OKI DATA SYS130	LOC# 1234567890123456789012345678901234567890	ON	/	33.6K	/	G3



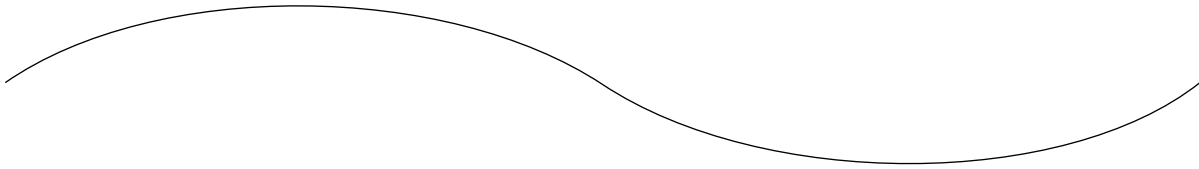
140 OKI DATA SYS140	LOC# 0010	ON	/	33.6K	/	G4
141 OKI DATA SYS141	LOC# 0010	ON	/	33.6K	/	G4
142 OKI DATA SYS142	LOC# 0010	ON	/	33.6K	/	G4
143 OKI DATA SYS143	LOC# 0010	ON	/	33.6K	/	G4
144 OKI DATA SYS144	LOC# 0010	ON	/	33.6K	/	G4
145 OKI DATA SYS145	LOC# 0010	ON	/	33.6K	/	G4
146 OKI DATA SYS146	LOC# 0010	ON	/	33.6K	/	G4
147 OKI DATA SYS147	LOC# 0010	ON	/	33.6K	/	G4
148 OKI DATA SYS148	LOC# 0010	ON	/	33.6K	/	G4
149 OKI DATA SYS149	LOC# 1234567890123456789012345678901234567890	ON	/	33.6K	/	G4
150 OKI DATA SYS150	LOC# 0010	ON	/	33.6K	/	G4

Fig. 1-6-7-10 Telephone Directory P5 for OKIFAX 5900

TELEPHONE DIRECTORY P6

12/24/1998 17:05
ID=OKI

LOCATION ID	TEL NO	G3-ECHO	/	G3-RATE	/	MODE
151 OKI DATA SYS151	LOC# 1234567890123456789012345678901234567890	ON	/	33.6K	/	G4
152 OKI DATA SYS152	LOC# 0002	OFF	/	33.6K	/	G4
153 OKI DATA SYS153	LOC# 0003	ON	/	33.6K	/	G4
154 OKI DATA SYS154	LOC# 0004	ON	/	33.6K	/	G4
155	LOC# 0005	ON	/	33.6K	/	G4
156 OKI DATA SYS156	LOC# 0006	ON	/	33.6K	/	G4
157 OKI DATA SYS157	LOC# 0007	ON	/	33.6K	/	G4
158 OKI DATA SYS158	LOC# 0008	ON	/	33.6K	/	G4
159 OKI DATA SYS159	LOC# 0009	ON	/	33.6K	/	G4
160 OKI DATA SYS160	LOC# 1234567890123456789012345678901234567890	ON	/	33.6K	/	G3



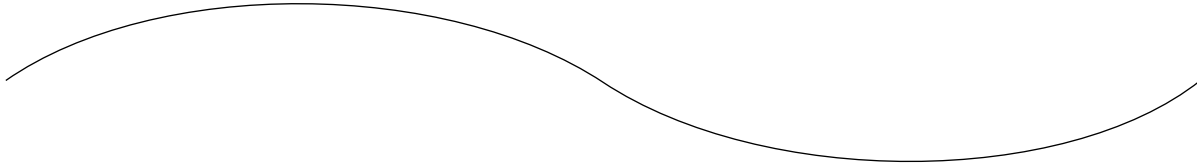
170 OKI DATA SYS170	LOC# 0010	ON	/	33.6K	/	G4
171 OKI DATA SYS171	LOC# 0010	ON	/	33.6K	/	G4
172 OKI DATA SYS172	LOC# 0010	ON	/	33.6K	/	G4
173 OKI DATA SYS173	LOC# 0010	ON	/	33.6K	/	G4
174 OKI DATA SYS174	LOC# 0010	ON	/	33.6K	/	G4
175 OKI DATA SYS175	LOC# 0010	ON	/	33.6K	/	G4
176 OKI DATA SYS176	LOC# 0010	ON	/	33.6K	/	G4
177 OKI DATA SYS177	LOC# 0010	ON	/	33.6K	/	G4
178 OKI DATA SYS178	LOC# 0010	ON	/	33.6K	/	G4
179 OKI DATA SYS179	LOC# 1234567890123456789012345678901234567890	ON	/	33.6K	/	G4
180 OKI DATA SYS180	LOC# 0010	ON	/	33.6K	/	G4

Fig. 1-6-7-11 Telephone Directory P6 for OKIFAX 5900

TELEPHONE DIRECTORY P7

12/24/1998 17:05
ID=OKI

LOCATION ID	TEL NO	G3-ECHO	/	G3-RATE	/	MODE
181 OKI DATA SYS181	LOC# 1234567890123456789012345678901234567890	ON	/	33.6K	/	G4
182 OKI DATA SYS182	LOC# 0002	OFF	/	33.6K	/	G4
183 OKI DATA SYS183	LOC# 0003	ON	/	33.6K	/	G4
184 OKI DATA SYS184	LOC# 0004	ON	/	33.6K	/	G4
185	LOC# 0005	ON	/	33.6K	/	G4
186 OKI DATA SYS186	LOC# 0006	ON	/	33.6K	/	G4
187 OKI DATA SYS187	LOC# 0007	ON	/	33.6K	/	G4
188 OKI DATA SYS188	LOC# 0008	ON	/	33.6K	/	G4
189 OKI DATA SYS189	LOC# 0009	ON	/	33.6K	/	G4
190 OKI DATA SYS190	LOC# 1234567890123456789012345678901234567890	ON	/	33.6K	/	G3



200 OKI DATA SYS200	LOC# 0010	ON	/	33.6K	/	G4
201 OKI DATA SYS201	LOC# 0010	ON	/	33.6K	/	G4
202 OKI DATA SYS202	LOC# 0010	ON	/	33.6K	/	G4
203 OKI DATA SYS203	LOC# 0010	ON	/	33.6K	/	G4
204 OKI DATA SYS204	LOC# 0010	ON	/	33.6K	/	G4
205 OKI DATA SYS205	LOC# 0010	ON	/	33.6K	/	G4
206 OKI DATA SYS206	LOC# 0010	ON	/	33.6K	/	G4
207 OKI DATA SYS207	LOC# 0010	ON	/	33.6K	/	G4
208 OKI DATA SYS208	LOC# 0010	ON	/	33.6K	/	G4
209 OKI DATA SYS209	LOC# 1234567890123456789012345678901234567890	ON	/	33.6K	/	G4
210 OKI DATA SYS210	LOC# 0010	ON	/	33.6K	/	G4

Fig. 1-6-7-12 Telephone Directory P7 for OKIFAX 5900

TELEPHONE DIRECTORY P8

12/24/1998 17:05
ID=OKI

LOCATION ID	TEL NO	G3-ECHO /	G3-RATE /	MODE
211 OKI DATA SYS211	LOC# 1234567890123456789012345678901234567890	ON /	33.6K /	G4
212 OKI DATA SYS212	LOC# 0002	OFF /	33.6K /	G4
213 OKI DATA SYS213	LOC# 0003	ON /	33.6K /	G4
214 OKI DATA SYS214	LOC# 0004	ON /	33.6K /	G4
215	LOC# 0005	ON /	33.6K /	G4
216 OKI DATA SYS216	LOC# 0006	ON /	33.6K /	G4
217 OKI DATA SYS217	LOC# 0007	ON /	33.6K /	G4
218 OKI DATA SYS218	LOC# 0008	ON /	33.6K /	G4
219 OKI DATA SYS219	LOC# 0009	ON /	33.6K /	G4
220 OKI DATA SYS220	LOC# 1234567890123456789012345678901234567890	ON /	33.6K /	G3
221 OKI DATA SYS221	LOC# 0010	ON /	33.6K /	G4
222 OKI DATA SYS222	LOC# 0010	ON /	33.6K /	G4
223 OKI DATA SYS223	LOC# 0010	ON /	33.6K /	G4
224 OKI DATA SYS224	LOC# 0010	ON /	33.6K /	G4
225 OKI DATA SYS225	LOC# 0010	ON /	33.6K /	G4
226 OKI DATA SYS226	LOC# 0010	ON /	33.6K /	G4
227 OKI DATA SYS227	LOC# 0010	ON /	33.6K /	G4
228 OKI DATA SYS228	LOC# 0010	ON /	33.6K /	G4
229 OKI DATA SYS229	LOC# 0010	ON /	33.6K /	G4
230 OKI DATA SYS230	LOC# 1234567890123456789012345678901234567890	ON /	33.6K /	G4

Fig. 1-6-7-13 Telephone Directory P8 for OKIFAX 5900

TELEPHONE DIRECTORY

12/24/1998 17:05
ID=OKI

LOCATION ID	TEL NO	G3-ECHO	/	G3-RATE	/	MODE
1 OKI DATA SYS1	LOC# 123456789012345678901234567890 ALT# 0101	ON	/	33.6K	/	G4
50 OKI DATA SYS50	LOC# 0002	OFF	/	33.6K	/	G4
100 OKI DATA SYS100	LOC# 0003	ON	/	33.6K	/	G4

Fig. 1-6-7-14 Telephone Directory (When the destination is registered by Speed Dial No.1, No.50, and No.100 only.)

- Five pages for OKIFAX 5700 and eight pages for OKIFAX 5900.
 - SPEED DIAL: Up to 140 for OKIFAX 5700, up to 230 for OKIFAX 5900
- (1) Title of the report
 - (2) Date and time when the report was printed
 - (3) Sender ID
 - (4) Programmed ID (up to 15 characters)
 - (5) Programmed Speed Dial telephone numbers (Up to 40 digits)
 - (6) Programmed alternative destination (ALT#: alternate TEL No.) telephone numbers #: 1 to 40 for OKIFAX 5700, 1 to 80 for OKIFAX 5900
 - (7) Programmed communication parameters
 - When an ISDN board is mounted: G3-ECHO/G3-RATE/MODE
 - When no ISDN board is mounted: G3-ECHO/G3-RATE
 - (8) Programmed batch transmission time
 - Batch transmission time can be set for SPEED DIAL 31 to 40 only.

POWER OUTAGE REPORT

DATE	TIME	S,R-TIME	DISTANT STATION ID	MODE	PAGES	RESULT	
							12/24/1998 15:10
							ID=OKI
12/24	10:10		123456789012345678901234			LOST	
12/24	10:30		ODSTAKASAKI		003	LOST	
12/24	12:05	01'20"	OKI FAX	CONF=01	003	LOST	0000
12/24	13:00	00'20"	03-5476-4300	CALLED	001	LOST	0000
12/24	10:50	00'20"	0495-22-5400	CALLED	003	LOST	0000
12/24	15:00			B.C.	001	LOST	

Fig. 1-6-8 Power Outage Report

- (1) Title of the report
- (2) Date and time when the report was printed
- (3) Sender ID
- (4) Reserved/transmission date
- (5) Reserved/transmission time
- (6) Communication time
- (7) Identification of the remote station
- (8) Mode of the communication
CONF(Confidential reception)/CALLED(Memory reception)/B.C.(Broadcast TX)
- (9) Total number of reserved documents or transmitted pages
- (10) Result of the communication
LOST

CONFIDENTIAL RX REPORT

			12/24/1998	17:05		
			ID=OKI			
DATE	S,R-TIME	DISTANT STATION ID	MODE	PAGES	RESULT	
12/24	01'30"	123456789012345678901234	CONF=01	002	OK	0000

Fig. 1-6-9 Confidential RX Report

- (1) Title of the report
- (2) Date and time when the report was printed.
- (3) Sender ID
- (4) Date of transmission or reception
- (5) Time when the communication started
- (6) Length of time for which the OKIFAX 5700/5900 was connected to the line
- (7) Identification of the remote station
- (8) Mode of the communication
 - The stored confidential box number is printed in the MODE column.
 - CONF=01 (box number)
- (9) Total number of pages
- (10) Result of the communication
- (11) Service code

PROTOCOL DUMP P2

12/24/1998 19:00
ID=OKI TAKASAKI

RECEIVEDFRAME

DIS

FF C8 01 00 73 17 22 00 00 00 00 00 00 00 00 00 00 00 00

DTC

00 00 00 00 00 00 00 00 00 00 00 00 00 00 00 00 00 00 00

DCS

00 00 00 00 00 00 00 00 00 00 00 00 00 00 00 00 00 00 00

NSF

FF C0 04 00 00 84 80 08 40 F4 10 40 F9 7D 20 0C 0C 0C 0C 90 F2 52 72 F2 12 04 92 D2 F2 80 F0 80
40 80 50 00
00 00 00 00 00 00

NSS

00
00
00
00 00 00 00

NSC

00
00
00 00 00 00 00 00

CSI/CIG/TSI

00 00

SEP/SUB

00 00

V34

QM

00 00 00 00 00 00

JM

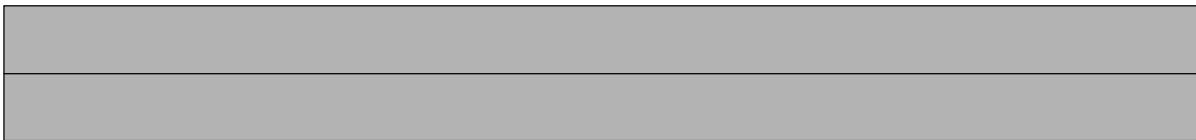
00 00 00 00 00 00

Fig. 1-6-10-2 Protocol Dump P2 (G3)

- (1) Title of the report
- (2) Date and time when the report was printed
- (3) Sender ID
- (4) Date of communication
- (5) Time of communication
- (6) One message transmission/reception time
- (7) Identification of remote station
 - CSI and/or telephone number
- (8) Mode of transmission/reception according to ITU-T designation
- (9) Total number of pages in communication
- (10) Identification of the result of the communication
- (11) Service code
- (12) TX: DIS/DTC/DCS/NSF/NSS/NSC
- (13) Transmitted telephone number
- (14) Transmitted SEP/SUB
- (15) Common information of ITU-T V.34 TX/RX
- (16) Modem trace
- (17) RX: DIS/DTC/DCS/NSF/NSS/NSC (page 2)
- (18) Received telephone number (page 2)
- (19) Received SEP/SUB (page 2)
- (20) Common information of ITU-T V.34 TX/RX (page 2)
- (21) Modem trace (page 2)

SELF DIAGNOSIS REPORT

12/24/1998 12:00
ID=0dc Takasaki



MAINBOARD

CPU-ROM	VERSION	aaaa		* 1
	HASH	OK	hhhh	* 1
CPU-RAM		OK		
PROGRAM1	VERSION	aaaa		
	HASH	OK	hhhh	
PROGRAM2	VERSION	aaaa		
	HASH	OK	hhhh	
LANGUAGE	VERSION	aaaa		
	HASH	OK	hhhh	
DEFAULT	VERSION	aaaa		
	HASH	OK	hhhh	
DEFAULT	TYPE	01		
MODEM	VERSION	hhhh		* 1
RAM1	8M	OK		
RAM2		OK		
CARTRIDGE		bbbb		* 1 / * 4
OPT-MEM	2M	OK		* 2
DEVICE ID	Okifax 5700			* 2 / * 3
HSP		OK		* 2 / * 5
ISDNBOARD		OK		* 2 / * 6
CPU-ROM	VERSION	aaaa		
	HASH	OK	hhhh	
CPU-RAM		OK		
PROGRAM	VERSION	aaaa		
	HASH	OK	hhhh	
RAM	2M	OK		
DPRAM	2K	OK		

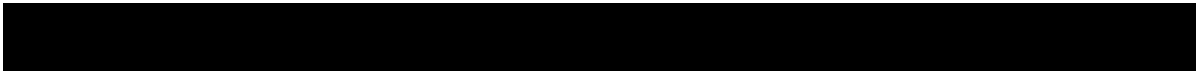
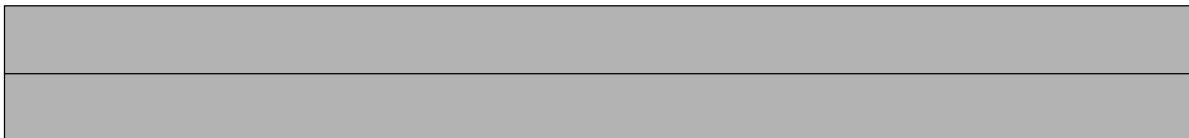


Fig. 1-6-11-1 Self Diagnosis Report

SELF DIAGNOSIS REPORT

12/24/1998 12:00
ID=0dc Takasaki



MAINBOARD

CPU-ROM	VERSION	aaaa		* 1
	HASH	CK	hhhh	* 1
CPU-RAM		CK		
PROGRAM1	VERSION	aaaa		
	HASH	CK	hhhh	
PROGRAM2	VERSION	aaaa		
	HASH	CK	hhhh	
LANGUAGE	VERSION	aaaa		
	HASH	CK	hhhh	
DEFAULT	VERSION	aaaa		
	HASH	CK	hhhh	
DEFAULT	TYPE	01		
MODEM	VERSION	hhhh		* 1
RAM1	8M	CK		
RAM2		CK		
CARTRIDGE		bbbb		* 1 / * 4

DEVICE ID Okifax 5700 * 2 / * 3

ISDNBOARD

		CK		* 2 / * 6
CPU-ROM	VERSION	aaaa		
	HASH	CK	hhhh	
CPU-RAM		CK		
PROGRAM	VERSION	aaaa		
	HASH	CK	hhhh	
RAM	2M	CK		
DPRAM	2K	CK		



Fig. 1-6-11-2 Self Diagnosis Report (In case of no MEM. board and no LAN board)

Note:

- *1: a indicates an alphanumeric character; n indicates a numeric character (0 to 9); h indicates a hexadecimal number; and b indicates 0 or 1.
- *2: Printed when the option memory board is mounted and if not, entry lines following this line are not omitted.
- *3: This item is left blank when MFP AVAIL is OFF. Lowercase letters can also be listed. This item reports MDL information for the PnP device ID only. This item can be up to 40 characters long.
- *4: This item reports toner cartridge ID information (port read value).
- *5: For the LAN board, the status of the LAN board at self diagnosis shall be recorded. (If the LAN board is in the alarm state, the cause of the alarm is recorded.) When an HSP error occurs, entry items shown below are printed.
HSP NG nn
- *6: The result of ISDN board test, which is performed at self diagnosis, shall be printed. (Error information at power-on shall also be listed partially.)
When an ISDN error occurs, entry items shown below are printed.
ISDN BOARD NG nn

nn=01 Waiting for PC loading

The BOOT2 signal from the host side at the time of power on is set to PC loading mode.

nn=02 Board abnormality

The ISDN board program hash is NG upon power on.

nn=03 Board abnormality

The initial sequence between boards cannot be executed in 10 seconds after power on. (The status window does not indicate a normal value.)

nn=04 Board abnormality

The initial sequence of the ISDN LSI cannot be executed upon power on.
(No response for the command, NG response)

nn=05 ISDN LSI abnormality

The result of ISDN LSI testing function is NG: (ROM/RAM test, Loop test)

FUNCTION LIST P1

12/24/1998 22:00
ID=0dc Takasaki *9

TO ACCESS PROGRAM MENU ITEMS:

- PRESS THE MENU KEY
- TO LOCATE A MENU ITEM. USE THE UP-DOWN ARROW KEY
- SELECT THE MENU ITEM USING EITHER THE ENTER OR RIGHT ARROW KEYS

TO QUICKLY ACCESS A SPECIFIC "SETUP" ITEM:

- PRESS THE MENU KEY
- ENTER THE TWO-DIGIT NUMBER OF THE SETUP ITEM ON THE TEN KEY PAD

MENU

—	DELAYED TX	
—	DELAYED BATCH TX	
—	PRIORITY TX	
—	CONFIDENTIAL TX	
—	RELAY INITIATE TX	
—	POLLING TX/RX	
—	PRINT FROM MEMORY	
—	— PRINT MEMORY MSG.	
—	— PRINT PERSONAL BOX	
—	REPORT PRINT	
—	— FUNCTION LIST	
—	— CONFIGURATION	
—	— PHONE DIRECTORY	
—	— GROUP DIRECTORY	
—	— ACTIVITY REPORT	
—	— ACTIVE MEM. FILES	
—	— BROADCAST MCF	
—	— PROTOCOL DUMP	
—	— NIC CONFIGURATION	* 5
—	— LOG. REPORT	* 1
—	— G4 LOG. REPORT	* 1 / * 4
—	LOCATION PROGRAM	
—	— SPEED DIAL	
—	— GROUP	
—	— BATCH TX TIME	
—	— FORWARDING NO.	
—	— FORWARD ON P-ERR.	
—	— RELAY REPORT NO.	
—	SETUP	
—	— CLOCK ADJUSTMENT	
—	— < 00 > CLOCK ADJUSTMENT	
—	— ID/PASSWORD PRG.	
—	— < 01 > TSI/CSI	
—	— < 02 > SENDER ID	
—	— < 03 > PERSONAL BOX	
—	— < 04 > MEM. PASSWORD	
—	— < 05 > RESTRICT ID	* 6
—	— < 06 > ISDN-TID	* 4
—	— < 07 > ISDN-SUB NO.	* 4

Fig. 1-6-13-1 Function List P1

FUNCTION LIST P2

12/24/1998 22:00
ID=0dc Takasaki *9

MENU			
	SETUP		
	—	MACHINE SETTINGS	
		< 10 > AUTO ANSWER MODE	FAX/TEL/TF/TAD/MEM/PC/FWD *11
		< 11 > MONITOR VOLUME	SELECT FROM 5 SOUND LEVEL
		< 12 > BUZZER VOLUME	SELECT FROM 4 SOUND LEVEL
		< 13 > USER LANGUAGE	LNG1/LNG2
		< 14 > REMOTE DIAGNOSIS	ON/OFF
		< 15 > TX MODE DEFAULT	RESOL./CONTRAST
		< 16 > NO TONER MEM. RX	ON/OFF
		< 17 > MEM. FULL SAVE	ON/OFF
		< 18 > INSTANT DIAL	ON/OFF
		< 19 > RESTRICT ACCESS	ON/OFF
		< 20 > ECM FUNCTION	ON/OFF
		< 21 > CLOSED NETWORK	OFF/TXRX/RX
		< 22 > TONER SAVE	ON/OFF
		< 23 > SENDER ID	ON/OFF
		< 24 > 1'ST PAPER SIZE	SELECT FROM 8 PAPER SIZE
		< 25 > 2'ND PAPER SIZE	SELECT FROM 7 PAPER SIZE *7
		< 26 > POWER SAVE MODE	ON/OFF *2/*13
		< 27 > ISDN DIAL MODE	G4MODE/G3MODE *4
		< 28 > SPEECH RECEIVE	ON/OFF *4
	—	DIAL OPTIONS	
		< 40 > REDIAL TRIES	0-10 TRIES *2/*12
		< 41 > REDIAL INTERVAL	1-6 MIN *2/*12
		< 42 > AUTO START	ON/OFF
		< 43 > DIAL TONE DETECT	ON/OFF *2/*10
		< 44 > BUSY TONE DETECT	ON/OFF *2/*10
		< 45 > MF/DP	MF/DP *2/*10
		< 46 > PULSE DIAL RATE	10/16/20 PPS *2/*10
		< 47 > PULSE MAKE RATIO	33/39/40 % *2/*10
		< 48 > PULSE DIAL TYPE	N/10-N/N+1 *2/*10
		< 49 > MF(TONE)DURATION	75/85/100 MS *2/*10
		< 50 > PBX LINE	ON/OFF *2/*10
		< 51 > FLS/EARTH/NORMAL	FLASH/EARTH/NORMAL *2/*10
		< 52 > DIAL PREFIX	OFF/4DIGITS(MAX.) *10
	—	INCOMING OPTIONS	
		< 60 > INCOMING RING	OFF/ON/DRC *10
		< 61 > REMOTE RECEIVE	OFF/00-99/**/## *10
		< 62 > T/F TIMER PRG.	20/35 SEC *10
		< 63 > CONTINUOUS TONE	ON/OFF
		< 64 > PC/FAX SWITCH	ON/OFF *3
		< 65 > CNG COUNT	1-5 TIMES *2/*10
		< 66 > RING RESPONSE	1RING/5/10/15/20 SEC *2/*10
		< 67 > DISTINCTIVE RING	OFF/ON/SET *2/*10

Fig. 1-6-13-2 Function List P2

FUNCTION LIST P3

12/24/1998 22:00
ID=0dc Takasaki *9

MENU			
—	SETUP		
—	REPORTOPTIONS		
	< 70 > MCF. (SINGLE-LOC.)	ON/OFF	
	< 71 > MCF. (MULTI-LOC.)	ON/OFF	
	< 72 > MESSAGE IN MCF.	ON/OFF	
	< 73 > ERR. REPORT (MCF.)	ON/OFF	* 2
—	LANOPTIONS		
	< 80 > AUTO TRAY SW	ON/OFF	* 5
	< 81 > PAPER SIZE CHECK	ON/OFF	
	< 82 > LAN PRINT T.O.	5SEC/30SEC/5MIN	
—	COUNTER		
—	DRUMCOUNT		
—	TONERCOUNT		* 1/* 8
—	DRUM(T)COUNT		* 1
—	PRINTCOUNT		
—	SCANCOUNT		
—	PRINTER CLEANING		

Fig. 1-6-13-3 Function List P3

FUNCTION LIST P1

12/24/1998 22:00
ID=0dc Takasaki *9

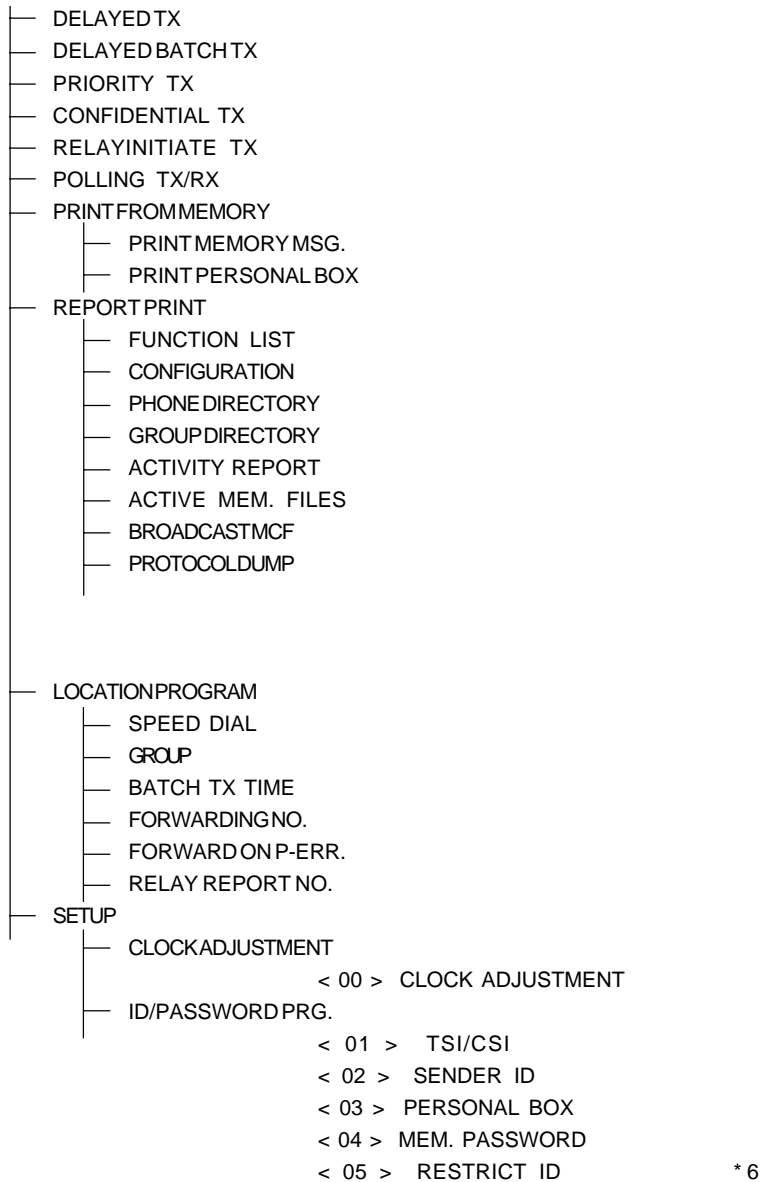
STEP ACCESSING TO THE WANTED ITEM:

- PRESS THE MENU KEY
- CHOOSE THE ITEM WITH THE UP-DOWN KEY
- DECIDE THE CHOSEN ITEM WITH THE ENTER or RIGHT KEY

SPEED ACCESSING TO THE WANTED ITEM:

- =PRESS THE MENU KEY
- ENTER THE NUMBER OF THE ITEM

MENU



*6

Fig. 1-6-13-4 Function List P1 (In case of : Service Bit=OFF, Skipped by xpara bit, No LAN option board, and No G4 option board)

FUNCTION LIST P2

12/24/1998 22:00
ID=0dc Takasaki *9

MENU			
	SETUP		
	MACHINE SETTINGS		
	< 10 > AUTO ANSWER MODE	FAX/TEL/MEM/PC/FWD	* 11
	< 11 > MONITOR VOLUME	SELECT FROM 5 SOUND LEVEL	
	< 12 > BUZZER VOLUME	SELECT FROM 3 SOUND LEVEL	
	< 13 > USER LANGUAGE	LNG1/LNG2	
	< 14 > REMOTE DIAGNOSIS	ON/OFF	
	< 15 > TX MODE DEFAULT	RESOL./CONTRAST	
	< 16 > NO TONER MEM. RX	ON/OFF	
	< 17 > MEM. FULL SAVE	ON/OFF	
	< 18 > INSTANT DIAL	ON/OFF	
	< 19 > RESTRICT ACCESS	ON/OFF	
	< 20 > ECM FUNCTION	ON/OFF	
	< 21 > CLOSED NETWORK	OFF/TXRX/RX	
	< 22 > TONER SAVE	ON/OFF	
	< 23 > SENDER ID	ON/OFF	
	< 24 > 1'ST PAPER SIZE	SELECT FROM 8 PAPER SIZE	
	< 25 > 2'ND PAPER SIZE	SELECT FROM 7 PAPER SIZE	* 7
	< 26 > POWER SAVE MODE	ON/OFF	*2/*13
	DIAL OPTIONS		
	< 40 > REDIAL TRIES	0-10 TRIES	*2/*12
	< 41 > REDIAL INTERVAL	1-6 MIN	*2/*12
	< 42 > AUTO START	ON/OFF	
	< 43 > DIAL TONE DETECT	ON/OFF	*2/*10
	< 44 > BUSY TONE DETECT	ON/OFF	*2/*10
	< 45 > MF/DP	MF/DP	*2/*10
	< 50 > PBX LINE	ON/OFF	*2/*10
	< 52 > DIAL PREFIX	OFF/4DIGITS(MAX.)	*10
	INCOMING OPTIONS		
	< 60 > INCOMING RING	OFF/ON/DRC	*10
	< 61 > REMOTE RECEIVE	OFF/00-99/**/##	*10
	< 62 > T/F TIMER PRG.	20/35 SEC	*10
	< 63 > CONTINUOUS TONE	ON/OFF	
	< 64 > PC/FAX SWITCH	ON/OFF	* 3
	< 65 > CNG COUNT	1-5 TIMES	*2/*10
	< 67 > DISTINCTIVE RING	OFF/ON/SET	*2/*10

Fig. 1-6-13-5 Function List P2 (In case of : Service Bit=OFF, Skipped by xpara bit, No LAN option board, and No G4 option board)

FUNCTION LIST P3

12/24/1998 22:00
ID=0dc Takasaki *9

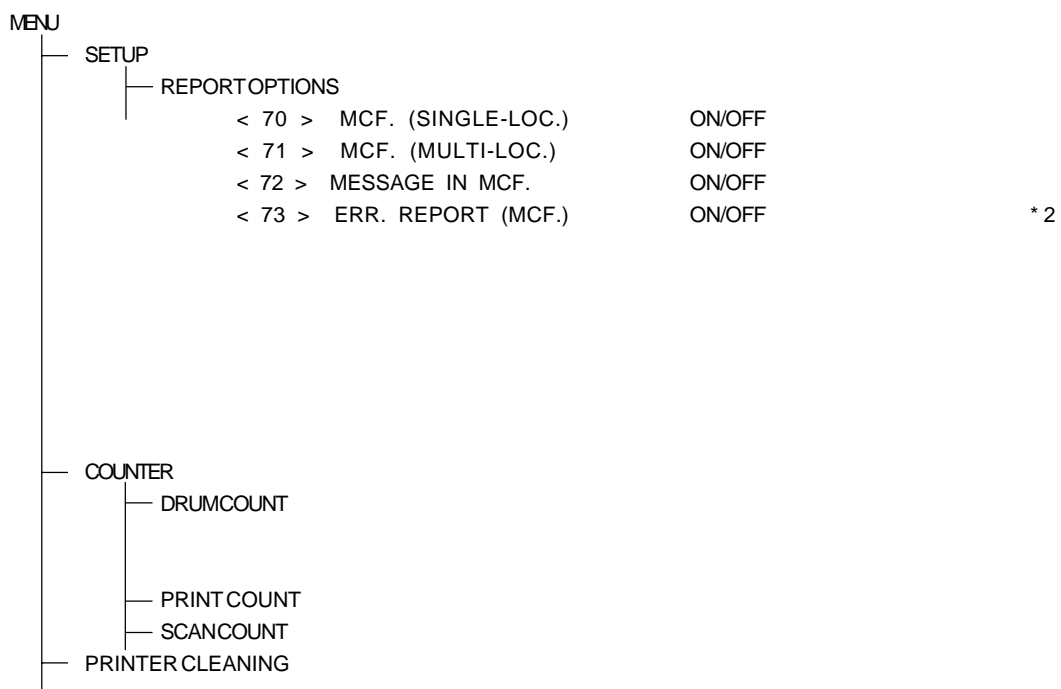


Fig. 1-6-13-6 Function List P3 (In case of : Service Bit=OFF, Skipped by xpara bit, No LAN option board, and No G4 option board)

Note:

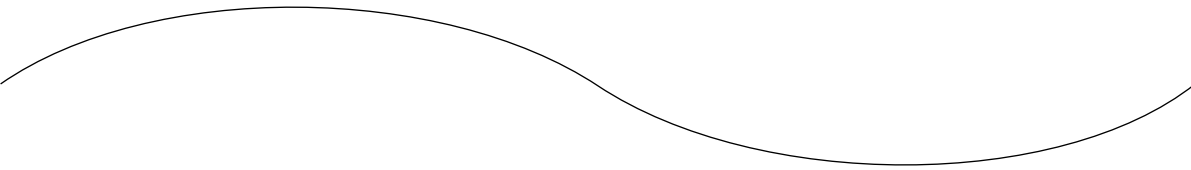
- *1: Printed only when Service Bit = ON.
- *2: When Service Bit = OFF, printed or not depending on the xpare bit.
USER FUNCTION SETUP > MACHINE SETTINGS > No.26: POWER SAVE MODE is skipped at the time of COUNTRY CODE=USA of DEFAULT TYPE=1(ODA) regardless of *the xpara bit.
- 3: Printed when the MFP option is specified in Mfpunlock setup.
- *4: Printed when the ISDN option is mounted.
- *5: Printed when the LAN option is mounted. If the LAN option is not mounted, all setup items in SETUP > LAN OPTIONS are not printed.
- *6: Printed only when User SETUP > MACHINE SETTINGS > No.19: RESTRICT ACCESS = ON.
- *7: Printed only when the second tray is mounted.
- *8: Printed when Technical SETUP > No.33: TONER COUNTER CLEAR = ON, even if Service Bit = OFF.
- *9: If the ID of this machine is not registered, the ID is left blank and its line itself is not left blank.
- *10: The item is left blank when an ISDN board is mounted. However, printed when Service Bit = ON.
- *11: •FAX, TEL, MEM., and FWD are always listed.
 - T/F is listed when the ISDN board is not mounted and TEL/FAX switch is set to ON.(Technical setup: 08)
 - TAD is listed when the ISDN board is not mounted and TAD mode is set to ON. (Technical setup: 06)
 - When all description conditions are met, modes must be described in the "FAX Ø TEL Ø TF Ø TAD Ø MEM Ø PC Ø FWD" sequence. If any description condition is not met for a mode, the mode must be omitted and the succeeding modes must be moved up.
Example: ISDN board installed, MFP = ON: FAX/TEL/MEM/PC/FWD
- *12: When National code is set to FRE, the following setting values are listed.
 - Redial tries: 1 to 5 (in one-try steps)
 - Redial interval: 1 to 12 (in one-minute steps)
- *13: Machine setting No. 26 (power save mode) is not printed when the ISDN/LAN board is mounted.

GROUP DIRECTORY

12/24/1998 17:04
ID=OKI TAKASAKI

GROUP NO. #1=OKI DATA SYS1

LOCATION ID	LOCATION ID
1 = 1234567890123456789012345678901234567890	2 = 1234567890123456789012345678901234567890
3 = OKI-SHIBAURA	4 = OKI-SHIBAURA
5 = FX-050	6 = FX-175
7 = FX-0175VP-ENHANC	8 = FX-056
9 = OKIFAX450	10 = OKIFAX460M
11 = M125INTL	12 = M125-US
13 = OKIFAX5600	14 = OKIFAX1050
15 = OKIFAX1000	16 = OKIFAX2200
17 = OF-3GX	18 = 115AD
19 = 2275	20 = OF-8
21 = OF-18	22 = OF-58H
23 = M4200	24 = 5400
25 = OF-28	26 = OF-1
27 = OF-21	28 = 2127
29 = OF-12M	30 = OF-55M
31 = M5600	32 = ABCDEFGHIJKLMNO
33 = OKIDATA-0000	34 = OKIDATA-0001
35 = OKIDATA-0003	36 = OKIDATA-0004
37 = OKIDATA-0006	38 = OKIDATA-0007
39 = OKIDATA-0009	40 = OKIDATA-000A



101 = OKIDATA-0001	102 = OKIDATA-0002
103 = OKIDATA-0003	104 = OKIDATA-0004
105 = OKIDATA-0005	106 = OKIDATA-0006
107 = OKIDATA-0007	108 = OKIDATA-0008
109 = OKIDATA-0009	110 = OKIDATA-000A
111 = OKIDATA-000B	112 = OKIDATA-000C
113 = OKIDATA-000D	114 = OKIDATA-000E
115 = OKIDATA-000F	116 = OKIDATA-0010
117 = OKIDATA-0011	118 = OKIDATA-0012
119 = OKIDATA-0013	120 = OKIDATA-0014
121 = OKIDATA-0015	122 = OKIDATA-0016
123 = OKIDATA-0017	124 = OKIDATA-0018
125 = OKIDATA-0019	126 = OKIDATA-001A
127 = OKIDATA-001B	128 = OKIDATA-001C
129 = OKIDATA-001D	130 = OKIDATA-001E
131 = OKIDATA-001F	132 = OKIDATA-0020
133 = OKIDATA-0021	134 = OKIDATA-0022
135 = OKIDATA-0023	136 = OKIDATA-0024
137 = OKIDATA-0025	138 = OKIDATA-0026
139 = OKIDATA-0027	140 = OKIDATA-0028

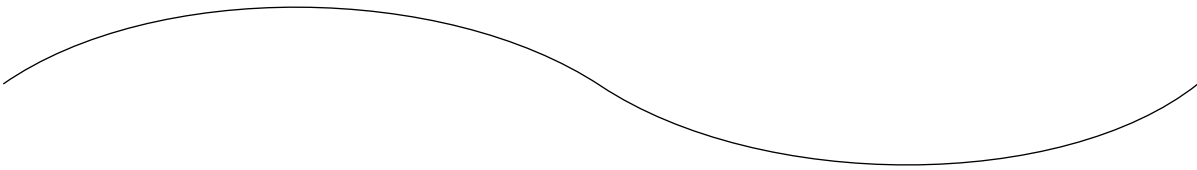
Fig. 1-6-14-1 Group Directory for OKIFAX 5700

GROUP DIRECTORY P1

12/24/1998 17:04
ID=OKI TAKASAKI

GROUP NO. #1=OKI DATA SYS1

LOCATION ID	LOCATION ID
1 = 1234567890123456789012345678901234567890	2 = 1234567890123456789012345678901234567890
3 = OKI-SHIBAURA	4 = OKI-SHIBAURA
5 = FX-050	6 = FX-175
7 = FX-0175VP-ENHANC	8 = FX-056
9 = OKIFAX450	10 = OKIFAX460M
11 = M125INTL	12 = M125-US
13 = OKIFAX5600	14 = OKIFAX1050
15 = OKIFAX1000	16 = OKIFAX2200
17 = OF-3GX	18 = 115AD
19 = 2275	20 = OF-8
21 = OF-18	22 = OF-58H
23 = M4200	24 = 5400
25 = OF-28	26 = OF-1
27 = OF-21	28 = 2127
29 = OF-12M	30 = OF-55M
31 = M5600	32 = ABCDEFGHIJKLMNO
33 = OKIDATA-0000	34 = OKIDATA-0001
35 = OKIDATA-0003	36 = OKIDATA-0004
37 = OKIDATA-0006	38 = OKIDATA-0007
39 = OKIDATA-0009	40 = OKIDATA-000A



101 = OKIDATA-0001	102 = OKIDATA-0002
103 = OKIDATA-0003	104 = OKIDATA-0004
105 = OKIDATA-0005	106 = OKIDATA-0006
107 = OKIDATA-0007	108 = OKIDATA-0008
109 = OKIDATA-0009	110 = OKIDATA-000A
111 = OKIDATA-000B	112 = OKIDATA-000C
113 = OKIDATA-000D	114 = OKIDATA-000E
115 = OKIDATA-000F	116 = OKIDATA-0010
117 = OKIDATA-0011	118 = OKIDATA-0012
119 = OKIDATA-0013	120 = OKIDATA-0014
121 = OKIDATA-0015	122 = OKIDATA-0016
123 = OKIDATA-0017	124 = OKIDATA-0018
125 = OKIDATA-0019	126 = OKIDATA-001A
127 = OKIDATA-001B	128 = OKIDATA-001C
129 = OKIDATA-001D	130 = OKIDATA-001E
131 = OKIDATA-001F	132 = OKIDATA-0020
133 = OKIDATA-0021	134 = OKIDATA-0022
135 = OKIDATA-0023	136 = OKIDATA-0024
137 = OKIDATA-0025	138 = OKIDATA-0026
139 = OKIDATA-0027	140 = OKIDATA-0028

Fig. 1-6-14-2 Group Directory P1 for OKIFAX 5900

GROUP DIRECTORY P2

12/24/1998 17:04
ID=OKI TAKASAKI

GROUP NO. #1=OKI DATA SYS1

LOCATION ID	LOCATION ID
141 = KAI-EIGYOU-INTL	142 = KAI-EIGYOU-GBR
143 = KAI-EIGYOU-NOR	144 = KAI-EIGYOU-SWE
145 = KAI-EIGYOU-DEN	146 = KAI-EIGYOU-GER
147 = KAI-EIGYOU-TCH	148 = KAI-EIGYOU-POL
149 = KAI-EIGYOU-AUT	150 = KAI-EIGYOU-BEL
151 = KAI-EIGYOU-FRE	152 = KAI-EIGYOU-ESP
153 = KAI-EIGYOU-GRE	154 = KAI-EIGYOU-AUS
155 = KAI-EIGYOU-SIN	156 = KAI-EIGYOU-HNG
157 = KAI-SISYA-INTL	158 = KAI-SISYA-GBR
159 = KAI-SISYA-NOR	160 = KAI-SISYA-SWE
161 = KAI-SISYA-DEN	162 = KAI-SISYA-GER
163 = KAI-SISYA-TCH	164 = KAI-SISYA-POL
165 = KAI-SISYA-AUT	166 = KAI-SISYA-BEL
167 = KAI-SISYA-FRE	168 = KAI-SISYA-ESP
169 = KAI-SISYA-GRE	170 = KAI-SISYA-AUS
171 = KAI-SISYA-SIN	172 = KAI-SISYA-HNG
173 = OKI DATA USA	174 = OKI DATA INTL
175 = OKI DATA GBR	176 = OKI DATA IRL
177 = OKI DATA NOR	178 = OKI DATA SWE



221 = ABCDEFGHIJ12345	222 = ABCDEFGHIJ23456
223 = ABCDEFGHIJ34567	224 = ABCDEFGHIJ45678
225 = ABCDEFGHIJ56789	226 = ABCDEFGHIJ67890
227 = ABCDEFGHIJ78901	228 = ABCDEFGHIJ89012
229 = ABCDEFGHIJ90123	230 = ABCDEFGHIJ01234

Fig. 1-6-14-3 Group Directory P2 for OKIFAX 5900

GROUP DIRECTORY

12/24/1998 17:04
ID=OKI TAKASAKI

GROUP NO. #1=OKI DATA SYS1

LOCATION ID	LOCATION ID
1 = 1234567890123456789012345678901234567890	50 = 1234567890123456789012345678901234567890
100 = OKI-SHIBAURA	

Fig. 1-6-14-4 Group Directory (When the destination of Speed Dial No.1, No.50, and No.100 is selected by the group destination.)

- (1) Title of the list
- (2) Date and time when the list was printed
- (3) Sender ID
- (4) Registered Group No. and ID
- (5) Registered location ID (up to 15 characters)

PROTOCOL DUMP P1

12/24/1998 19:00
ID=OKI TAKASAKI

DATE	TIME	S,R-TIME	DISTANT STATION ID	MODE	PAGES	RESULT
12/24	18:56	00'33"	OKI SHIBAURA	CALLING-G4	002	OK 0000

DCH.

TX	SETUP	CONN-ACK + Bch + DISC	REL-C
RX	STATUS SETUP-ACK CONN	+ Bch +	REL

TX
RX

BCH.

TX	SABM	WQ	CR	TCR	CSS	CDCL	CDUI CDPB	CDUI CDPB	DUI
RX	UA	SF	CC	TCA	RSSP	RDCLP	RDPBP	RDPBP	

TX	CDE	CQ	DISC
RX	RDEP	CF	UA

TX
RX

TX
RX

COMNMODE
T.90

COMMSPEED
64kbps

FLOWCONTROLPARAM.
2048(SPS)/7(SWS)/2048(RPS)/7(RWS)

TID
081-0273242117=OKIFAX

SETUP

```

08 01 05 05 01 02 88 90 6C 02 00 80 70 0B 80 30 32 37 33 32 38 30 30 30 31 7C 03 88 90 A9 7D 02
91 A1 00 00 00 00 00 00 00 00 00 00 00 00 00 00 00 00 00 00 00 00 00 00 00 00 00 00 00 00
00 00 00 00 00 00 00 00 00 00 00 00 00 00 00 00 00 00 00 00 00 00 00 00 00 00 00 00 00
00 00 00 00 00 00 00 00 00 00 00 00 00 00 00 00 00 00 00 00 00 00 00 00 00 00 00 00 00
00 00 00 00 00 00 00 00 00 00 00 00 00 00 00 00 00 00 00 00 00 00 00 00 00 00 00 00 00
00 00 00 00 00 00 00 00 00 00 00 00 00 00 00 00 00 00 00 00 00 00 00 00 00 00 00 00 00
00 00 00 00 00 00 00 00 00 00 00 00 00 00 00 00 00 00 00 00 00 00 00 00 00 00 00 00 00
00 00 00 00 00 00 00 00 00 00 00 00 00 00 00 00 00 00 00 00 00 00 00 00 00 00 00 00 00
    
```

DISC
45 16

Fig. 1-6-15-1 Protocol Dump P1 (ISDN option)

- (1) Title of the report
- (2) Date and time when the report was printed
- (3) Sender ID
- (4) Date of communication
- (5) Time of communication
- (6) One message transmission/reception time
- (7) Identification of remote station
 - CSI and/or telephone number
- (8) Mode of transmission/reception according to ITU-T designation
- (9) Total number of pages in communication
- (10) Identification of the result of the communication
- (11) Service code
- (12) D channel
- (13) B channel
- (14) COMMN MODE
- (15) COMMN SPEED
- (16) FLOW CONTROL PARAM.
- (17) TID
- (18) SETUP
- (19) DISC
- (20) CR/CN, CA/CC, CQ/CI, RQ/RI, SQ/SI
- (21) TBR/TCC/TCR/TCA
- (22) CSS
- (23) RSSP/RSSN
- (24) CD/CL
- (25) RDCLP
- (26) CDS
- (27) CDUI

NIC CONFIGURATION

24/12/1998 19:00
ID=OKI Takasaki

MLETB07 Version 1.0.1
TCP/IP status
 IP address : 192.168.1.21
 Subnet Mask : 255.255.255.0
 Gateway addr: 192.168.1.254
NetWare status
 NWPrint mode: Failed
EtherTalk status
 Zone Name : *
 Type Name : LaserWriter
 Object Name : ML1E4048

MAC Address : 00:80:92:1E:40:48

Fig. 1-6-16-1 NIC Configuration (10 Base T/2 NIC)

```
*****
*User name: SUPERVISOR(2)           Queue: ODC_SRV312/OKI_220777_PRQ *
*File name:                        Server  OKI_220777      *
*Directory:                        *
*Description: 16 - Notepad          *
*                                April 20, 1998             12:04 p.m. *
*****
```

Fig. 1-6-17 Banner Sheet

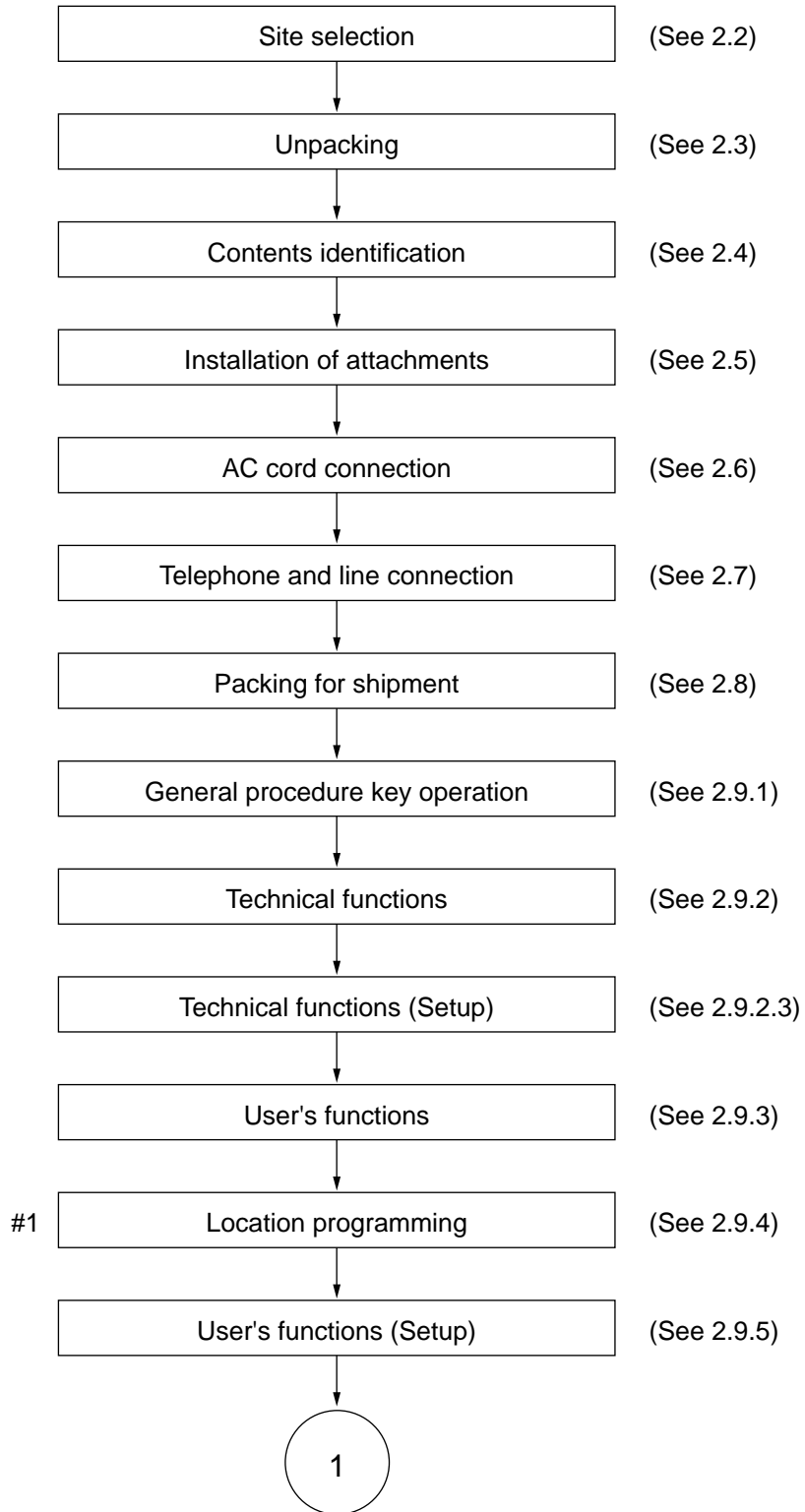
CHAPTER 2

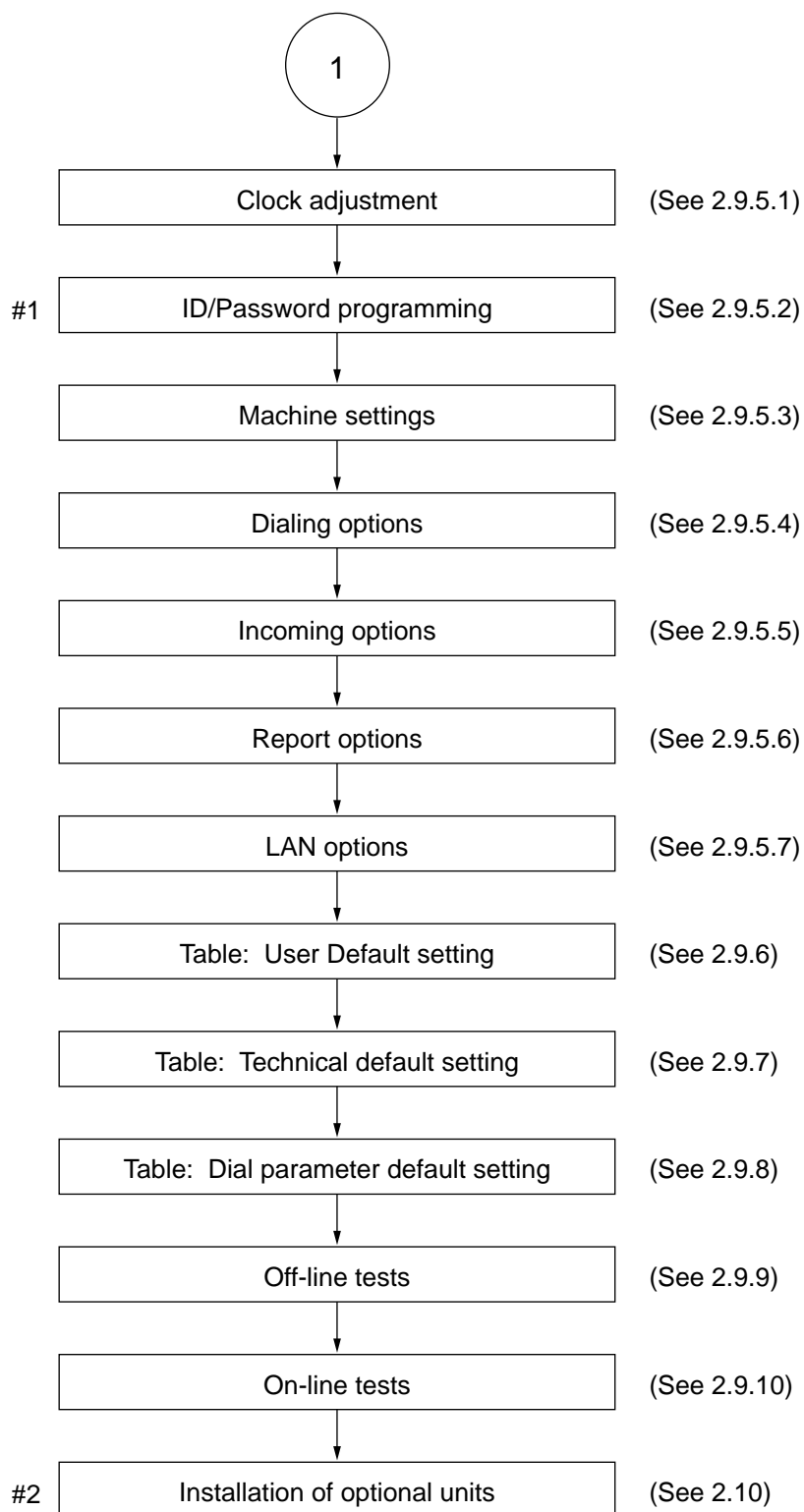
INSTALLATION PROCEDURE

A. Setup Information

2.1 General

The following flowchart outlines the installation procedure.





#1: For operation and registration, see OKIFAX 5700/5900 Handbook.

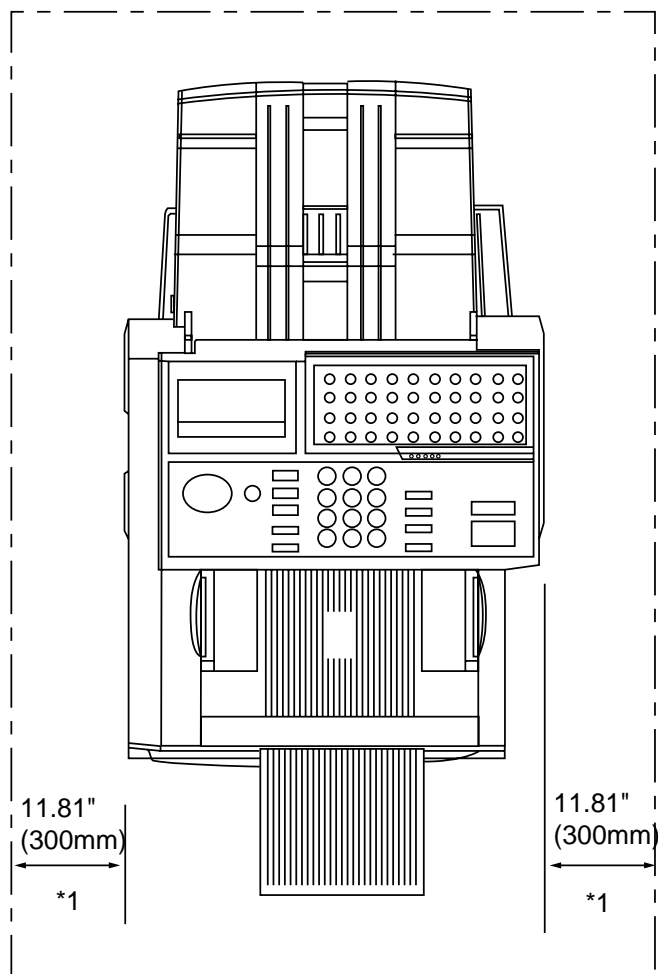
#2: Memory board, G4 option board, LAN option board, Second cassette unit etc.,.

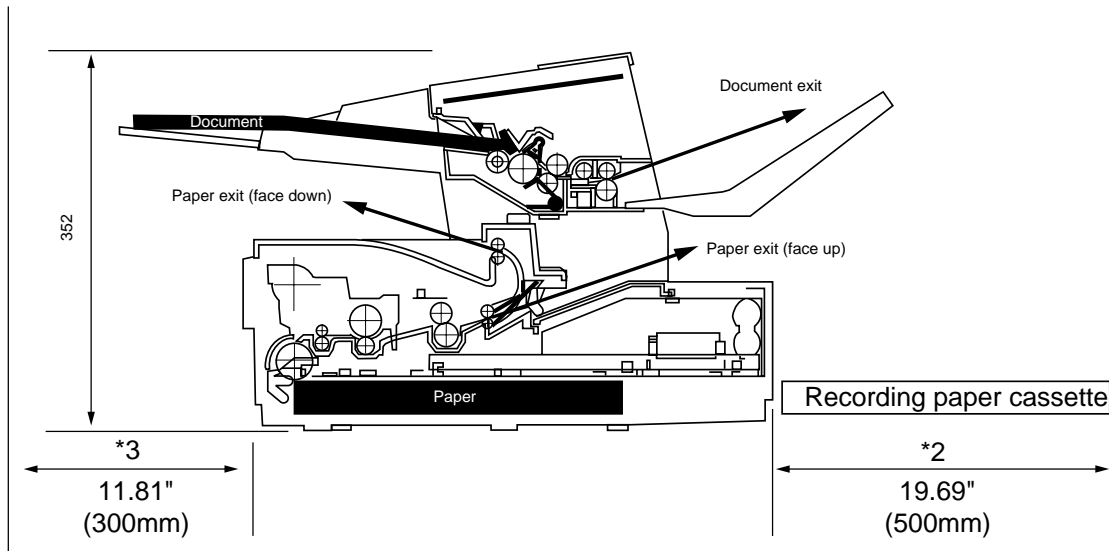
2.2 Site Selection

INSTALLATION

Precautions for Installation

- (1) Fluctuation in line voltage
 - 120VAC (102V to 127V)
 - 230VAC (198V to 264V)
- (2) Room temperature
 - 50 to 90°F (10 to 32°C)
- (3) Humidity
 - 20 to 80% RH
- (4) Operating environment
 - Pressure: Equivalent to altitude of 2500m (8020 feet) and below.
- (5) Exposure
 - Within five minutes at luminous intensity 2000 lux.
- (6) Required space for installation
 - The facsimile requires the space as shown below for safety and good operation.





- Note: *1: This space necessary for having the telephone set.
 *2: This space is necessary for removing the recording paper cassette.
 *3: This space is necessary for installing the document stacker and allow space for the fan exhaust.

(7) Levelness of installation surface

- 1 degree maximum

(8) Other requirements

Avoid installing in any of the following places:

- A place exposed to direct sunlight
- A place near a heat source or exposed to vibration
- A dusty place
- A place in the atmosphere of acid gas, or steam etc.,
- A place exposed to quick temperature changes

2.3 Unpacking

Procedure

- (1) Remove the on the top of the carton box and open its cover.

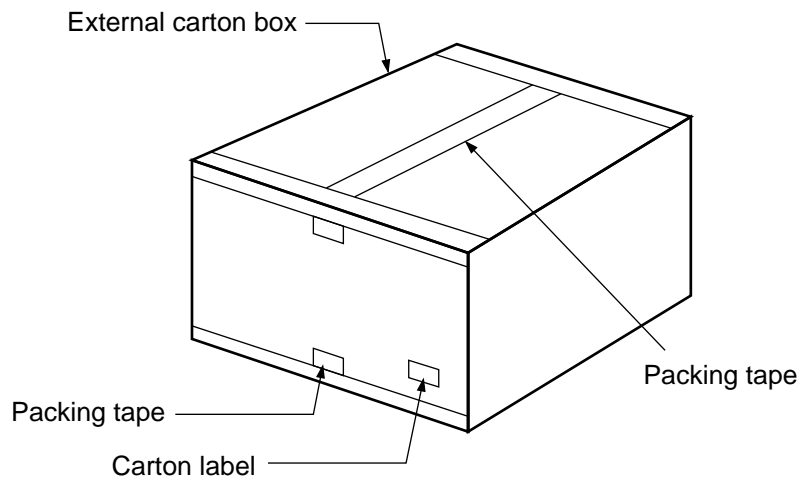


Figure 2.3.1 Unpacking Procedure (1)

- (2) Take out the accessory box from the carton box. (See figure 2.3.2)
- (3) Take out the machine with plastic wrapper from the box.

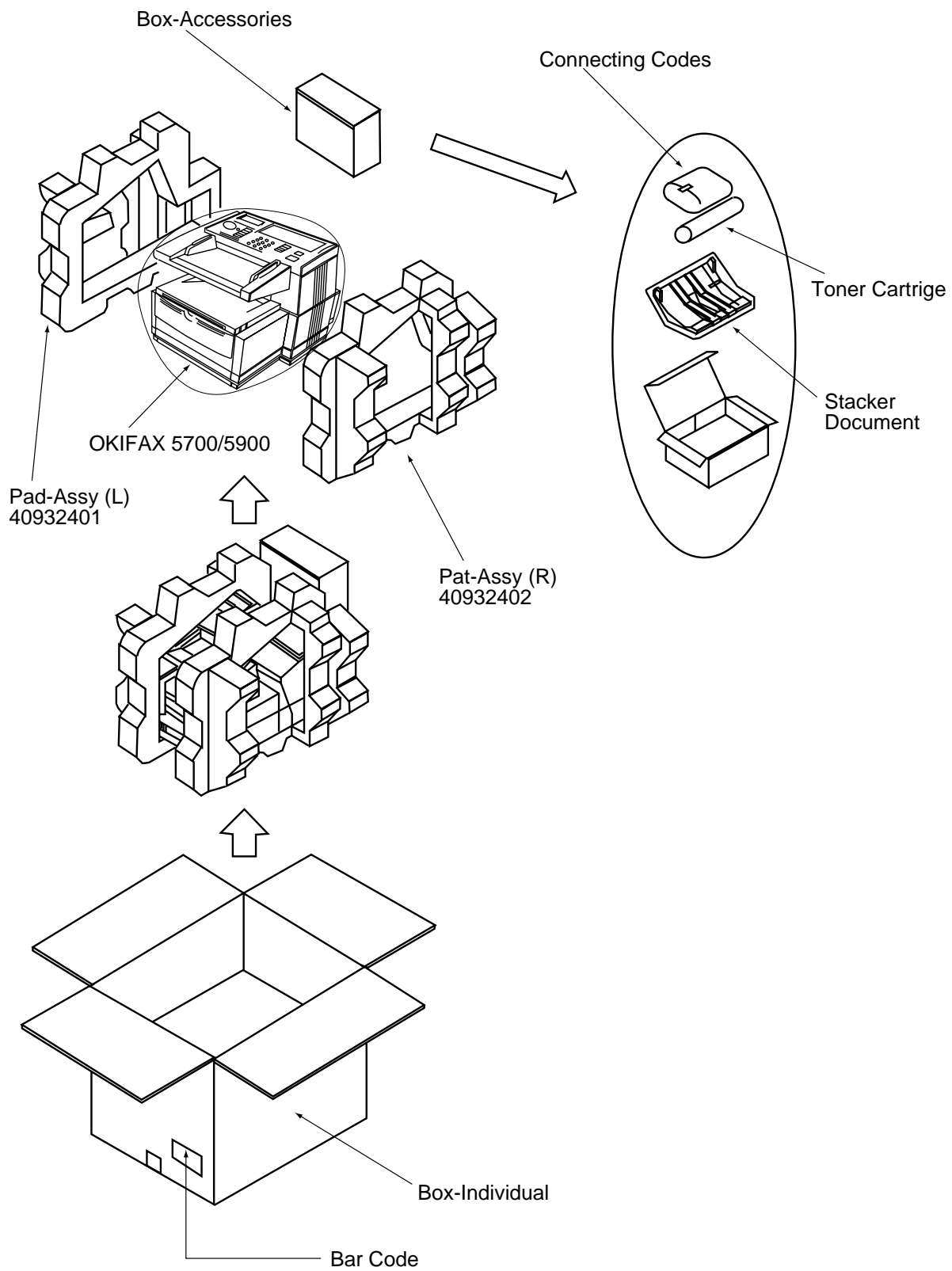


Figure 2.3.2 Unpacking Procedure (2)

2.4 Contents Identification

After having taken out the machine and accompanied accessories from the carton box, check the contents according to the following list.

Table 2.4.1 Contents List

Item No.	Name	Q'ty	Remarks
1	OKIFAX 5700/5900 facsimile	1	
2	AC power cord	1	
3	I/D unit	1	Already installed.
4	Toner cartridge	1	
5	Document stacker	1	
6	Telephone line code	1	
7	One touch sheet	1	Already installed.
8	User's guide	1 vol.	

2.5 Installation of Attachments

(1) Items

- Image Drum (ID) Unit (already installed)
- Toner cartridge
- Recording paper
- Document stacker

(2) Procedure

1) Toner cartridge

- Peel off the fixed tape attached to the tray-paper.
- Open the tray-document and tray-paper.

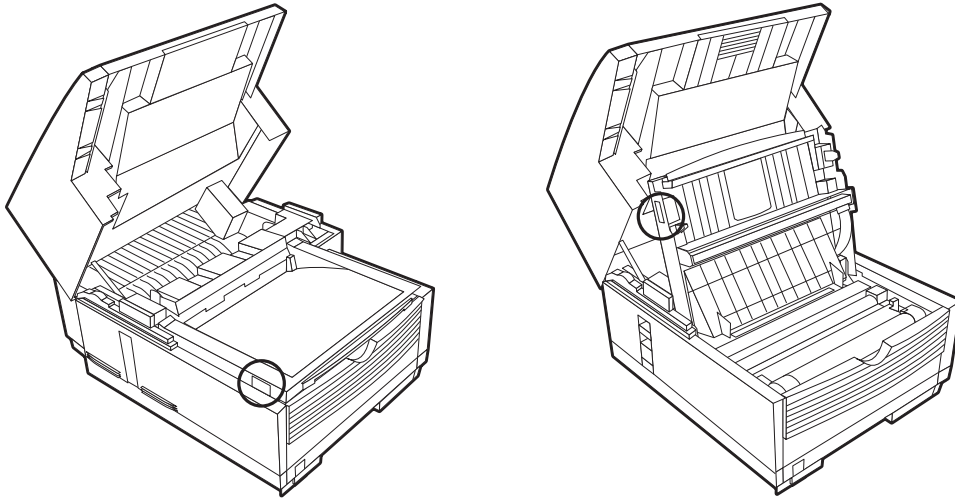


Figure 2.5.1 Toner Cartridge Installation (1)

- Take the plastic cover out of the ID unit.

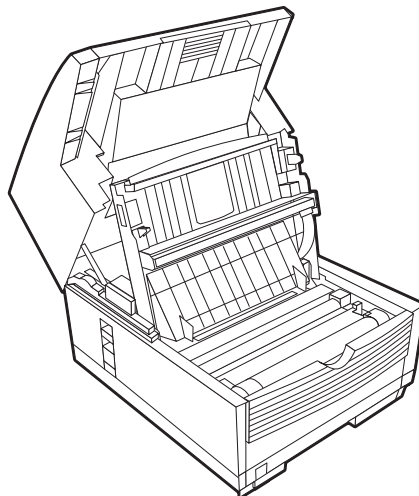


Figure 2.5.2 Toner Cartridge Installation (2)

- Take out the toner cartridge from the damp proof bag, shake it five or six times as shown in the illustration to eliminate the toner deflection, and peel off the seal gently.

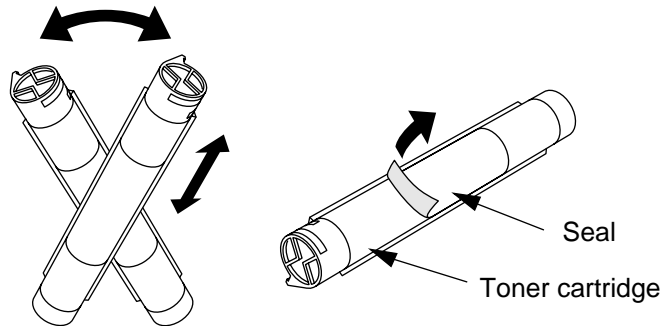


Figure 2.5.3 Toner Cartridge Installation (3)

- Ensure that the plastic tab on the light-hand side of the toner cartridge recess line up with the groove on the toner cartridge.
- Press down on both ends to make sure the cartridge is fully seated.

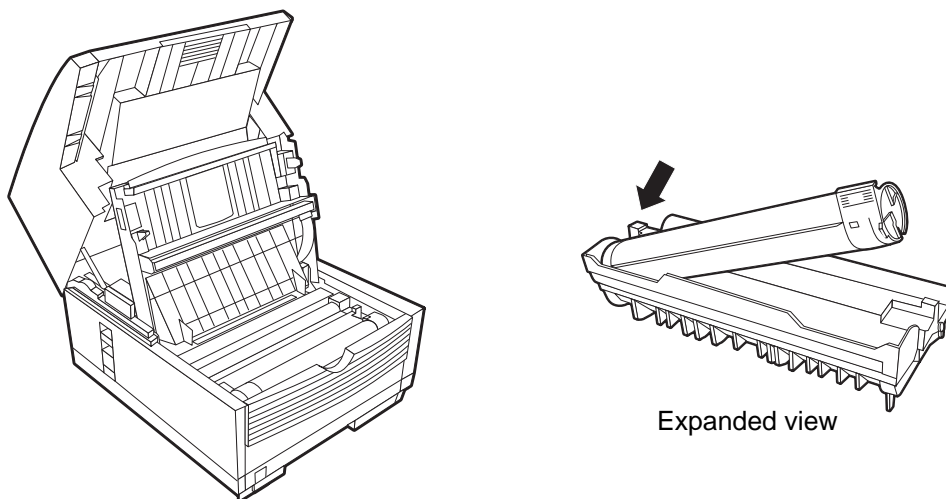


Figure 2.5.4 Toner Cartridge Installation (4)

- Press the gray lever forward until it stops.

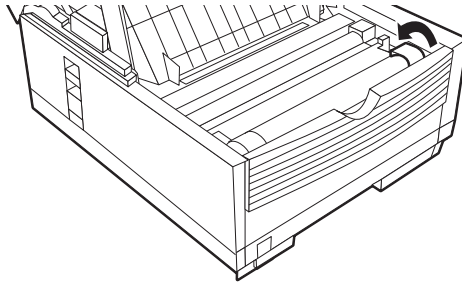


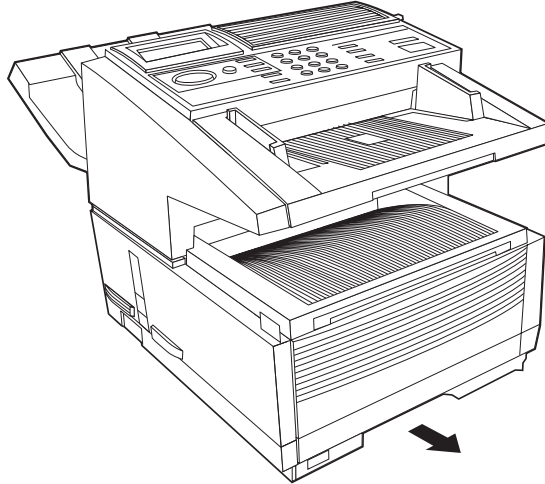
Figure 2.5.5 Toner Cartridge Installation (5)

- Clean the toner scattered in the vicinity of the toner cartridge using a cloth moistened with cold water. Do not use hot water since it makes the toner stick there.
- Close the tray-paper until the buttons have been locked completely.

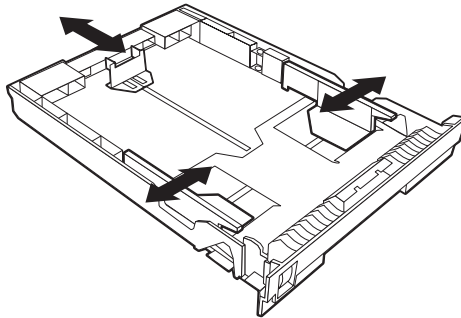
2)Recording paper

Note: About 250 sheets of the new paper can be set in the recording paper cassette.

- Remove the paper cassette from the facsimile by pulling the cassette tab.

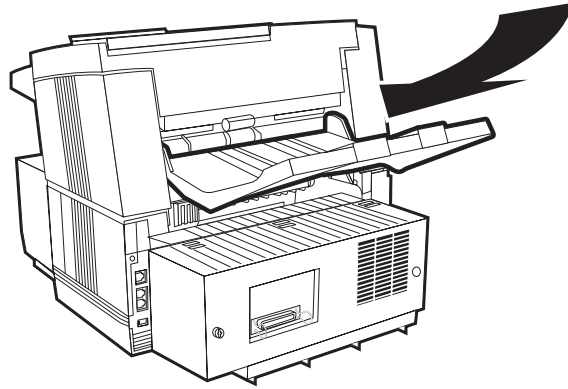


- Sheets must not exceed the paper full marker of the new paper limit indication. If excessive sheets are set, it will cause paper jams.
- After loading the new paper, push it forward into the slot at the front of the facsimile unit it locks.



3) Document stacker

- Hang the document stacker onto hanging position.



2.6 AC Cord Connection

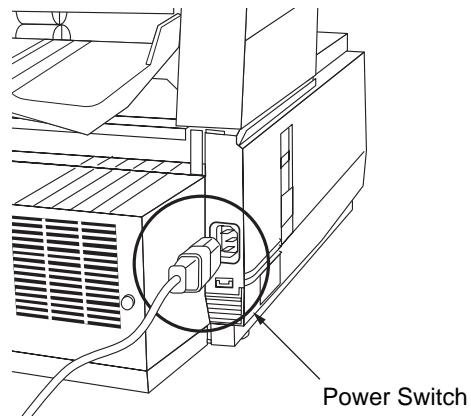
The power supply is provided as follows:

Normal input voltage 120VAC (Voltage range 102 to 127VAC)

Normal input voltage 230VAC (Voltage range 198 to 250VAC)

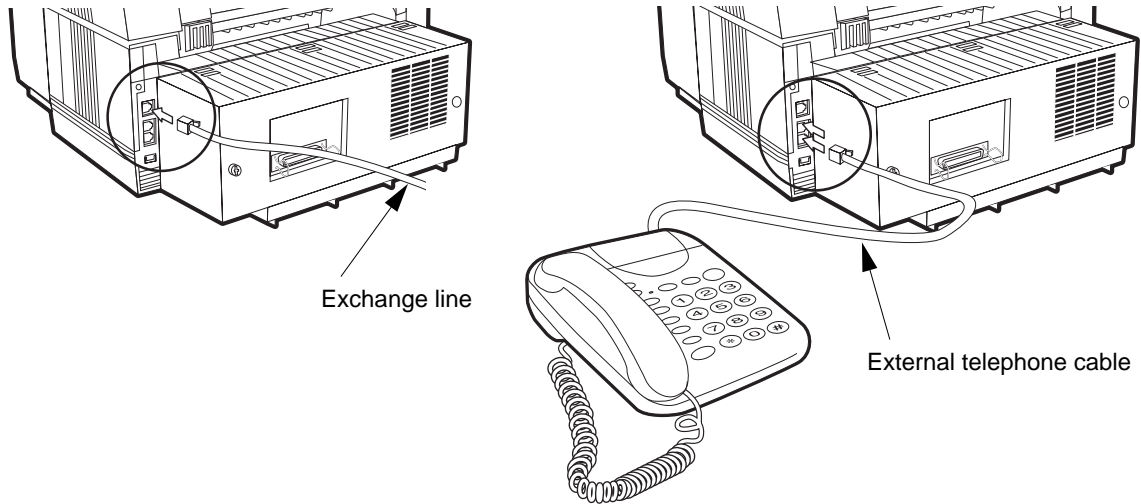
Check whether the AC voltage of your input is within the above-mentioned voltage range and if so, check that the power switch is turned OFF. After turning off the power switch, connect the female plug on the AC cord to the machine and insert the male plug of the AC cord to the inlet receptacle.

Turn the power switch ON and check that the display shows "(TIME and MEMORY FREE 100%)" message indicating the standby state.



2.7 Telephone and Line Connection

- (1) Procedure
- Connect the lines.



2.8 Packing for Shipment

Caution: When packing the OKIFAX 5700/5900 for shipment, REMOVE THE IMAGE DRUM AND TONER FROM THE UNIT AND SHIP SEPARATELY!
Failure to do this will result in damage to the machine.

B. Programming and Initial Settings

2.9 Initial Settings

2.9.1 General Procedure of Key Operation

Note: The fonts displayed on the LCD operation panel may differ from the fonts written this manual.

Accessing to desired functions:

- There are two methods for accessing a desired function: Step access and Speed access (direct access).

- **Step Access**

To access functions in a stepwise manner, the procedure is like that described for navigating the operational layers. Begin from pressing MENU/EXIT key, and then use the programming keys to locate, enter and set the desired function.

- **Speed Access**

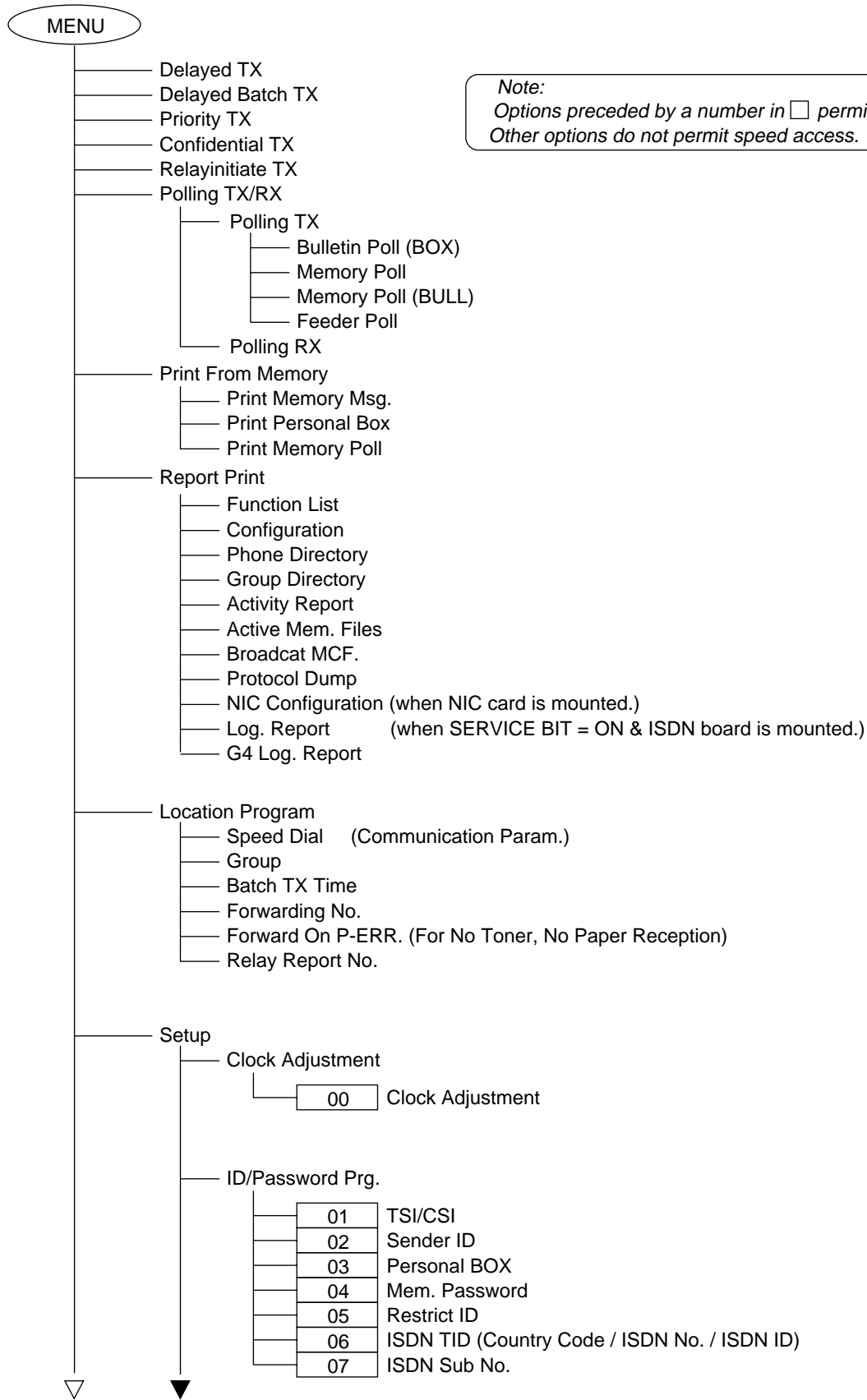
If the function is assigned a speed access number, typing this number in at the menu display prompt in the first operational layer will bring up the setting or registration display in the fourth operational layer for direct access.

Note1: A speed access number must be entered with two digits. (It must not be entered with neither one digit nor three digits.)

Note2: Speed access numbers are fixed.

Some of them cannot be used (skipped) depending on the destination of delivery and whether the machine is equipped with any option. Access numbers become discontinuous.

User functions



Note:
Options preceded by a number in permit speed access.
Other options do not permit speed access.



Machine Settings

10	Auto Answer Mode
11	Monitor Volume
12	Buzzer Volume
13	User Language
14	Remote Diagnosis
15	Tx Mode Default
16	No Toner Mem. Rx
17	Mem. Full Save
18	Instant Dial
19	Restrict Access
20	ECM Function
21	Closed Network
22	Tone Save
23	Sender ID
24	1'st Paper Size
25	2'nd Paper Size
26	Power Save Mode
27	ISDN Dial Mode
28	Speech Receive

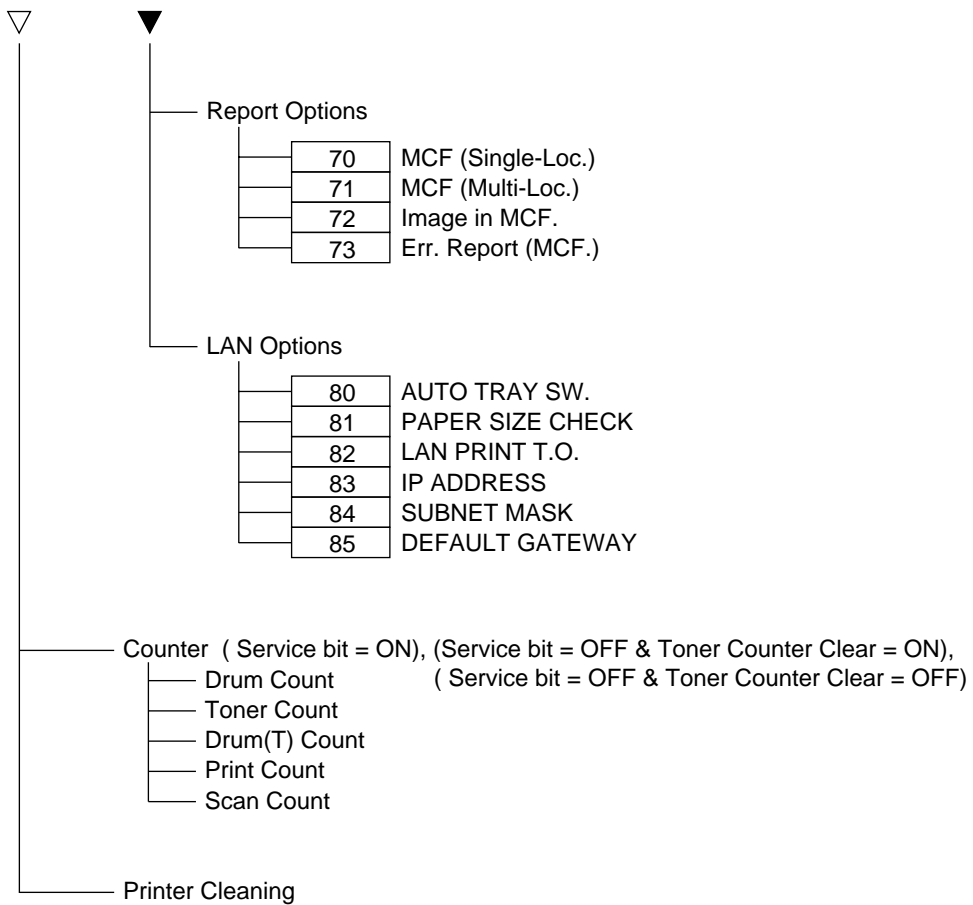
Dial Options

40	Redial Tries
41	Redial Interval
42	Auto Start
43	Dial Tone Detect
44	Busy Tone Detect
45	MF/DP
46	Pulse Dial Rate
47	Pulse Make Ratio
48	Pulse Dial Type
49	MF(Tone) Duration
50	PBX Line
51	FIs/Earth/Normal
52	Dial Prefix

Incoming Options

60	Incoming Ring
61	Remote Receive
62	T/F Timer Prg.
63	Continuous Tone
64	PC/FAX Switch
65	CNG Count
66	Ring Response
67	Distinctive Ring





MENU

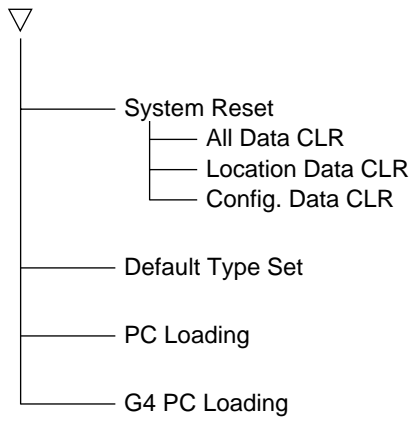
RESOLUTION key x 2

Local Test

- Self Diagnosis
- Sens. Calibration
- LED Test
- Tone Send Test
- Modem Send Test
- Modem Rec. Test
- MF(Tone) Test
- Tone(T/F) Test
- LOOP BACK 1
- LOOP BACK 2
- INFO0 SENDING
- INFO1 SENDING
- INFO3 SENDING
- PULSE (1KHZ) SEND
- PULSE (2KHZ) SEND
- PULSE (N2KHZ) SEND

Setup

01	Service Bit
02	Monitor Cont.
03	Country Code
04	Time Date Print
05	TSI Print
06	TAD Mode
07	Real Time Dial
08	TEL/FAX Switch
09	MDY/DMY
10	Long Doc. Scan
11	Tone For Echo
12	MH Only
13	H/Modem Rate
14	T1(TX)Timer Value
15	T1(RX) Timer Value
16	T2 Timer *100ms
17	DIS Bit32
18	Error Criterion
19	Off Hook Bypass
20	NL Equalizer
21	Attenuator
22	T/F Tone ATT.
23	MF ATT.
24	Ring Dura. * 10ms
25	CML Timing *100ms
26	LED Head Strobe
27	Media Type
28	TR Latch Current
29	V34 TX Retry
30	Symbol Rate
31	NSF Switch
32	ID/TSI Priority
33	Toner Count Clear
34	Parallel Pick Up
35	Print Priority
36	JBIG Facility
37	LLC Check



2.9.2 Technical Functions: Setup

1. This section explains items generally conducted by service personnel, not by users.

(1) Step access

- 1) The machine is standby state with no document.
- 2) Press the MENU/EXIT key once.
- 3) Press the RESOLUTION key twice.
The display will be shown the "TECHNICAL PRG."
- 4) Press the SHIFT DOWN (⇩) key.
The menu option "2 SETUP" indicated by the blinking cursor is selected, and press the ENTER/SHIFT RIGHT (⇨) key.
- 5) The display will be shown "SETUP".
- 6) You can access a desired function by switching among menus using SHIFT keys (⇧, ⇩, ⇨, ⇦).

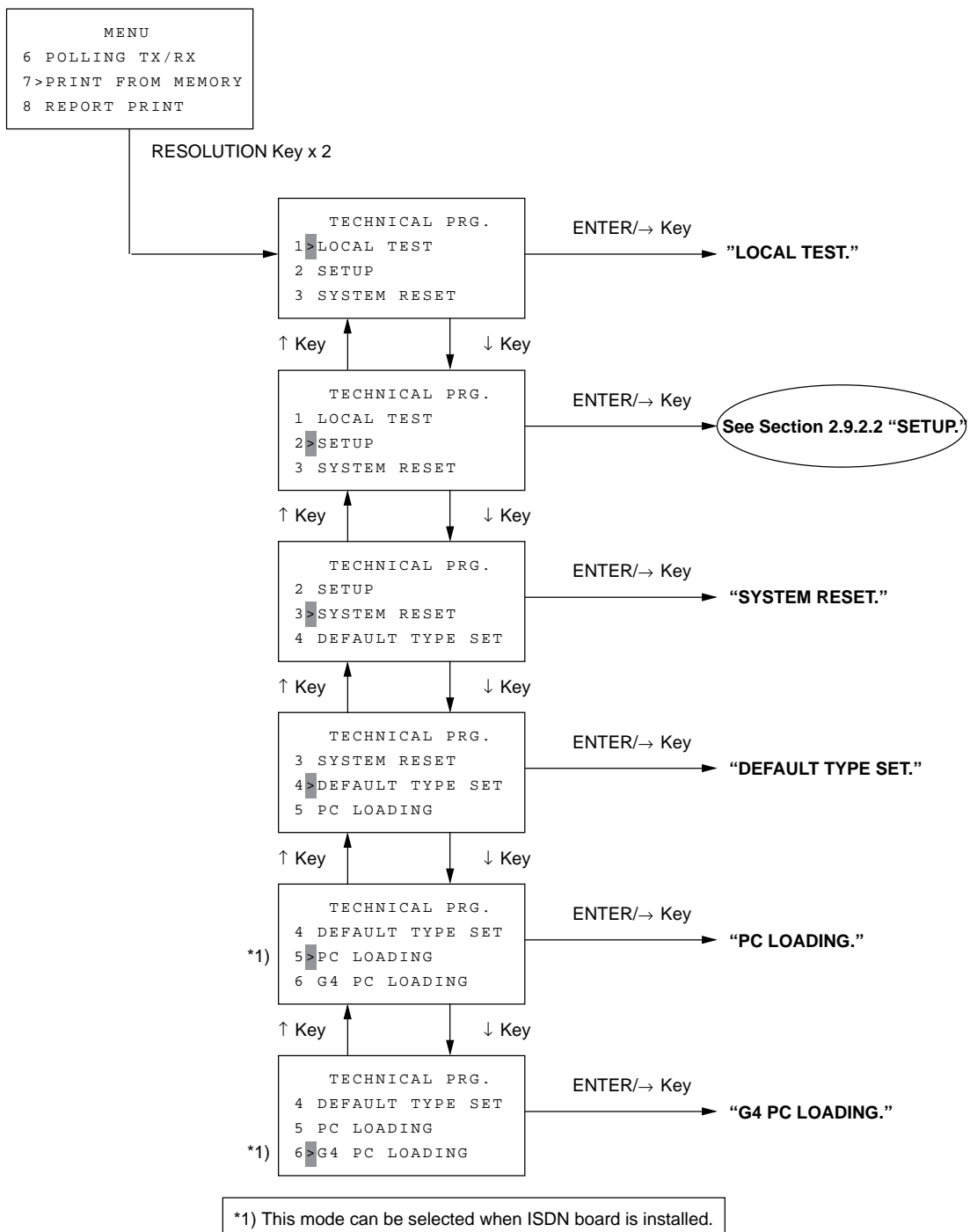
(2) Speed access

- 1) The machine is standby state with no document.
- 2) Press the MENU/EXIT key once.
- 3) Press the RESOLUTION key twice.
The display will be shown the "TECHNICAL PRG."
- 4) Typing a speed access number in the "TECHNICAL PRG. XX" (XX: 01 to 37) display allows you to bring up the setting or registration screen directly.

2.9.2.1 Technical Functions Operation 1

Select Menu is shown as below:

1. Local Test
2. Technical Setup: Go to Section 2.9.2.2
3. System Reset
4. Default Type Set
5. PC Loading
6. G4 PC Loading

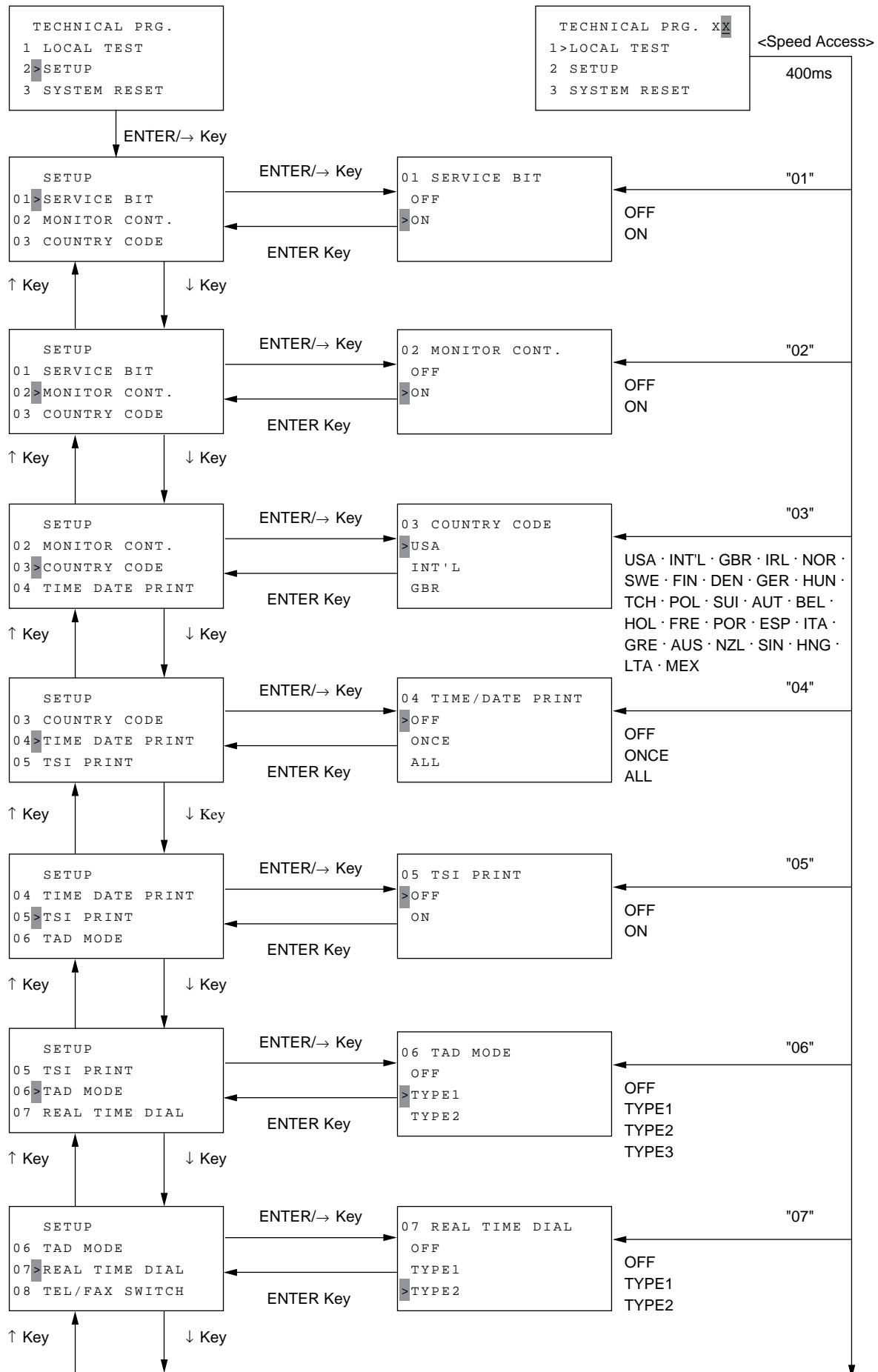


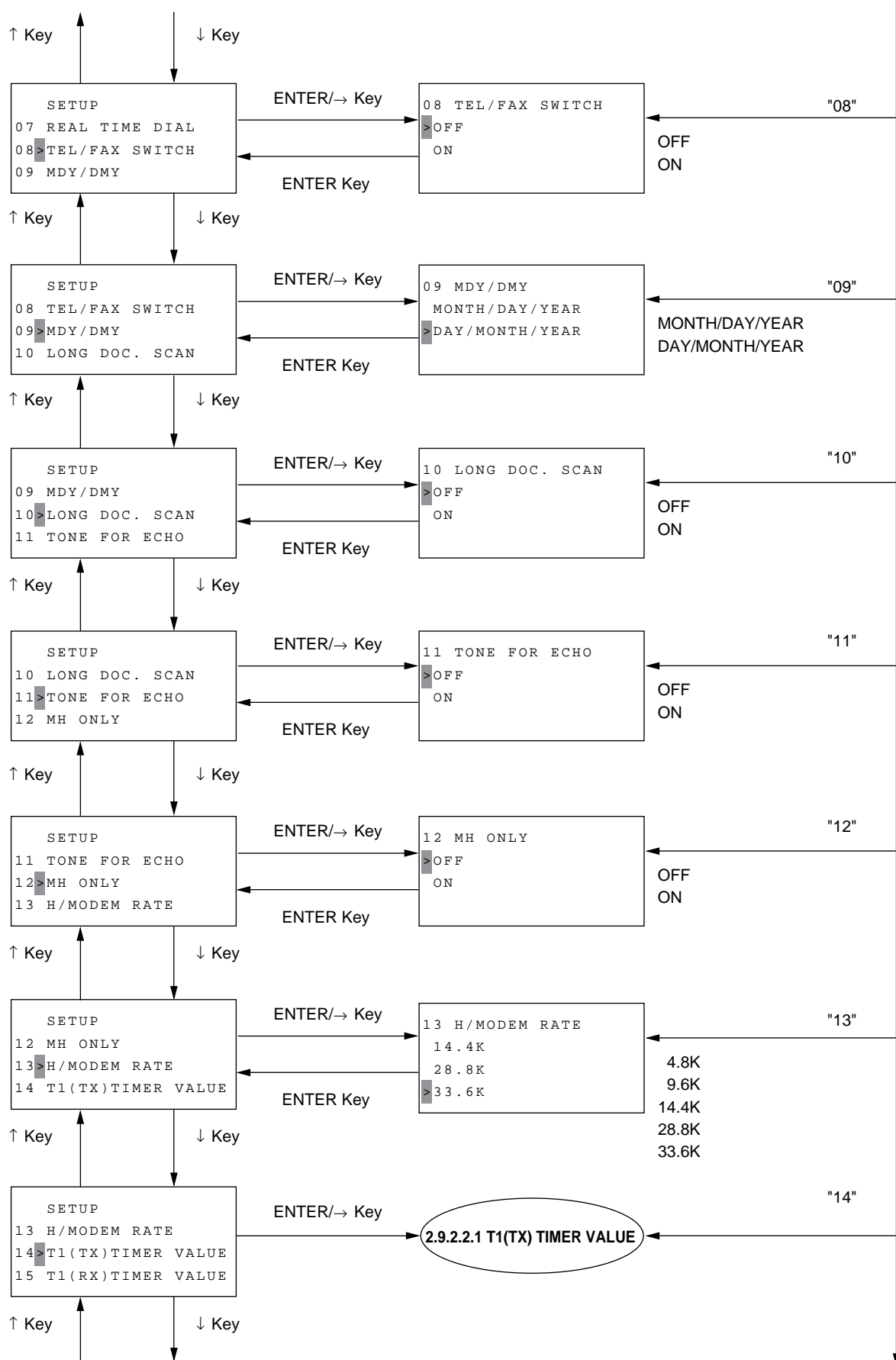
2.9.2.2 Technical Functions Operation 2

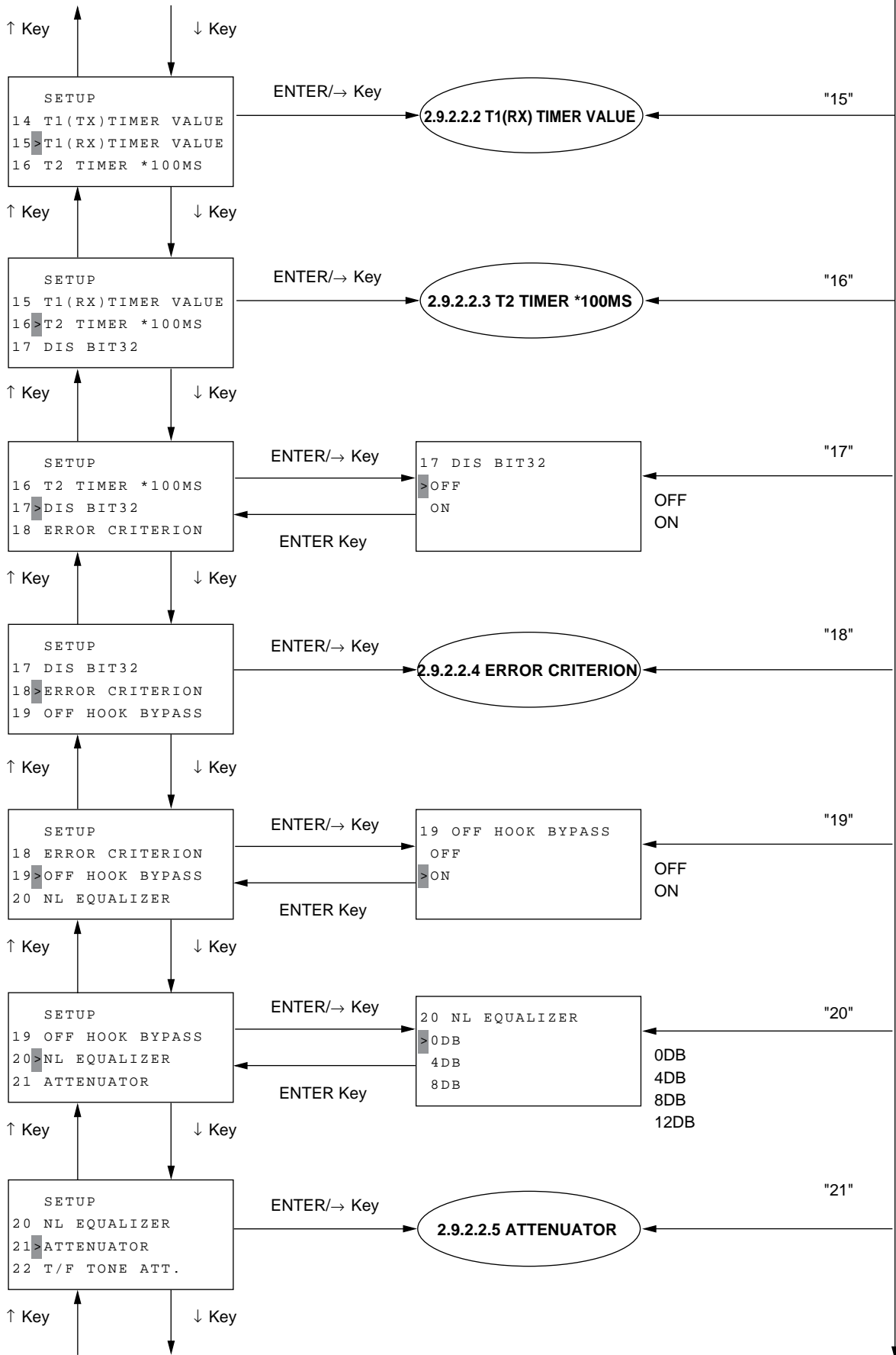
Setup

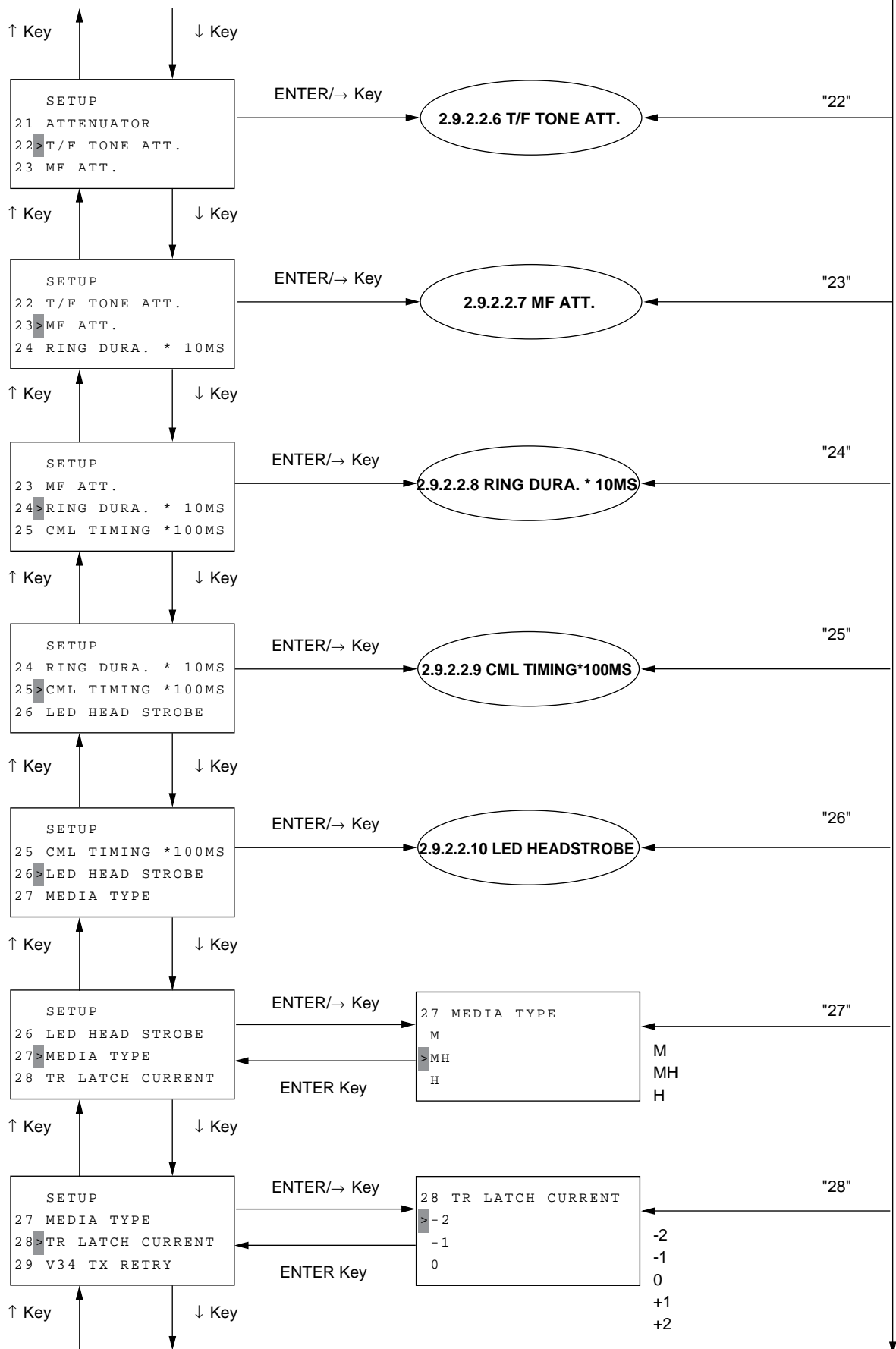
01: Service Bit	(OFF/ON)
02: Monitor Cont.	(OFF/ON)
03: Country Code	(selecting the country code)
04: Time/Date Print	(OFF/ONCE/ALL)
05: TSI Print	(OFF/ON)
06: TAD Mode	(OFF/TYP1/TYP2/TYP3)
07: Real Time Dial	(OFF/TYP1/TYP2)
08: TEL/FAX Switch	(OFF/ON)
09: MDY/DMY	(Month/Day/Year or Day/Month/Year)
10: Long Doc. Scan	(OFF/ON)
11: Tone For Echo	(OFF/ON)
12: MH Only	(OFF/ON)
13: H/Modem Rate	(4.8/9.6/14.4/28.8/33.6k)
14: T1(TX) Timer Value	(10 to 255)
15: T1(RX) Timer Value	(10 to 255)
16: T2 Timer *100ms	(1 to 255) *100ms
17: DIS Bit32	(OFF/ON)
18: Error Criterion	(0 to 99%)
19: OFF Hook Bypass	(OFF/ON)
20: NL Equalizer	(0/4/8/12dB)
21: Attenuator	(0 to 15dB) Country code=FRE, (7 to 15dB) Country code=FRE
22: TF Tone Attenuator	(0 to 15dB)
23: MF Attenuator	(0 to 15dB)
24: Ring Dura. *10ms	(10 to 99) *10ms
25: CML Timing *100ms	(1 to 19) *100ms
26: LED Head Strobe	(00000 to 11111)
27: Media Type	(M/MH/H)
28: TR Latch Current	(-2/-1/0/+1/+2)
29: V34 TX Retry	(OFF/ON)
30: Symbol Rate	(2400/2800/3200/3429)
31: NSF Switch	(OFF/ON)
32: ID/TSI Priority	(OFF/ON)
33: Toner Count Clear	(OFF/ON)
34: Parallel Pick Up	(OFF/ON)
35: Print Priority	(OFF/ON)
36: JBIG Facility	(OFF/ON)
37: LLC Check	(OFF/ON)

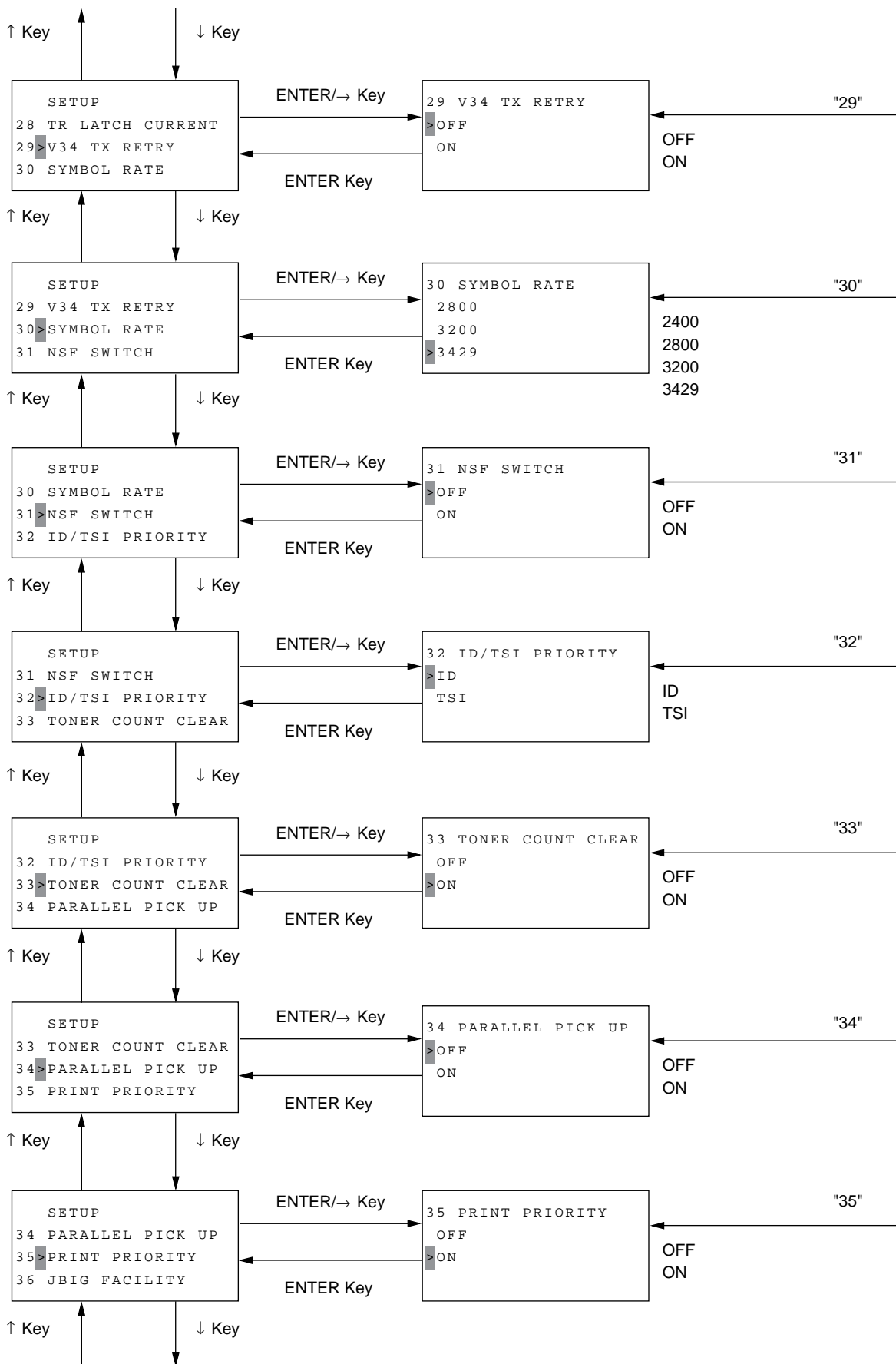
See Section 2.9.2.3 Technical Functions (Setup) for the detail.

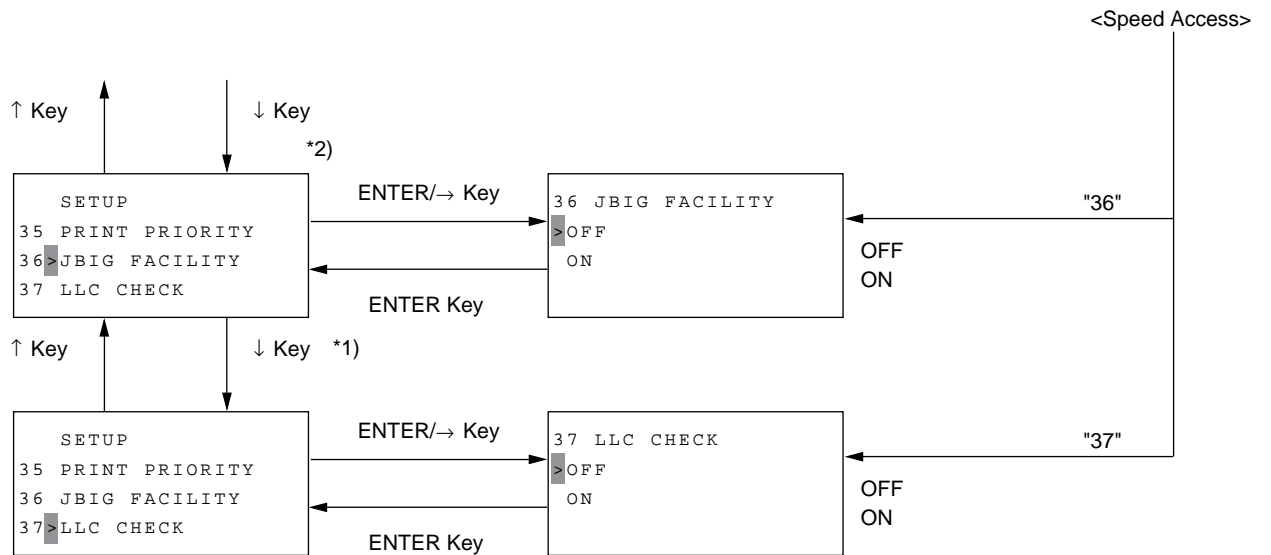












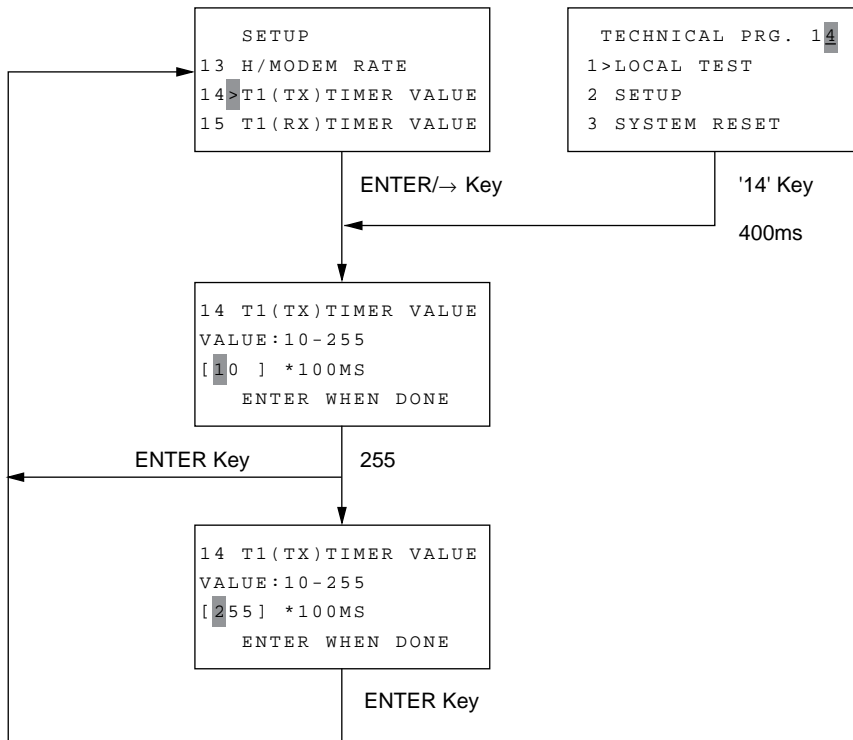
Some options of the SETUP menu cannot be selected depending on the destination of delivery, machine specs, and machine settings. However, numbers related to speed access are fixed. If there are unselective options, these numbers become discontinuous.

*1): This mode can be made only when ISDN board is installed. "FUNC.NOT AVAIL" is indicated during 3 seconds by pressing ENTER/→key in the case of MUPIS I/F mode.

*2): OKIFAX 5700 cannot be set up.

2.9.2.2.1 T1 (TX) Timer Value

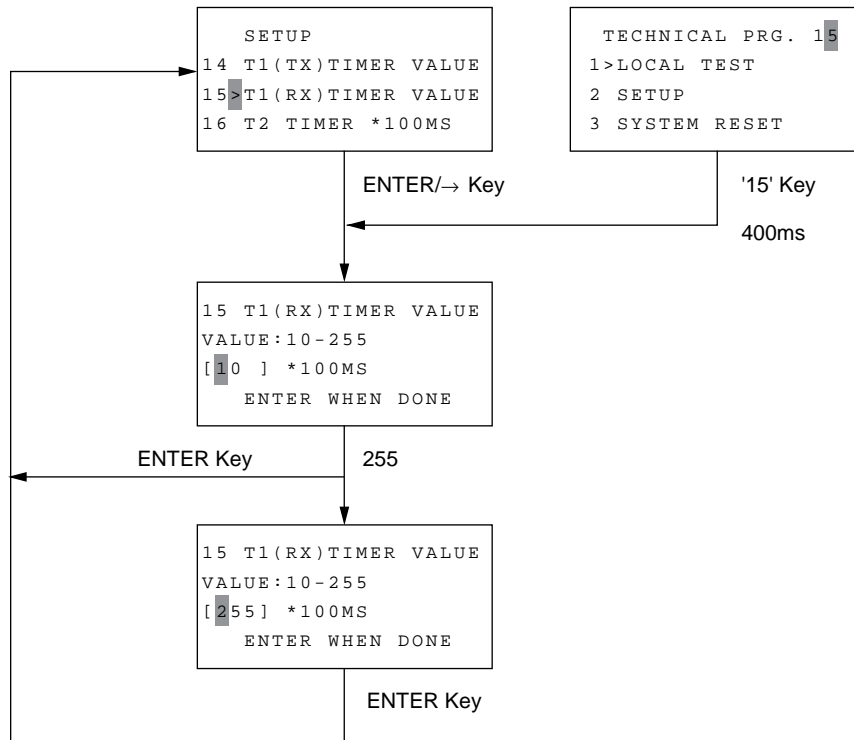
Set the T1 timer (call connection wait time: XTTO) for transmission.



2.9.2.2.2 T1 (RX) Timer Value

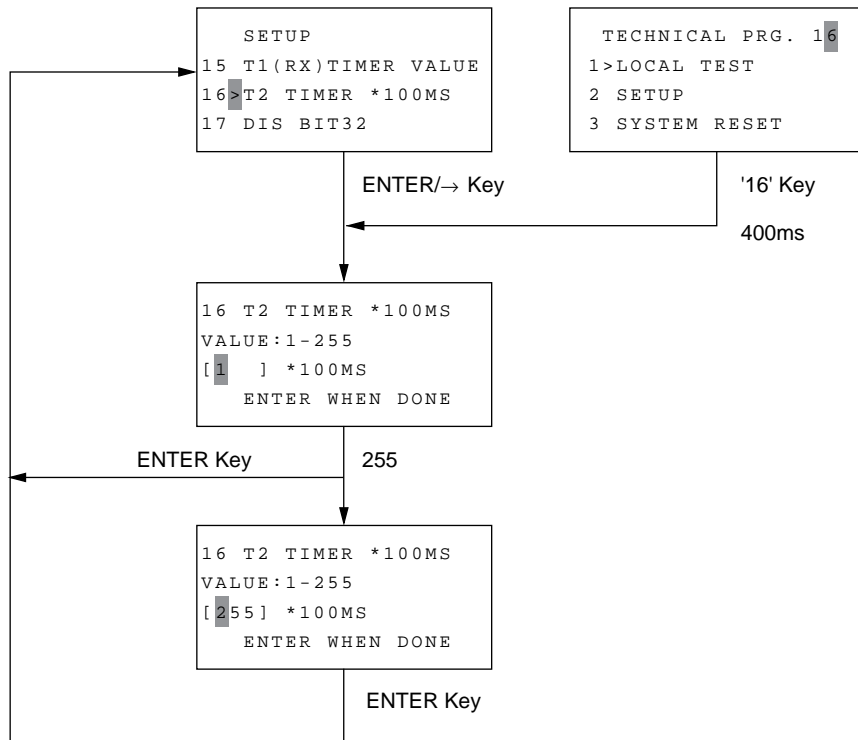
Set the T1 timer for reception.

The time from issue of the first DIS to issue of a signal is checked. If a time-out occurs, the line is disconnected.



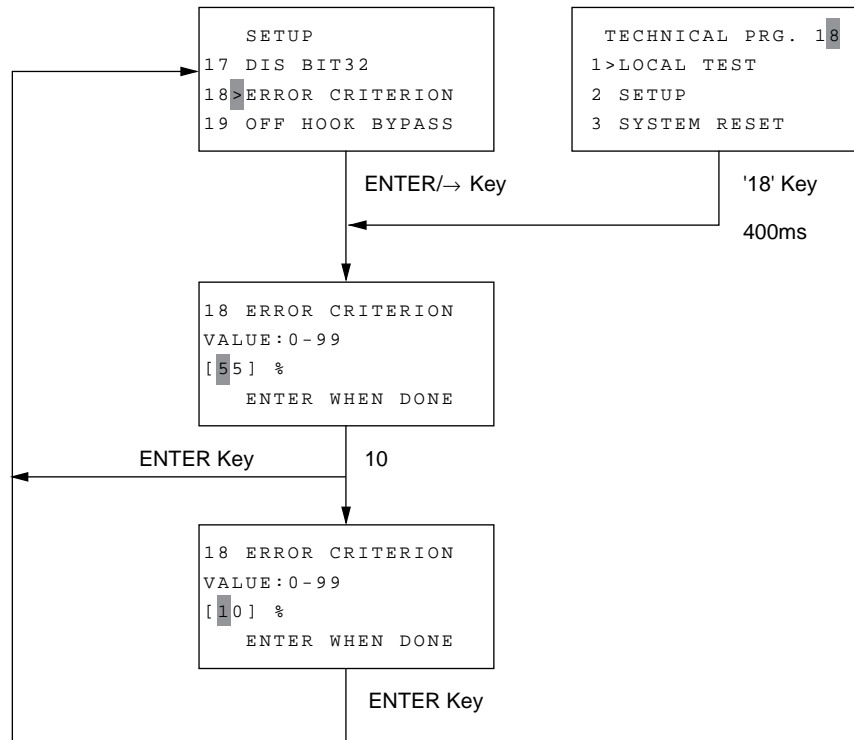
2.9.2.2.3 T2 Timer *100ms

Registers the time duration (in seconds) for which the fax detects the EOL interval during reception of phase C. The fax disconnects the line when EOL cannot detect within T2 Timer.



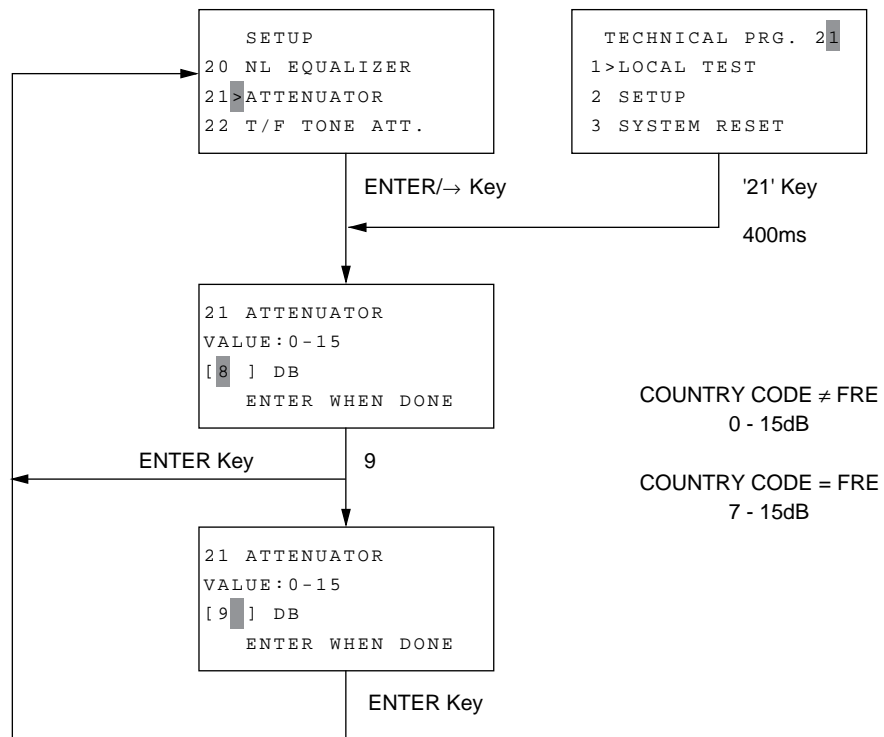
2.9.2.2.4 Error Criterion

Registers the threshold value whether to transmit RTN or MCF signal when the error occurs in received data.



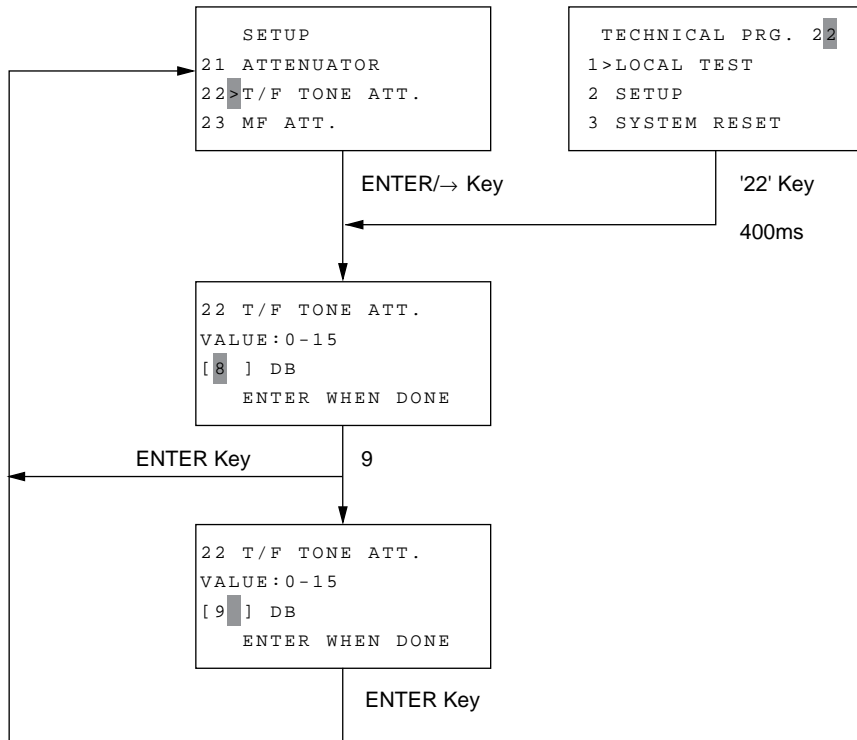
2.9.2.2.5 Attenuator

Adjusts the attenuation (dB) for the message send signal power level. Adjusting value is 0 to 15dB in one dB steps.



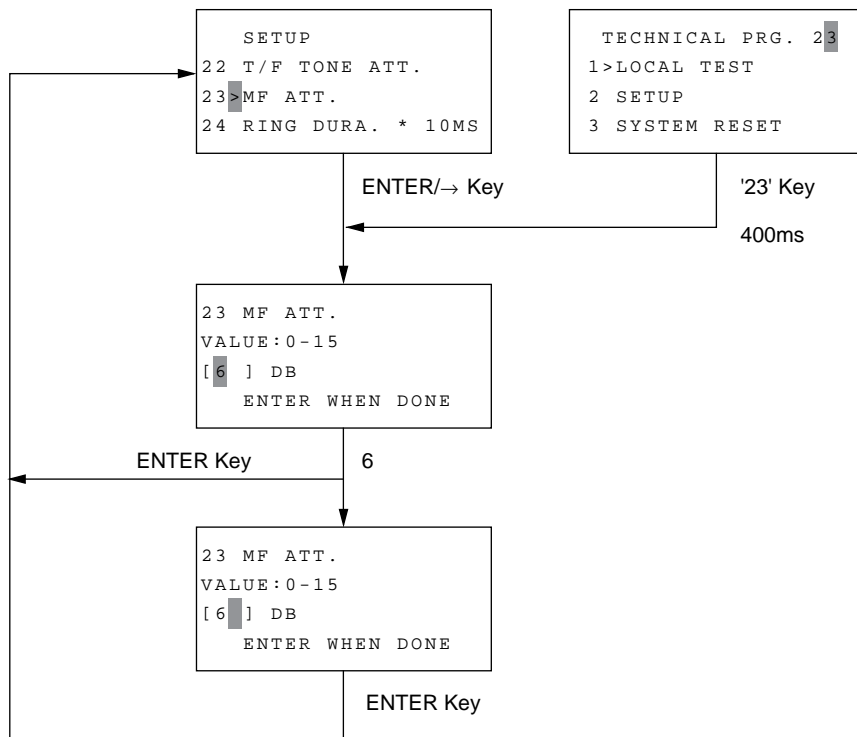
2.9.2.2.6 T/F Tone Att.

Adjusts the attenuation (dB) for the quasi-ring back tone send signal of TEL/FAX switching. Adjusting value is 0 to 15dB in one dB steps.



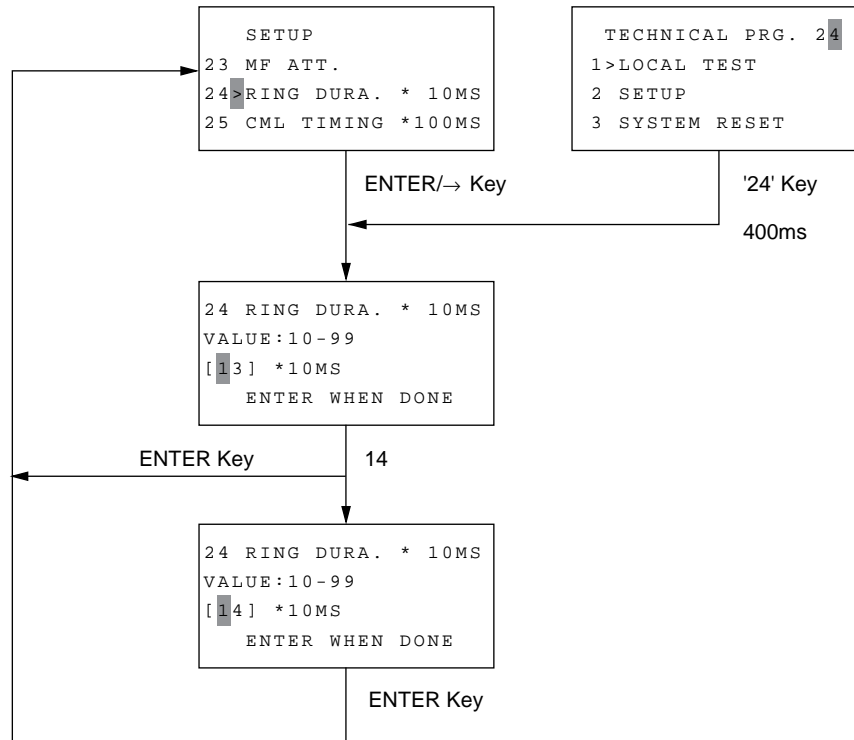
2.9.2.2.7 MF Att.

Adjusts the attenuation (dB) for the send MF tone power level. Adjusting value is 0 to 15dB in one dB steps.



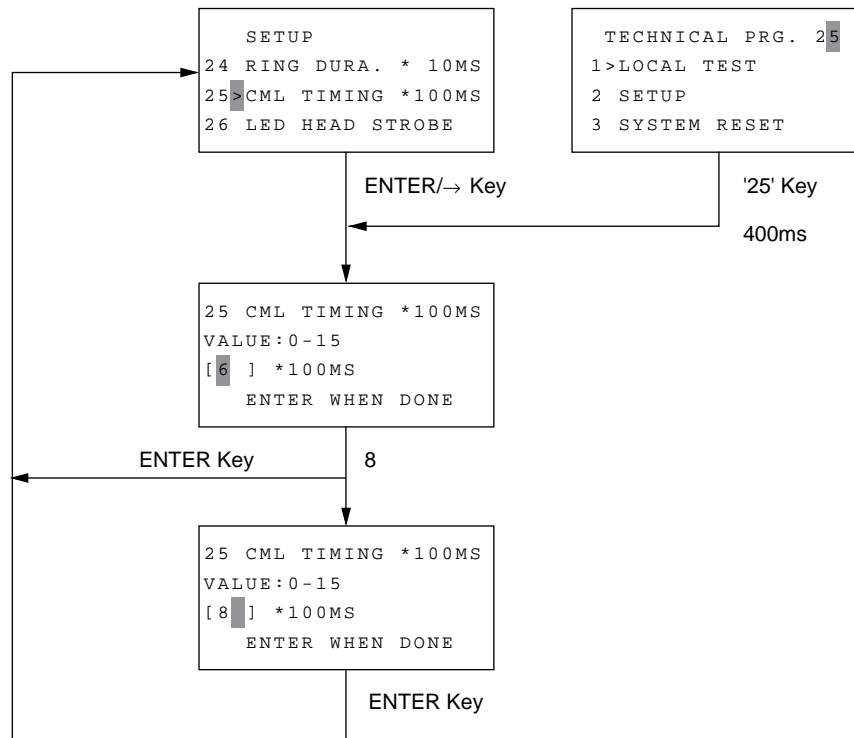
2.9.2.2.8 Ring Dura. *10ms

Selects the minimum ring detection time to meet country's requirements. Adjusting time is 100MS to 990MS in 10MS steps.



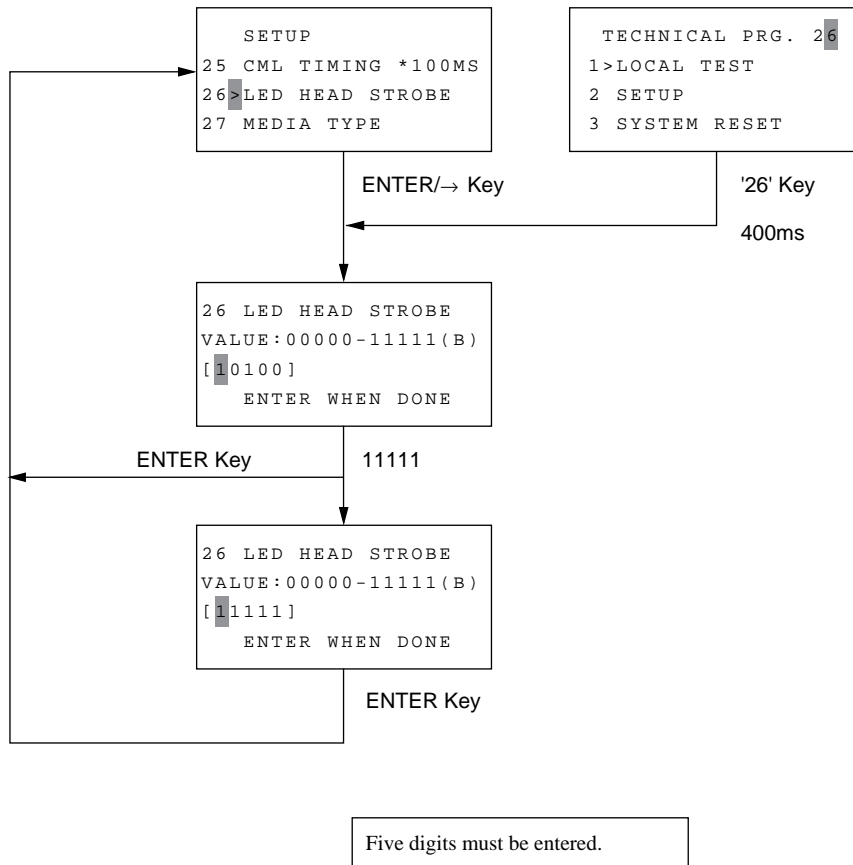
2.9.2.2.9 CML Timing *100ms

Selects the time from end of ring to CML-ON. Adjusting time is 100MS to 1900MS in 100MS steps.



2.9.2.2.10 LED Headstrobe

Setting of LED print head strobe signals (00000 - 11111). Selection of strobe sidth in LED head. "00000" is lightest and "11111" is darkest.



2.9.2.3 Technical Functions (Setup)

- Table 2.9.2.3 shows the initial setting items and their purpose. (The default setting is different by the individual countries.)
- Each item can be accessed by entering it on Technical Setup.
- The detailed procedures of the initial setting items will be explained on the following tables.

Table 2.9.2.3 Technical Functions: Setup (1/11)

No.	Item	Specifications
01	Service bit	<p>Enables the serviceman to make special settings. If this setting is OFF, some settings and report print function may become unavailable.</p> <p>1) Setting values ON: Enables the serviceman to make settings. OFF: Disables the serviceman to make settings.</p>
02	Monitor control	<p>Sets up the line monitor. If this setting is OFF at the time of transmission, the line is monitored during dialing but the line will not be monitored after a specified time lapse (about 5 sec). If this setting is ON, the line will be monitored till the end of communication.</p> <p>1) Setting values ON: Monitored continuously OFF: Not monitored continuously * The tone level can be adjusted by setting Monitor Volume.</p>
03	Country code	<p>Set a country code.</p> <p>1) Setting values Select a country code: USA/INT/GBR/IRL/NOR/SWE/FIN/DEN/GER/HUN/TCH/POL/SUI/AUT/BEL/HOL/FRE/ POR/ESP/ITA/GRE/AUS/NZL/SIN/HNG/LTA/MEX * The setting data must be transferred to the G4 board. * Setup a dial parameter when changing a country code. * Distinctive ring sets to OFF. * In case Country code is changed in FRE: Forcibly, set to 7dB when the attenuator setting values are set between 0dB to 6dB.</p>

Table 2.9.2.3 Technical Functions: Setup (2/11)

No.	Item	Specifications
04	Time and date print	<p>Determine whether the date and time set on the local machine are to be printed at the beginning of the received image.</p> <p>1) Setting values OFF/ONCE/ALL selectable. OFF: Not printed ONCE: Printed on page 1 only ALL: Printed on all pages</p>
05	TSI print	<p>Determine whether a TSI is to be printed in the received image.</p> <p>1) Setting value ON: Printed OFF: Not printed</p> <p>* When this setting is ON and TIME/DATE PRINT is set to ALL , a TSI is printed on all received pages. In other cases, a TSI is printed on the first page only.</p> <p>* When a TSI has not been registered but a personal ID has been registered, the personal ID is printed.</p> <p>(Reference) TSI: Transmitting Subscriber Identification</p>

Table 2.9.2.3 Technical Functions: Setup (3/11)

No.	Item	Specifications
06	TAD mode (For external telephone answering device.)	<p>Switches between TAD modes. This setting is required to determine whether TAD is to be selected in the AUTO ANSWER mode and set the fax operation to be performed after completion of TAD-side operation (response).</p> <p>In the TAD mode, a message is recorded in the telephone memory if the telephone (connected externally) answers automatically when the facsimile is ready for reception. After completion of message recording, the line is switched to the facsimile. If CNG is detected while the telephone is answering automatically, reception starts immediately.</p> <p>1) Setting values OFF/TYPE1/TYPE2/TYPE3 selectable.</p> <p>* Relationships between settings and operations are as follows: OFF: TAD cannot be selected in the AUTO ANSWER mode. TYPE1: When TAD operation ends without detecting CNG, the line is switched to the facsimile starting reception immediately. TYPE2: After completion of TAD operation, the machine returns to the standby state. TYPE3: The machine starts detecting CNG 15 seconds after the telephone starts the auto answering operation. If TAD operation ends without detecting CNG, the machine returns to the standby state.</p> <p>* When this setting is set to OFF in the TAD mode, the FAX mode will be selected automatically.</p>
07	Real time dialing	<p>Determine whether real-time dialing is enabled. If it is enabled, determine when it will be enabled.</p> <p>1) Setting values OFF/TYPE1 (External telephone is off-hooked)/TYPE2 selectable.</p> <p>OFF: Real-time dialing is disabled (accumulated dialing only) TYPE1: Enabled when the external telephone is off-hooked. TYPE2: Enabled when the external telephone is off-hooked or the HOOK key is pressed.</p>

Table 2.9.2.3 Technical Functions: Setup (4/11)

No.	Item	Specifications												
08	TEL/FAX switching	<p>Determine whether the TEL/FAX mode can be selected in the AUTO ANSWER mode.</p> <p>1) Setting values ON: Selective OFF: Not selective * When OFF is selected in the TEL/FAX mode, the FAX mode will be selected automatically.</p> <p>Related item: • Technical Function: Setup No.22 (T/F tone attenuator) • User Functions: Incoming Options No.62 (T/F timer Prg.)</p>												
09	MDY/DMY	<p>Select a date display mode for LCD display and report printing.</p> <p>1) Setting value MDY (Month/Day/Year)/DMY (Day/Month/Year) selectable.</p>												
10	Long document Scan	<p>Determine whether long documents (380 mm or longer) are to be scanned during transmission or copying.</p> <p>1) Setting values ON: 1500 mm or 60 minutes OFF: 380 mm or 60 minutes * 60 minutes = Transmission time</p>												
11	Tone for Echo	<p>Determine whether an echo suppressor protection tone is to be added. This setting is required when the line condition is poor (overseas communication, etc.).</p> <p>1) Setting value ON: Added OFF: Not added</p> <p>* During speed dial transmission, this setting is ignored because communication parameters are referenced. * This setting affects the following settings:</p> <table border="1" data-bbox="799 1704 1241 1928"> <tbody> <tr> <td>Echo Protection</td> <td>OFF</td> <td>ON</td> </tr> <tr> <td>Ignore 1st DIS</td> <td>OFF</td> <td>ON</td> </tr> <tr> <td>CED - DIS Timer</td> <td>75ms</td> <td>1.5sec</td> </tr> <tr> <td>Tone for Echo</td> <td>OFF</td> <td>ON</td> </tr> </tbody> </table>	Echo Protection	OFF	ON	Ignore 1st DIS	OFF	ON	CED - DIS Timer	75ms	1.5sec	Tone for Echo	OFF	ON
Echo Protection	OFF	ON												
Ignore 1st DIS	OFF	ON												
CED - DIS Timer	75ms	1.5sec												
Tone for Echo	OFF	ON												

Table 2.9.2.3 Technical Functions: Setup (5/11)

No.	Item	Specifications
12	MH only	<p>Determine whether only MH coding is to be handled forcibly. Switches the function of limiting the image compression to MH codes only. This setting is required when the line noise affects the received image.</p> <p>1) Setting values</p> <p>ON: MH only OFF: MMR, MR, or MH is selected depending on communication capacity</p>
13	High-speed modem rate	<p>Set the initial value of modem transmission speed.</p> <p>1) Setting values 33.6/28.8/14.4/9.6/4.8k bps selectable.</p>
14	T1(TX) timer value	<p>Set the T1 timer (call connection wait time: XTTO) for transmission. * T1 (TX) is a time to detect up to 3 flags of DIS sent from a called fax machine. This timer sets the time that lapses from the moment the last digit has been transmitted to the moment the line is disconnected.</p> <p>1) Setting values 10-255 selectable (in 1 second steps) * Enter a value using ten-keys.</p>
15	T1(RX) timer value	<p>Set the T1 timer for reception. The time from issue of the first DIS to issue of a signal is checked. If a time-out occurs, the line is disconnected.</p> <p>1) Setting values 10-255 selectable (in 1 second steps) * Enter a value with ten-keys.</p>
16	T2 timer *100ms	<p>Set the T2 timer. The T2 timer is an EOL(End Of Line) signal interval timer used for G3 image reception or an instruction reception wait timer. If any signal cannot be detected within the timer-set time, the fax disconnects the line.</p> <p>1) Setting values 1-255 selectable (in 100 ms steps) * Enter a value with ten-keys. * Actual value = (Set value) x 100 ms Suppose the set value is 060, then 060 x 100 ms = 6 s</p>

Table 2.9.2.3 Technical Functions: Setup (6/11)

No.	Item	Specifications
17	DIS bit32	<p>Determine whether the thirty-second bit (expansion bit) of DIS is to be sent out.</p> <p>1) Setting values ON: Transmits a bit32 and a succeeding bit 32. OFF: Not transmit * When OFF is selected, machines of other companies cannot receive documents in the EX.FINE, SEP/SUB mode or JBIG.</p>
18	Error criterion	<p>Set an image error criterion (RTN sending standard). * Sets the threshold value whether to transmit RTN or MCF signal when the error occurs in received data.</p> <p>1) Setting values 00-99 (%) selectable (in 1% steps) * Enter a value with ten-keys.</p>
19	Off-hook bypass	<p>Determine whether on-hook is regarded as off-hook. * Switches the function of maintaining communication without hooking up the telephone set in normal testing etc.</p> <p>1) Setting values ON: bypassed OFF: Not bypassed</p> <p><i>Note:</i> When ON is selected in off-hook bypass mode, the COPY operation cannot be used.</p>
20	NL equalizer	<p>Set up the reception amplitude equalizer.</p> <p>1) Setting values Select one of the following values according to the line length: 0 dB/4 dB/8 dB/12 dB selectable.</p>

Table 2.9.2.3 Technical Functions: Setup (7/11)

No.	Item	Specifications
21	Attenuator	<p>Set the FAX signal attenuator (level).</p> <ul style="list-style-type: none"> • Since the maximum send signal power level (dB) of the fax is at 0dB, you can select 0dB to -15dB in one dB steps for the send signal power level. <p>1) Setting values 0-15 dB selectable (in 1 dB steps): except FRE FRE: 7-15dB In case Country code is changed in FRE, Forcibly, set to 7dB when the attenuator setting values are set between 0dB to 6dB. * Enter a value with ten-keys.</p> <p><i>Note:</i> The send signal power level should meet your country's regulations. Some country's may specify the power level at telephone exchange. In that case, you should subtract the specified level from the line cable attenuation to determine the send level of your fax.</p>
22	T/F tone attenuator (for TEL/FAX switch)	<p>Set the T/F pseudo ring back tone signal attenuator (level).</p> <p>1) Setting values 0-15 dB selectable (in 1 dB steps) * Enter a value with ten-keys.</p>
23	MF attenuator	<p>Set the MF signal attenuator (level).</p> <p>1) Setting values 0-15 dB selectable (in 1 dB steps) * Enter a value with ten-keys.</p>
24	Ring duration detection time *10 ms	<p>Set a ring detection time within the range from 100 ms to 990 ms.</p> <p>1) Setting values 10-99 selectable (in 10 ms steps) * Enter a value with ten-keys. * Actual value = (Set value) x 10 ms Suppose the set value is 12, then 12 x 10 ms = 120 ms</p>
25	CML timing *100ms	<p>Set a line seizure timing within the range from 100 ms to 1900 ms.</p> <p>1) Setting values 1-19 selectable (in 100 ms steps) * Enter a value with ten-keys. * Actual value = (Set value) x 100 ms Suppose the set value is 03, then 03 x 100 ms = 300 ms</p>

Table 2.9.2.3 Technical Functions: Setup (9/11)

No.	Item	Specifications
27	Media type	<p>Set the recording paper quality (thickness).</p> <p>1) Setting values M (Medium)/MH (Thicker than medium)/H (Thick) selectable.</p>
28	Transfer roller latch current	<p>Set an imprinting latch current value.</p> <p>1) Setting values -2/-1/0/+1/+2 selectable.</p>
29	V34 TX retry	<p>Determine whether the V34 communication error is to be remembered.</p> <p>1) Setting values ON: Remembered OFF: Nor remembered</p>
30	Symbol rate	<p>Set the V.34 modem symbol rate.</p> <p>1) Setting values 2400/2800/3200/3429 selectable.</p>
31	NSF switch	<p>Determine whether the NSS/NSF signal is to be sent out.</p> <p>1) Setting values ON: Sent OFF: Not sent</p> <p>* If data is transmitted with this setting OFF, DCS transmission is performed (NSC is not sent) even if the Oki NSF is received. Relay initiate transmission operation cannot be performed.</p> <p>* If REMOTE DIAGNOSIS is set to ON although NSF Switch (this setting) is set to OFF, an NSF is sent and sent immediately if Oki's original function is ON (confidential, etc.).</p>

Table 2.9.2.3 Technical Functions: Setup (10/11)

No.	Item	Specifications																																																		
32	ID/TSI priority	<p>Determines whether the personal ID or TSI is given priority during LCD display and printing.</p> <p>1) Setting values ID: Personal ID is given priority TSI: TSI is given priority</p> <table border="1" data-bbox="742 519 1332 795"> <thead> <tr> <th rowspan="3">Priority</th> <th colspan="2">ID/TSI PRIORITY=ID</th> <th colspan="2">ID/TSI PRIORITY=TSI</th> </tr> <tr> <th colspan="2">LCD display during communication Description in communication management report</th> <th colspan="2">LCD display during communication Description in communication management report</th> </tr> <tr> <th>TX</th> <th>RX</th> <th>TX</th> <th>RX</th> </tr> </thead> <tbody> <tr> <td>1 (High)</td> <td>Personal ID</td> <td>Personal ID</td> <td>CSI</td> <td>TSI</td> </tr> <tr> <td>2</td> <td>CSI</td> <td>TSI</td> <td>Calling No.</td> <td>(Calling No.)</td> </tr> <tr> <td>3</td> <td>Calling ID</td> <td>(Calling ID)</td> <td>(Personal ID)</td> <td>Personal ID</td> </tr> <tr> <td>4 (Low)</td> <td>Calling No.</td> <td>(Calling No.)</td> <td>-</td> <td>-</td> </tr> </tbody> </table> <p style="text-align: right;">* Shaded combinations do not exist actually.</p>	Priority	ID/TSI PRIORITY=ID		ID/TSI PRIORITY=TSI		LCD display during communication Description in communication management report		LCD display during communication Description in communication management report		TX	RX	TX	RX	1 (High)	Personal ID	Personal ID	CSI	TSI	2	CSI	TSI	Calling No.	(Calling No.)	3	Calling ID	(Calling ID)	(Personal ID)	Personal ID	4 (Low)	Calling No.	(Calling No.)	-	-																	
Priority	ID/TSI PRIORITY=ID			ID/TSI PRIORITY=TSI																																																
	LCD display during communication Description in communication management report			LCD display during communication Description in communication management report																																																
	TX	RX	TX	RX																																																
1 (High)	Personal ID	Personal ID	CSI	TSI																																																
2	CSI	TSI	Calling No.	(Calling No.)																																																
3	Calling ID	(Calling ID)	(Personal ID)	Personal ID																																																
4 (Low)	Calling No.	(Calling No.)	-	-																																																
33	Toner counter clear	<p>Determine whether the toner counter can be cleared regardless of the service bit setting (ON/OFF).</p> <p>1) Setting values ON: Can be cleared OFF: Cannot be cleared</p> <table border="1" data-bbox="734 1070 1343 1370"> <thead> <tr> <th rowspan="3">Various counters</th> <th rowspan="3">Display clear</th> <th colspan="2">Counter display</th> <th colspan="2">Counter clear</th> <th rowspan="3">Remarks</th> </tr> <tr> <th colspan="2">Service bit</th> <th colspan="2">Service bit</th> </tr> <tr> <th>OFF</th> <th>ON</th> <th>OFF</th> <th>ON</th> </tr> </thead> <tbody> <tr> <td>Drum</td> <td></td> <td>×</td> <td>○</td> <td>○</td> <td>○</td> <td>Can be replaced by user</td> </tr> <tr> <td>Toner</td> <td>This function is set to ON: × OFF: -</td> <td></td> <td>○</td> <td>This function is set to ON: ○ OFF: -</td> <td>○</td> <td>Can be replaced by user</td> </tr> <tr> <td>Drum total</td> <td></td> <td>-</td> <td>○</td> <td>-</td> <td>○</td> <td></td> </tr> <tr> <td>Print</td> <td></td> <td>○</td> <td>○</td> <td>×</td> <td>○</td> <td></td> </tr> <tr> <td>Scan</td> <td></td> <td>○</td> <td>○</td> <td>×</td> <td>○</td> <td></td> </tr> </tbody> </table>	Various counters	Display clear	Counter display		Counter clear		Remarks	Service bit		Service bit		OFF	ON	OFF	ON	Drum		×	○	○	○	Can be replaced by user	Toner	This function is set to ON: × OFF: -		○	This function is set to ON: ○ OFF: -	○	Can be replaced by user	Drum total		-	○	-	○		Print		○	○	×	○		Scan		○	○	×	○	
Various counters	Display clear	Counter display			Counter clear		Remarks																																													
		Service bit			Service bit																																															
		OFF	ON	OFF	ON																																															
Drum		×	○	○	○	Can be replaced by user																																														
Toner	This function is set to ON: × OFF: -		○	This function is set to ON: ○ OFF: -	○	Can be replaced by user																																														
Drum total		-	○	-	○																																															
Print		○	○	×	○																																															
Scan		○	○	×	○																																															
34	Parallel pick up	<p>Determine whether parallel pickup is enabled.</p> <p>* To control a receiving fax by 2 digits (the same digits as remote reception from a telephone set connected parallel to the telephone line. (For the detail, see section 2.9.2.6 Outline of Parallel Pick Up.)</p> <p>1) Setting values ON: Enabled OFF: Disabled</p>																																																		

Table 2.9.2.3 Technical Functions: Setup (11/11)

No.	Item	Specifications
35	Print priority	<p>Determine whether the memory is mainly used for printing. This setting is required to rescue the image data that cannot be stored in the page memory if ACC compression is carried out during PC/LAN printing.</p> <p>1) Setting values Relationships between settings and page memory capacities are as follows: ON: 2560 KB OFF: 1844 KB</p> <p><i>Note:</i> When this setting is set to ON, the memory capacities decreases to 716k bytes.</p>
36	JBIG facility	<p>Set up the encoding JBIG.</p> <p>1) Setting values ON/OFF (Only OKIFAX 5900)</p>
37	LLC check	<p>Determine whether the lower layer compatibility information instructed from the calling side is analyzed.</p> <p>1) Setting values ON (Analyzed)/OFF(Not analyzed)</p> <p>* The setting data must be transferred to the ISDN board. * Cannot be selected when ISDN option board is not installed.</p>

2.9.2.4 TEL/FAX automatic switching

This function is used for the purpose of TEL/FAX automatic switching as follows.

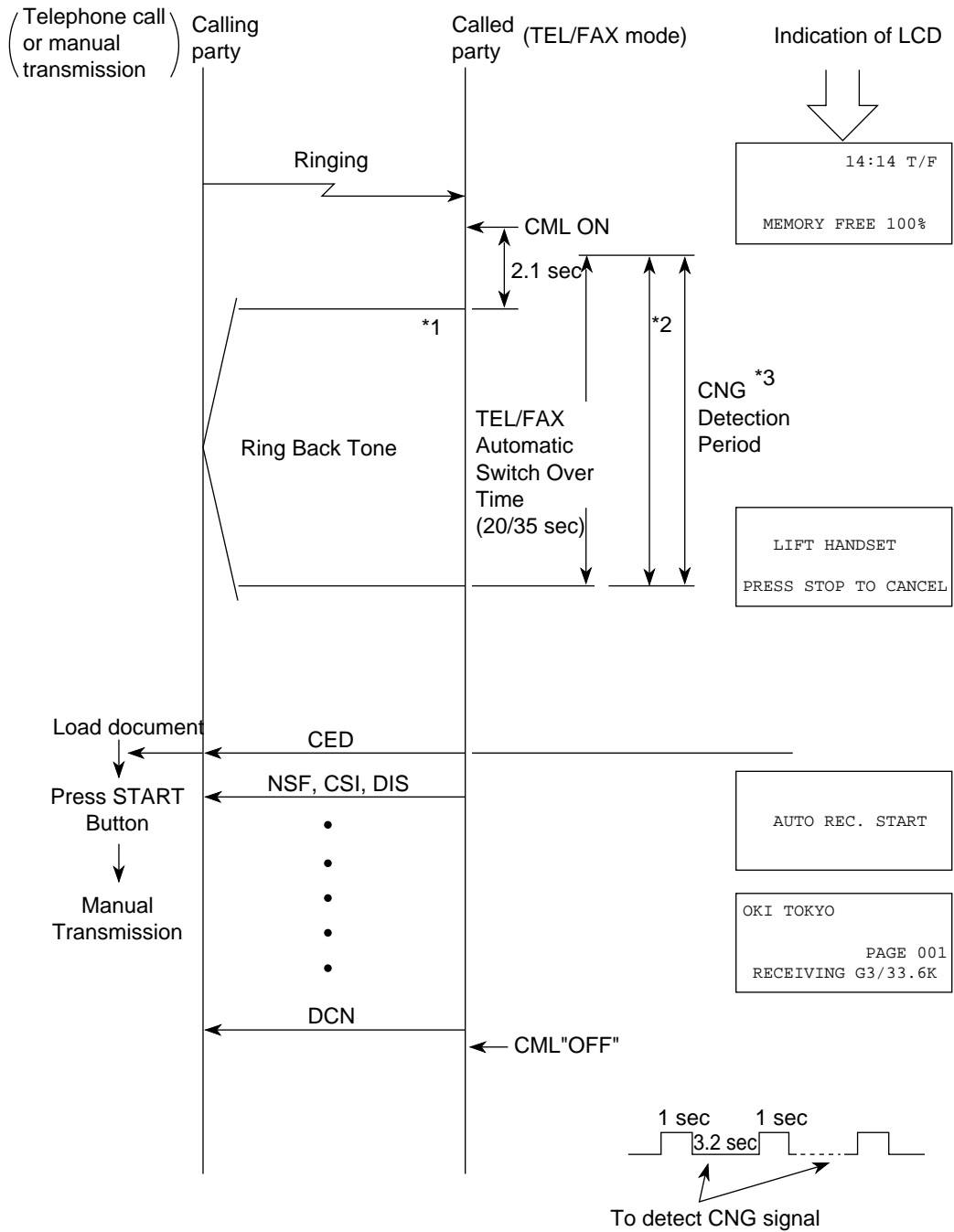
- 1) If the machine detects a call with a CNG signal indicating an auto send facsimile call, it starts an automatic document receiving operation.
- 2) If machine detects a call without a CNG signal, machine generates the buzzer sounds as a telephone call. The calling person can hear a "ring back" tone within a predetermined time.

If the operator at the called side does not lift the handset within the predetermined time, the machine automatically starts a document receiving operation.

Voice conversion will automatically be available through the internal handset by lifting up handset while the call buzzer is sounding.

- Note:*
- 1: *The predetermined time is selectable between 20 or 30 sec.
(User Functions: Incoming option No.62)*
 - 2: *No ringing signal is sent to the external telephone handset.*
 - 3: *Choice of message sending level. The level is selectable from 0 to 15 dB in one dB steps.
Technical Function: Setup No.22)*
 - 4: *TEL/FAX mode is available by Technical Function (Setup No.08).*

• TEL/FAX mode flow chart



- Notes**
- *1: Ring Back Tone — 1 sec. ON, 3.2 sec. OFF
 - *2: When you want to talk by phone, pick up handset.
 - *3: The called party can send CED to the calling party immediately to start FAX communication if the CNG is detected during the period.
 - *4: If the fax does not detect CNG signal during working of TEL/FAX mode, LCD display indicates "LIFT HANDSET".

2.9.2.5 TAD mode

- TAD: Telephone Answering Device
- TAD can be connected to external telephone terminal to record your messages.
- TAD records your speech and switches an automatic voice message response to the calling station.

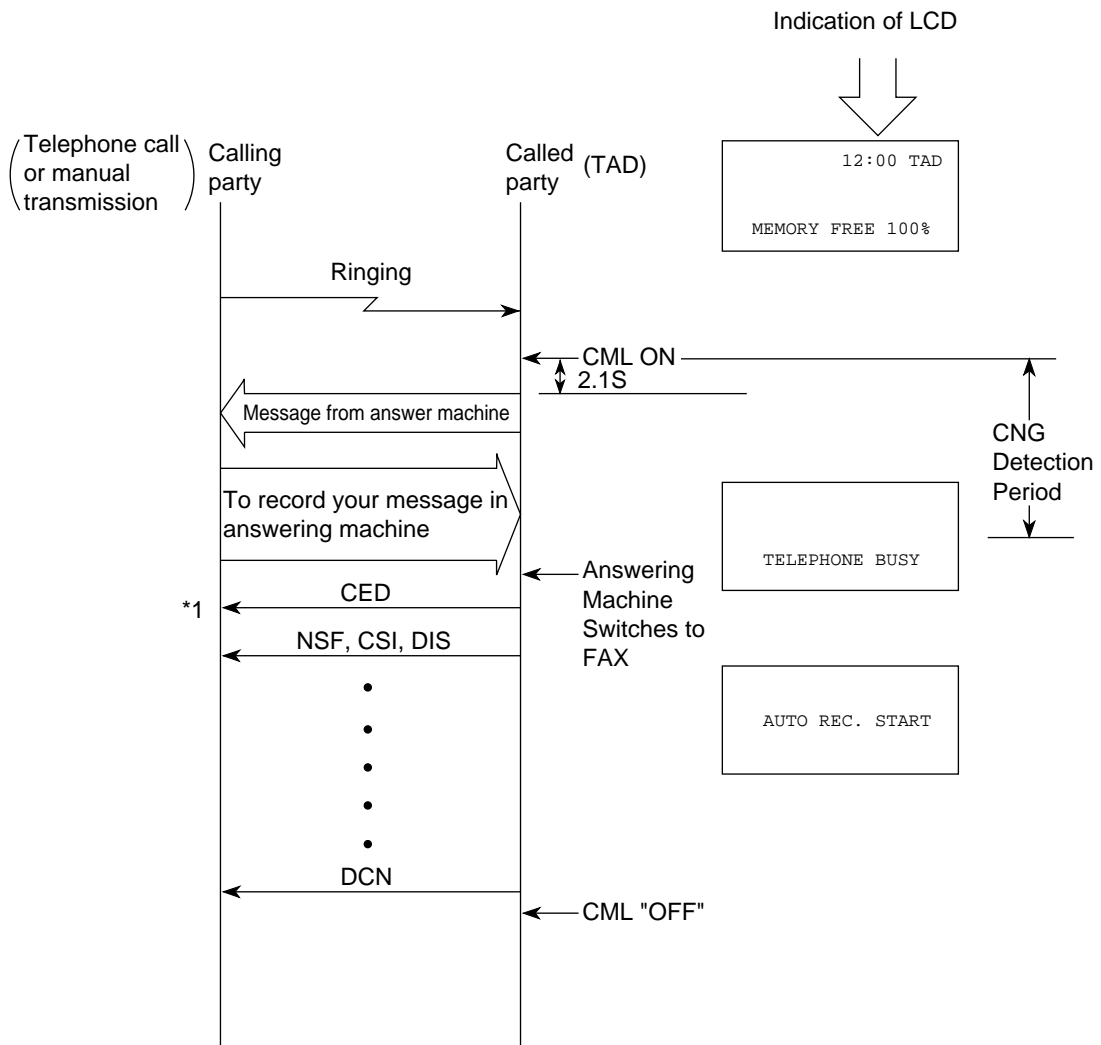
Note1: A choice of TAD mode is available by technical Function (Setup No.06).

Note2: The predetermined time is selectable between 20 or 30 sec.

- TAD mode flow chart

In case of TYPE 1;

Even though the fax does not detect CNG signal, the fax will go to receiving mode.



*1 To enable the manual TX mode.
Load document Ø Press START button Ø Manual transmission

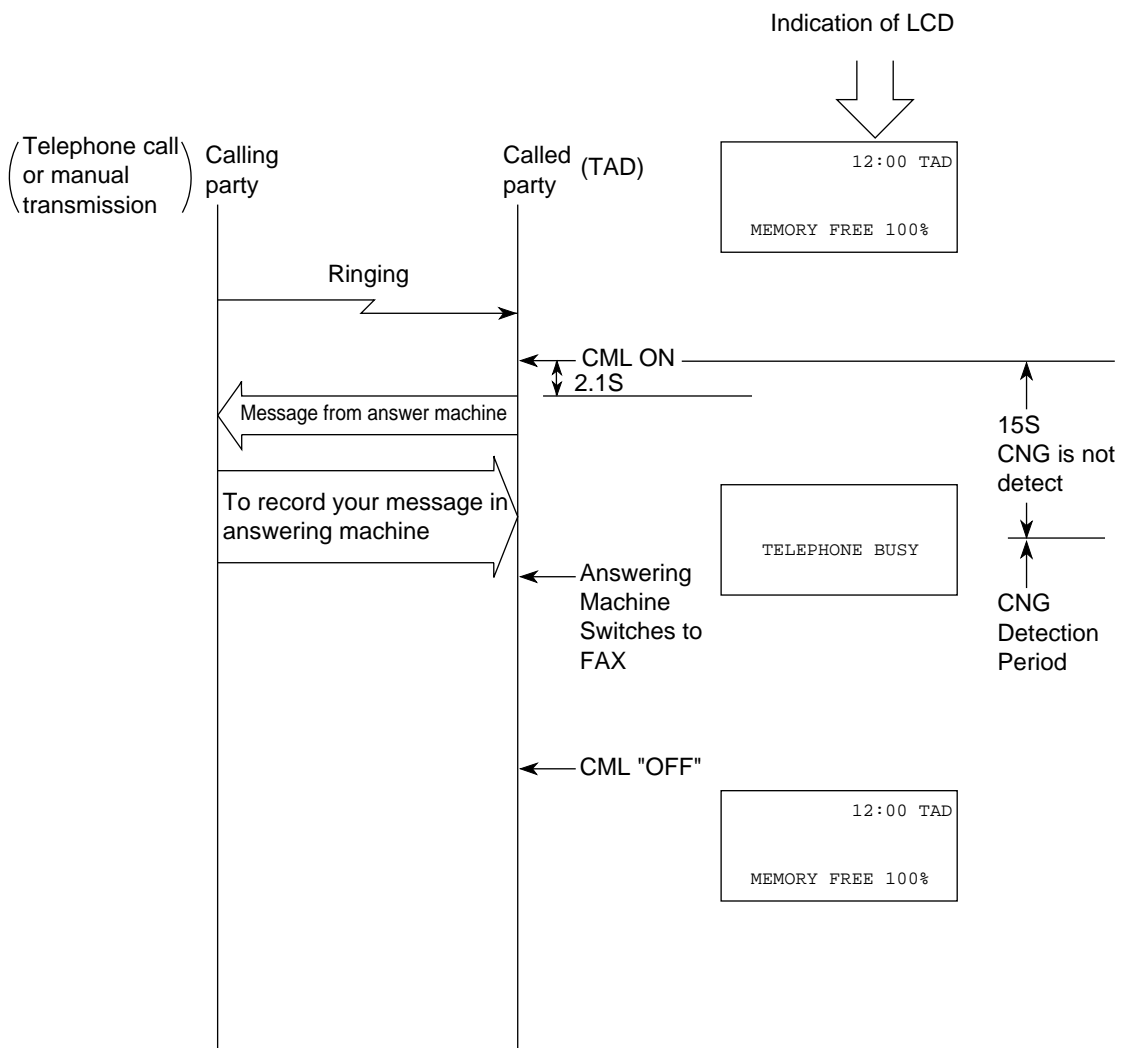
• TAD mode flow chart

1) In case of TYPE2:

If the fax does not CNG signal during working of TAD, the fax will go to standby state.

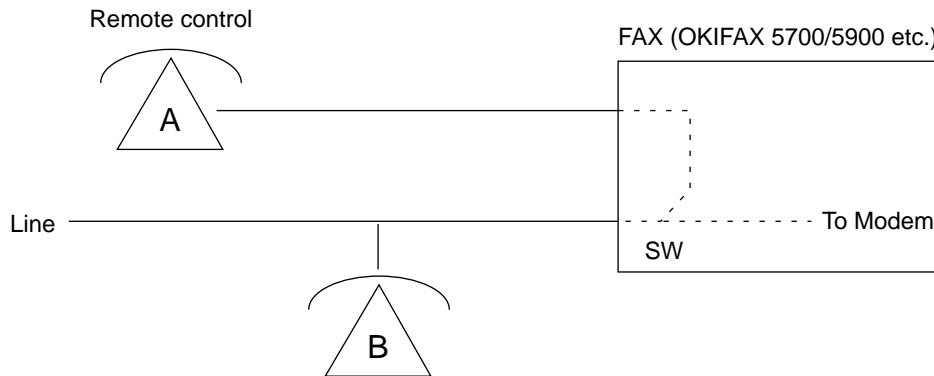
2) In case of TYPE 3:

The fax does not detect CNG signal during 15 seconds from TAD operation starting. The fax starts CNG signal detection after 15 seconds from TAD operation. When the fax does not detect CNG signal and ends TAD operation (on-hook of TAD operation), the fax return to standby state.



2.9.2.6 Outline of Parallel Pick Up

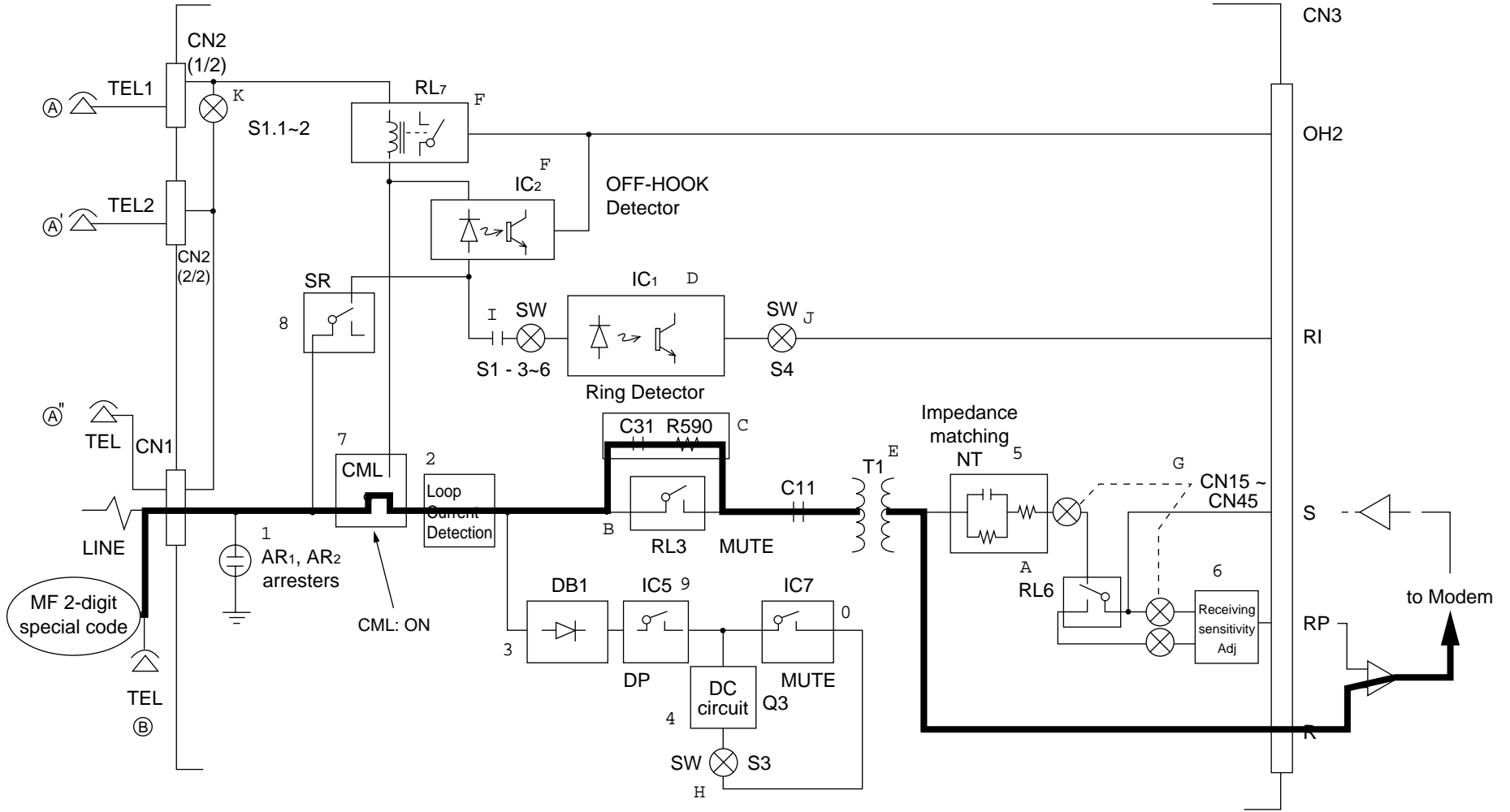
Parallel pick up is a function that controls a fax (to make a fax in receive mode) from a telephone set connected parallel to a fax. The two possible parallel connections of telephone sets A and B are shown in the figure.



Remote control: To control a fax from telephone set A
Parallel Pick Up (PP): To control a fax from telephone set B.

- Why a PP function is needed !
As shown in the block diagram on the next page, telephone sets B, A, A' and A'' are connected to a telephone line.
Since A, A' and A'' are connected to the line via fax, off-hook status of any of the telephone sets can be detected by the OFF-HOOK Detector 16 in the block diagram.
However, off-hook status of telephone set B cannot be detected by the fax side.
- PP Control
When a normal ring arrives at the fax from the line, the CML 7 turns on resulting in the formation of an AC loop via circuit 13. The AC loop makes it possible for the modem to detect the AC signals. If a user hooks up telephone set B after the first ring and enters the MF 2-digit special code in order to make the fax in the receive mode, then it becomes possible to detect the MF signals along the remote.

Block Diagram

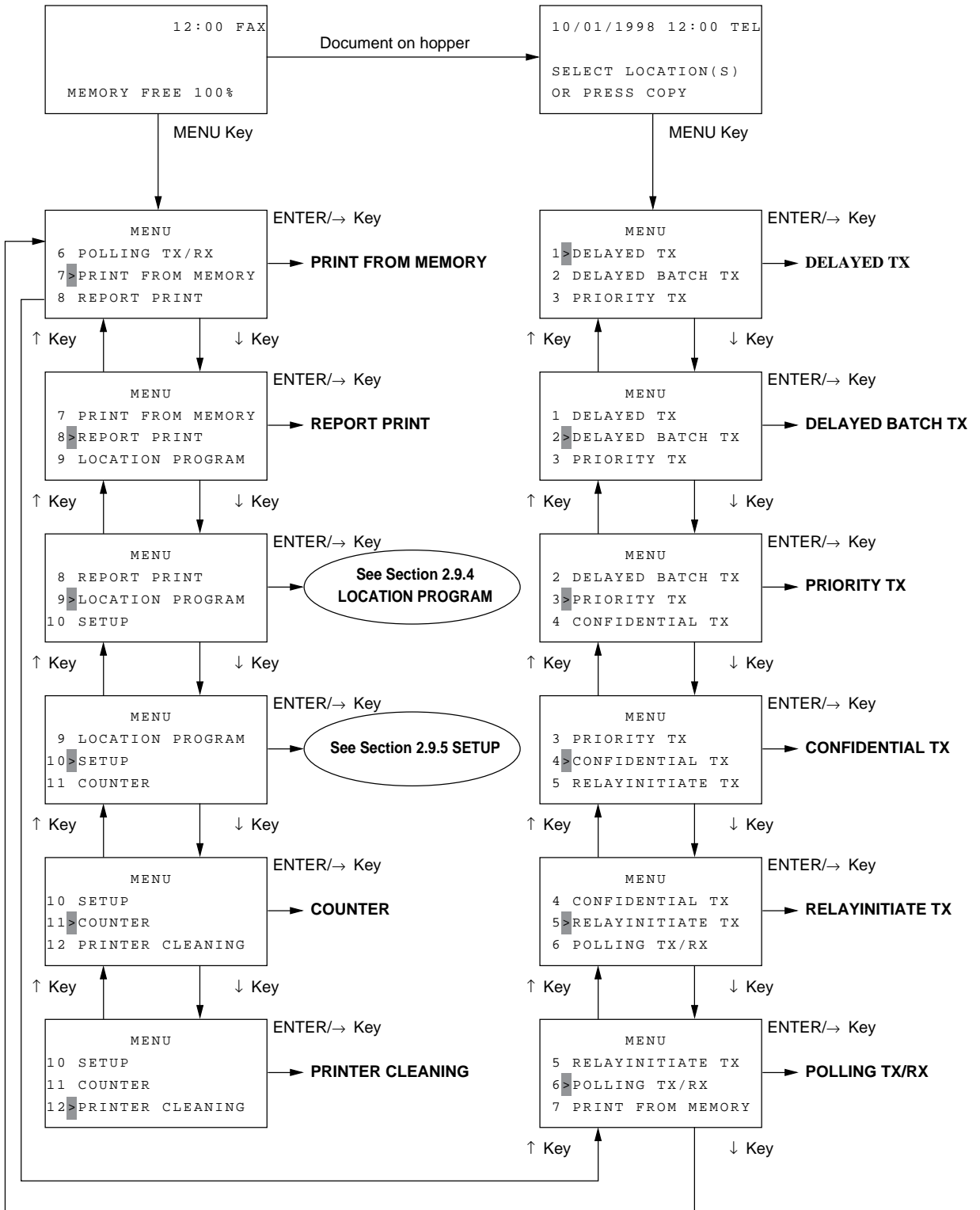


2.9.3 User's Functions

This section explains the items usually set up by general users.

- Select Menu is shown as below:
 1. Delayed TX
 2. Delayed Batch TX
 3. Priority TX
 4. Confidential TX
 5. Relayinitiate TX
 6. Polling TX/RX
 7. Print From Memory
 8. Report Print
 9. Location Program: Go to Section 2.9.4
 10. Setup Go to Section 2.9.5
 11. Counter
 12. Printer Cleaning

Menu selection



2.9.4 Location Program

- 1) The machine is standby state with no document.
- 2) Press the MENUEXIT key once.
- 3) Press the SHIFT DOWN (⇩) key two times.
- 4) The menu option "9 LOCATION PROGRAM" indicated by the blinking cursor is selected, and press the ENTER/SHIFT RIGHT (⇨) key.
- 5) The display will be shown "LOCATION PROGRAM" and you can access a desired function by switching among menus using SHIFT keys (⇧, ⇩), and press the ENTER/SHIFT RIGHT (⇨) key.

2.9.4.1 Select Menu is shown as below:

1. Speed Dial
2. Group
3. Batch TX Time
4. Forwarding No.
5. Forward ON P-ERR
6. Relay Report No.

Location Program

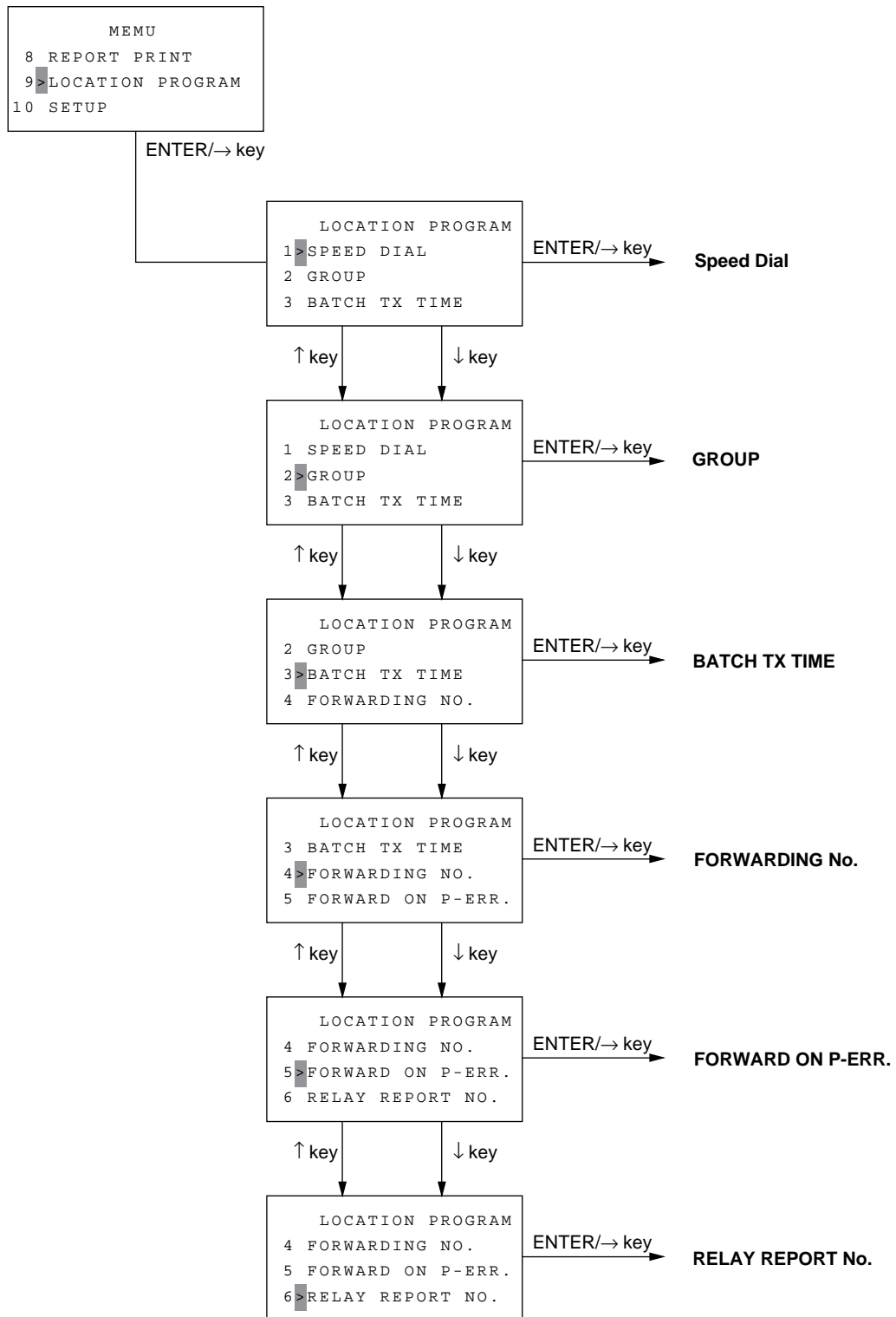


Table 2.9.4.1 Location Program (1/2)

No.	Item	Specifications									
1	Speed Dial	<p>Register speed dial number. (LOC#/NAME/ALT#/Communication parameters) * Only LOC# may be registered. (If NAME is omitted, location search will not be made.)</p> <p>1) Number of speed dials OKIFAX 5700: 1-140 (1-40 are assigned to ONE TOUCH keys.) OKIFAX 5900: 1-230 (1-80 are assigned to ONE TOUCH keys.)</p> <p>2) Number of characters that can be entered (all speed dials) NAME = 15 characters (ten-keys 0-9/*/#/alphabetic characters (uppercase and lowercase characters)/special characters/PAUSE/HYPEHN/SPACE/+) LOC# and ALT# = 40 characters each (ten-keys 0-9/*/#/PAUSE/HYPEHN/SPACE/+) * ALT# can register only One touch key. * The HYPEHN key is prohibited when country code is set to FRE.</p> <p>3) Communication parameter - Communication speeds (33.6/28.8/14.4/9.6/4.8k bps) - Echo protection (ON/OFF) The settings shown below depend on the ON/OFF setting. When OT is transmitted, the "Tone for Echo" setting is ignored and the settings made here are used for the transmission.</p> <table border="1" data-bbox="754 1373 1259 1496"> <tr> <td>ECHO PROTECTION</td> <td>OFF</td> <td>ON</td> </tr> <tr> <td>Protective Tone</td> <td>OFF</td> <td>ON</td> </tr> <tr> <td>Ignore 1st DIS</td> <td>OFF</td> <td>ON</td> </tr> </table> <p>- G3/G4 SELECT (G3 mode/G4 mode) - Switching between G3 mode and G4 mode</p>	ECHO PROTECTION	OFF	ON	Protective Tone	OFF	ON	Ignore 1st DIS	OFF	ON
ECHO PROTECTION	OFF	ON									
Protective Tone	OFF	ON									
Ignore 1st DIS	OFF	ON									
2	Group	<p>Register group dials. (Only the speed dials to which a location address is assigned can be registered.)</p> <p>1) Number of group dials that can be registered OKIFAX 5700: 20 groups (1 group: 1-140 locations) OKIFAX 5900: 20 groups (1 group: 1-230 locations)</p> <p>2) Number of group dial IDs that can be registered 15 characters (ten-keys 0-9/*/#/alphabetic characters (uppercase and lowercase characters)/special characters/PAUSE/HYPEHN/SPACE/+)</p>									

Table 2.9.4.1 Location Program (2/2)

No.	Item	Specifications
3	Batch TX time	<p>Set a batch transmission time (24-hour system). When a time is specified, locations can be specified during batch transmission operation.</p> <p>1) Number of batch TX times that can be registered OKIFAX 5700/5900: 10 (Speed dial numbers 31-40 are assigned.) * Registration is enabled if the specified speed dial is not registered in the remote machine.</p> <p>2) Specifiable time range 00:00 to 23:59 (Date cannot be specified.)</p>
4	Forwarding No.	<p>Specify the destination of forwarding for incoming call. When the transfer destination telephone number is set, FWD can be specified in the AUTO ANSWER mode.</p> <p>1) Number of forwarding destination that can be specified OKIFAX 5700/5900: 1 * The HYPEHN key is prohibited when country code is set to FRE.</p> <p>2) Number of characters used to specify a destination 40 characters (ten-keys 0-9/*/#/PAUSE/HYPEHN/SPACE/+)</p>
5	Forward ON P-ERR.	<p>Specify the destination of forwarding for no toner/no paper reception. When the transfer destination telephone number is set, Forwarding can be transmitted to the specified destination at the time of message in memory for no toner/no paper condition.</p> <p>1) Number of forwarding destination that can be specified OKIFAX 5700/5900: 1</p> <p>2) Number of characters used to specify a destination 40 characters (ten-keys 0-9/*/#/PAUSE/HYPEHN/SPACE/+) * The HYPEHN key is prohibited when country code is set to FRE.</p>
6	Relay report No.	<p>Specify the destination of a relay report for relay broadcast initiate transmission. When this destination is specified, a relay report is transmitted to the specified destination upon the relay broadcast initiate transmission.</p> <p>1) Number of characters used to specify a destination 40 characters (ten-keys 0-9/*/#/PAUSE/HYPEHN/SPACE/+) * The HYPEHN key is prohibited when country code is set to FRE.</p>

2.9.5 Setup

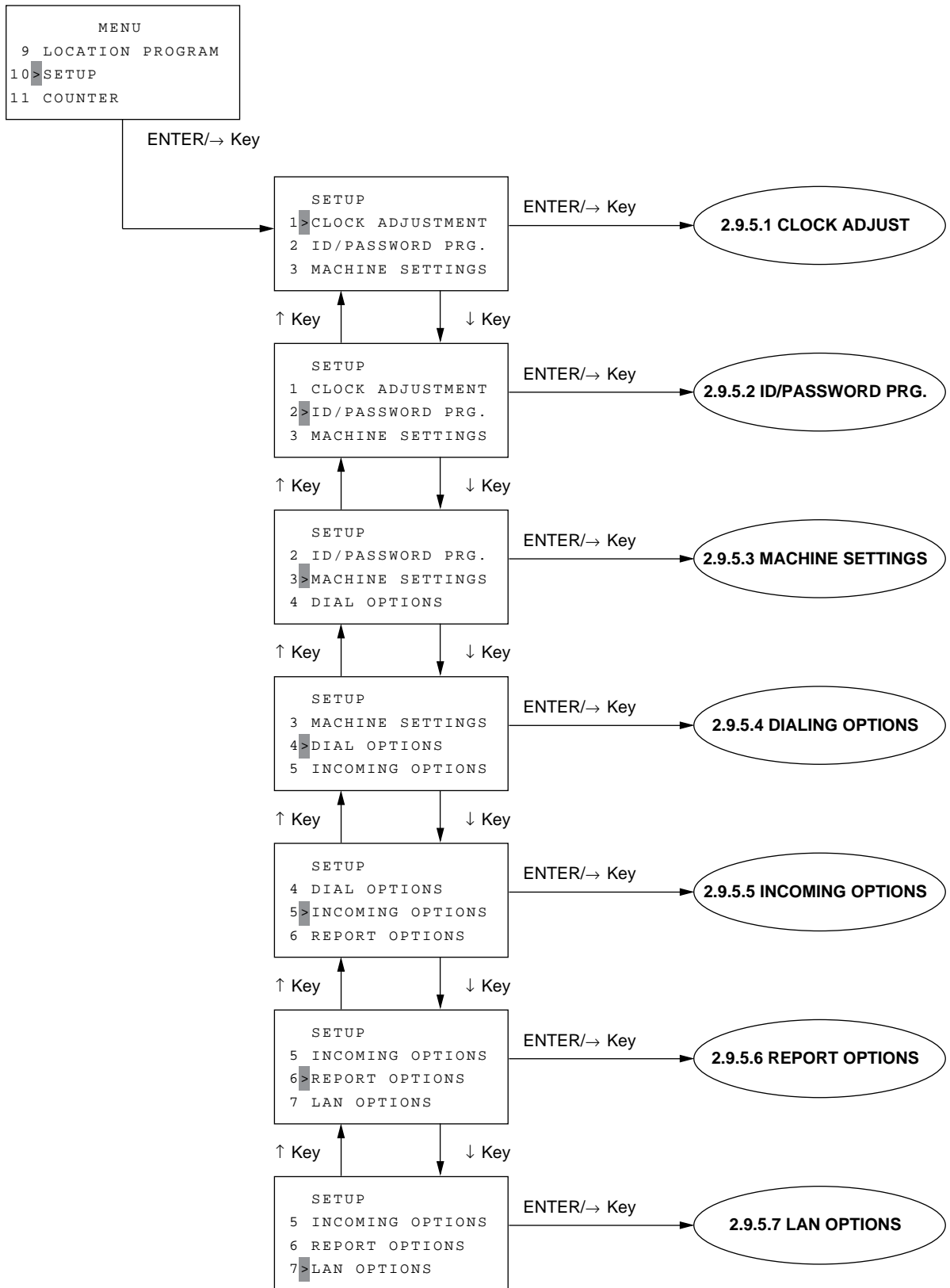
- 1) The machine is standby state with no document.
- 2) Press the MENU key once.
- 3) Press the SHIFT DOWN (⇩) key three times.
- 4) The menu option "10 SETUP" indicated by the blinking cursor is selected, and press the ENTER/SHIFT RIGHT (⇨) key.
- 5) The display will be shown "SETUP" and you can access a desired function by switching among menus using SHIFT keys (⇧, ⇩), and press the ENTER/SHIFT RIGHT (⇨) key.

(1) Select Menu is shown as below:

Note: There are two methods for accessing a desired function: Step access and Speed access (direct access).

Speed access number must be entered with two digits.

- | | |
|-----------------------------|----------------|
| 1. Clock Adjustment | (No. 00) |
| 2. I/D Password Programming | (No. 01 to 07) |
| 3. Machine Settings | (No. 10 to 28) |
| 4. Dialing Options | (No. 40 to 52) |
| 5. Incoming Options | (No. 60 to 67) |
| 6. Report Options | (No. 70 to 73) |
| 7. LAN Options | (No. 80 to 85) |



2.9.5.1 Clock Adjustment

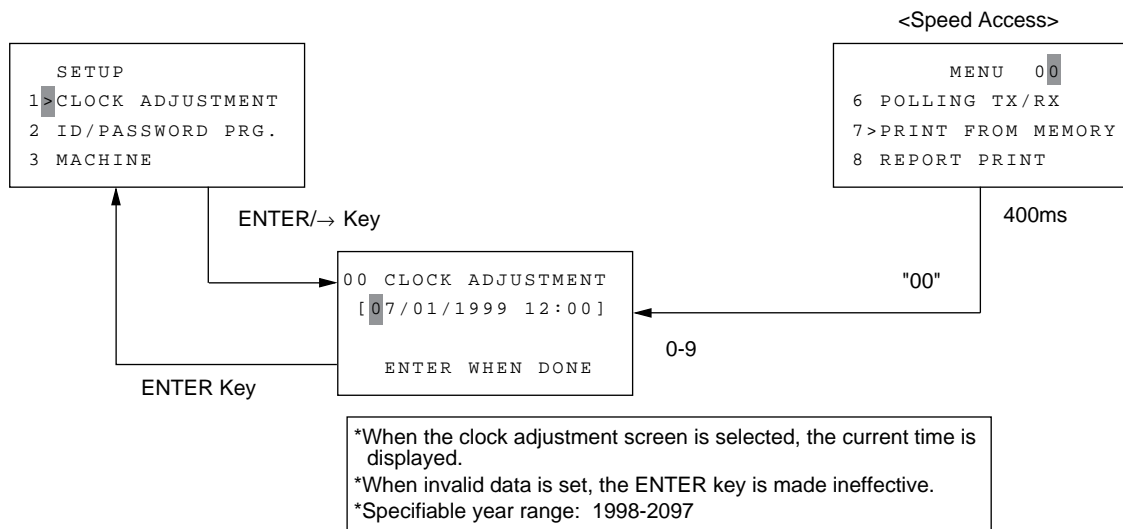
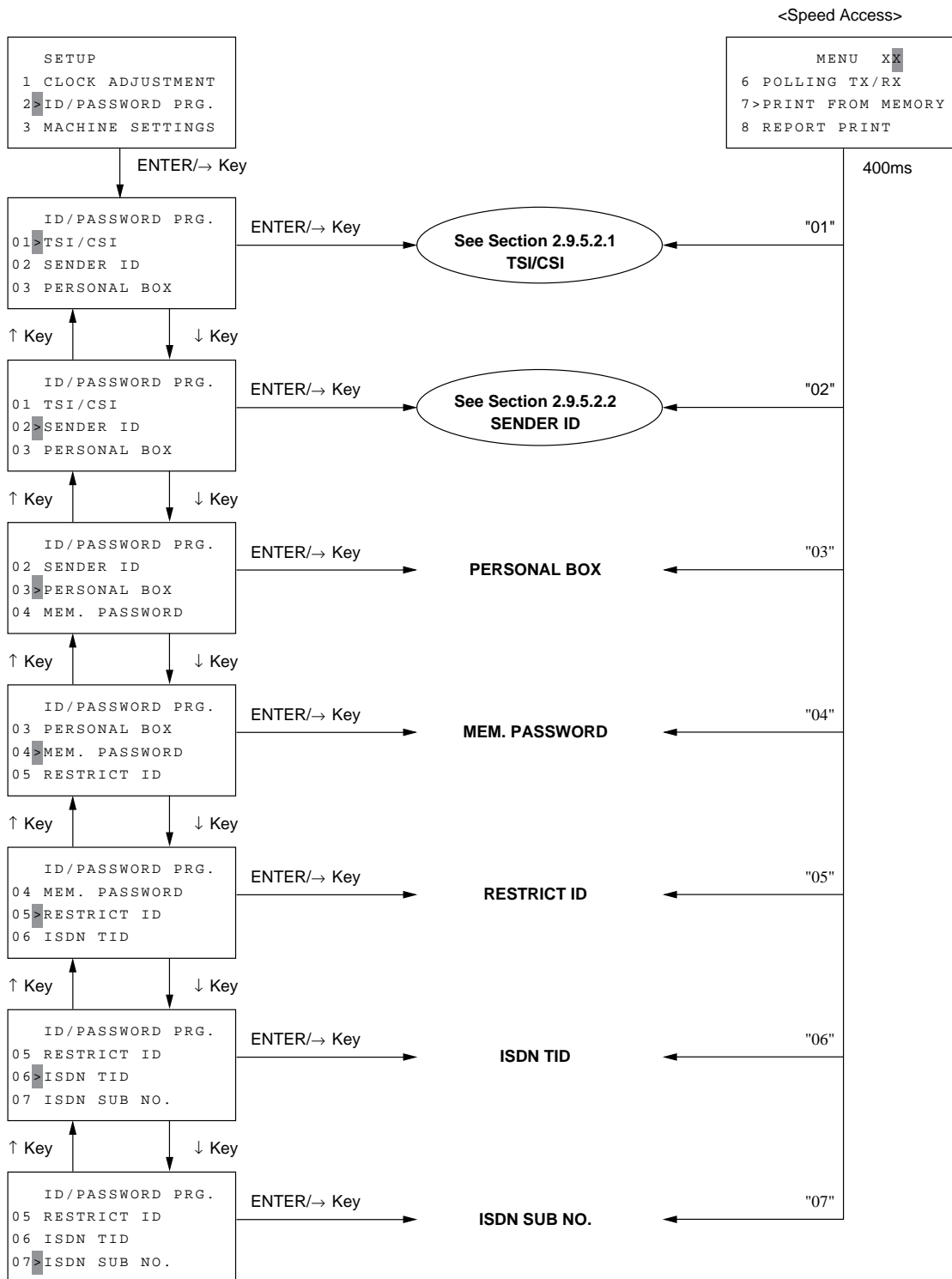


Table 2.9.5.1 Clock Adjustment

No.	Item	Specifications
00	Clock adjustment	Set the date (year, month, and day) and time. Select either MDY (month/day/year) or DMY (day/month/year). 1) Setting values Year: 1998-2097 Month: 1-12 Day: 1-31 (vary with years and months) Time: 00:00 to 23:59 * When the clock adjustment screen is selected, the current time is displayed. * When invalid data is set, the ENTER key is made ineffective.

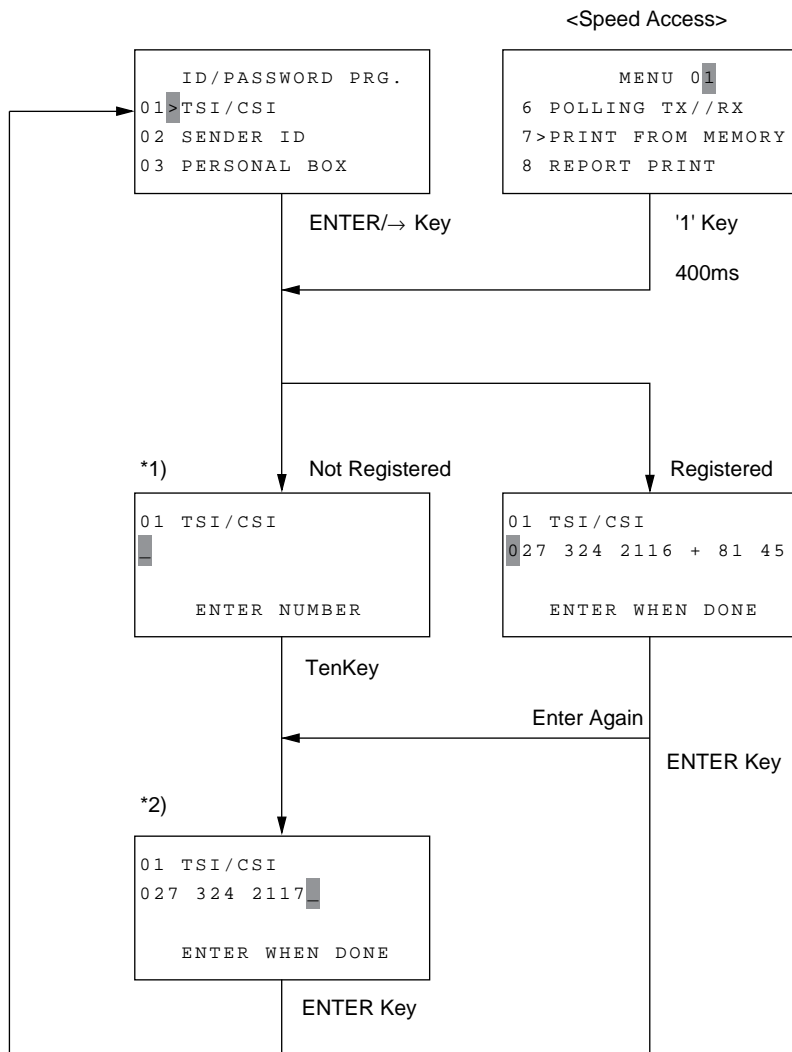
2.9.5.2 ID/Password Programming:

01. TSI/CSI
02. Sender ID
03. Personal Box
04. Mem. Password
05. Restrict ID
06. ISDN TID (Country Code/ISDN No./ISDN ID)
07. ISDN Sub No.



2.9.5.2.1 TSI/CSI

This function is used to register TSI/CSI.

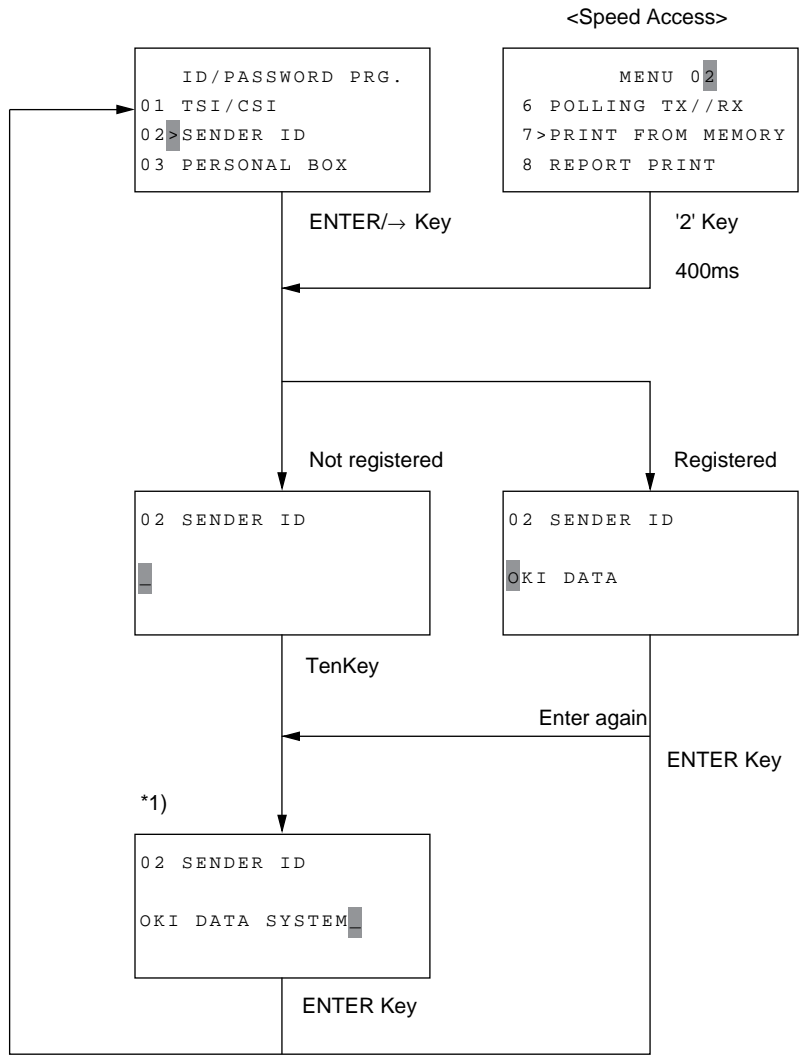


*1:After the first digit is entered, "ENTER WHEN DONE" is displayed. It will not change if all characters are erased by pressing the CLEAR key.

*2:Enter the TSI/CSI with a maximum of 20 characters (numerical characters, +, and space).

2.9.5.2.2 Sender ID

This function is used to register a sender ID.



*1: Enter a sender ID with a maximum of 32 characters.
* Lowercase letters can be used.

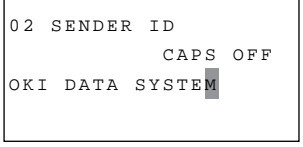


Table 2.9.5.2 ID/Password Prg. (1/3)

No.	Item	Specifications
01	TSI/CSI	<p>Register a TSI/CSI (local telephone number).</p> <p>1) Number of characters used to register a TSI/CSI 20 characters (ten-keys 0-9/HYPEHN (+)/SPACE/+) * The setting data must be transferred to the G4 board.</p>
02	Sender ID	<p>Register a sender ID.</p> <p>1) Number of characters used to register a sender ID 32 characters Ten-keys 0-9/*/#/alphabetic characters (uppercase and lowercase characters)/special characters/PAUSE/HYPEHN/SPACE/+ * The setting data must be transferred to the G4 board.</p>
03	Personal Box	<p>Open/close a personal box (confidential and bulletin). When the specified box has not been opened: "CONFIDENTIAL" or "BULLETIN POLLING" can be selected. When the specified box is opened as a confidential box, "CONFIDENTIAL" or "CLOSE" can be selected. When the specified box is opened as a bulletin, "BULLETIN POLLING" or "CLOSE" can be selected.</p> <p>1) Number of personal boxes OKIFAX 5700/5900: 16 boxes (1-16) * The user can set these 16 boxes as confidential and bulletin boxes as desired.</p> <p>2) Confidential A box used only for confidential reception. Either sub frame or Oki mode (NSF) can be selected. When a confidential box is opened, a password must be registered so that other persons cannot print data. Password: 4 digits (0-9 only)</p> <p>3) Bulletin Poll A box used for bulletin transmission. It is opened to multiple persons. (Password setting is not required.) An SEP frame can be used for bulletin transmission. A document is assigned to a box so that data can be obtained from this box.</p> <p>* SEP and SUB frames are used for bulletin transmission and confidential reception respectively. * To assure communication with the existing machines, this machine is designed taking into account the existing polling (S bit) and confidential (NSS) methods.</p>

Table 2.9.5.2 ID/Password Prg. (2/3)

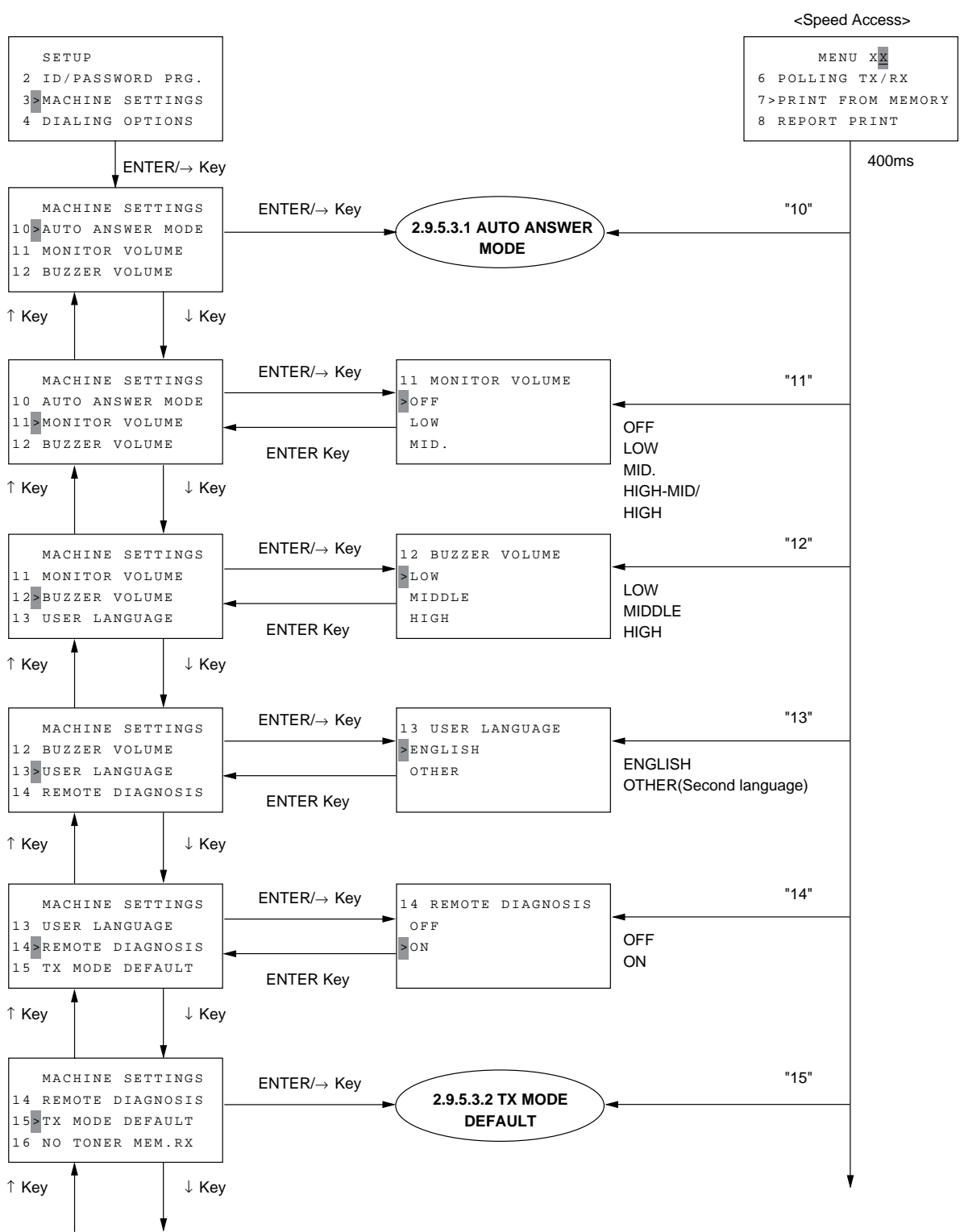
No.	Item	Specifications
04	Mem. Password	<p>Set the password for using the Auto Answer Mode (MEM.: Memory only reception mode). Persons who do not know the password cannot make changes or print memory data in the Auto Answer Mode (MEM. mode).</p> <p>* This setting is disabled when Auto Answer Mode is set to MEM.</p> <ol style="list-style-type: none"> 1) Number of Mem. passwords that can be registered OKIFAX 5700/5900: 1 2) Number of characters used to specify a Mem. password: 4 characters (digits only) 3) Password check The entered password cannot be checked on the machine. However, it can be checked using RMCS.
05	Restrict ID	<p>Register a restriction ID. Persons who do not know the password cannot use the machine. A restriction ID can be registered when Restrict Access (machine setting) is set to ON (operation is restricted).</p> <ol style="list-style-type: none"> 1) Number of restriction IDs that can be registered OKIFAX 5700/5900: 24 2) Number of characters used to specify a restriction ID 4 characters (digits only) 3) Password check The entered password cannot be checked on the machine. However, it can be checked using RMCS.

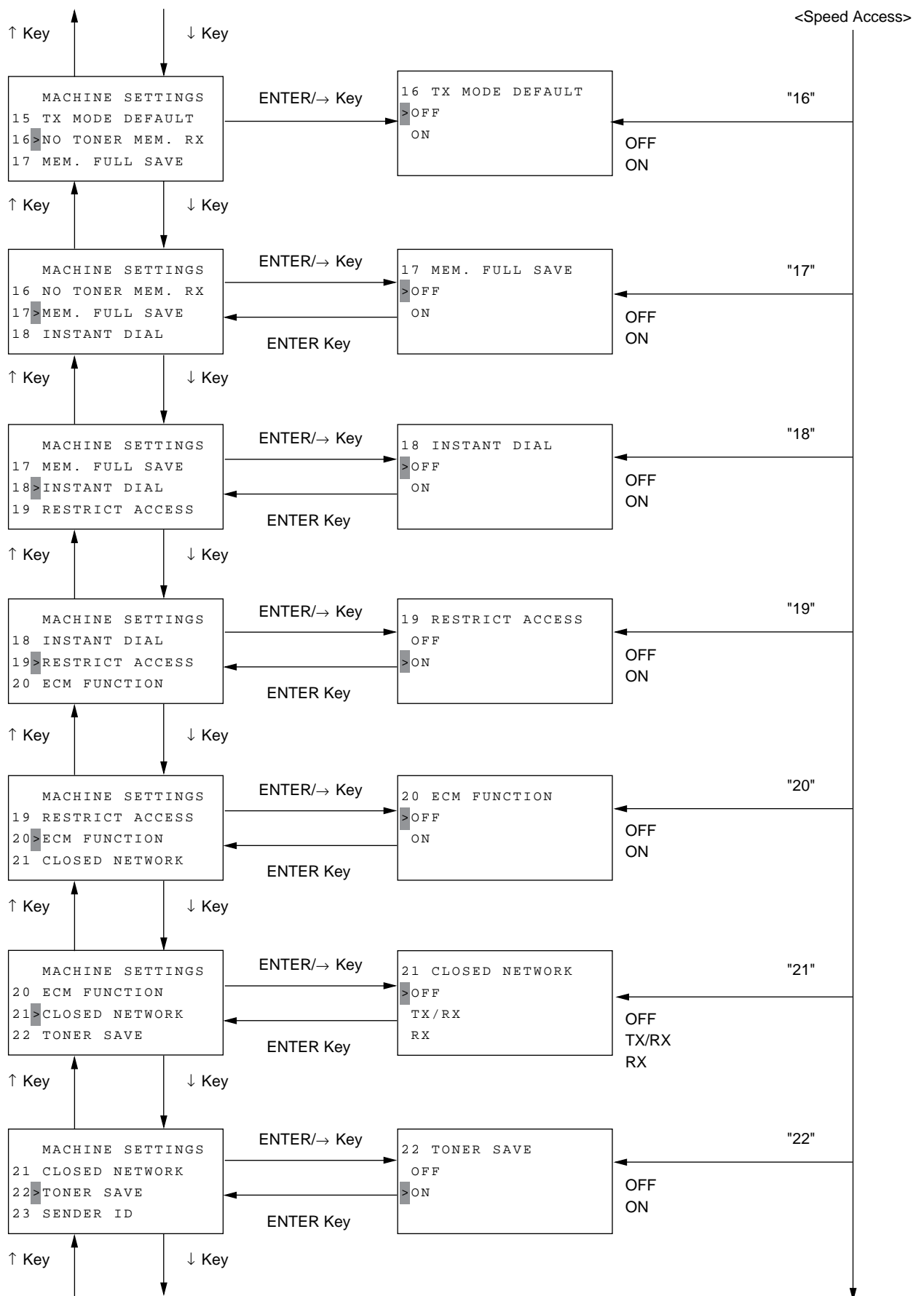
Table 2.9.5.2 ID/Password Prg. (3/3)

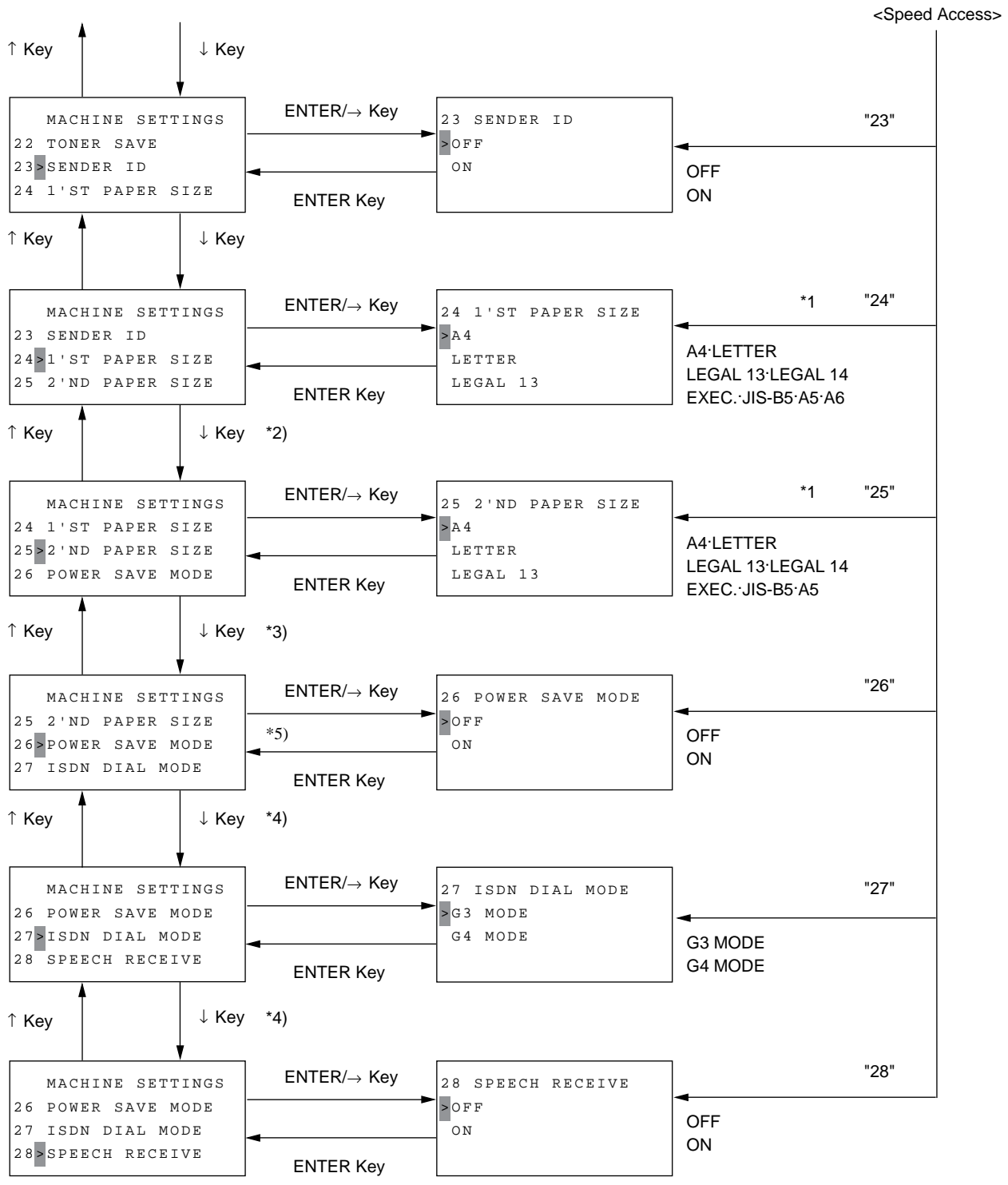
No.	Item	Specifications				
06	ISDN TID	<p>Set a terminal ID.</p> <p>1) Setting values This setting consists of the following:</p> <ul style="list-style-type: none"> - Country code 3 characters (digits only) - ISDN No. (subscriber number) 20 characters (digits only) - ISDN ID (subscriber code) 10 characters (alphabetic characters, lowercase characters) <p>* The setting data must be transferred to the G4 board.</p> <table border="1" data-bbox="715 958 1353 1214"> <thead> <tr> <th data-bbox="715 958 890 1034">Handling in G3 mode</th> <th data-bbox="890 958 1353 1034">Handling in G4 mode</th> </tr> </thead> <tbody> <tr> <td data-bbox="715 1034 890 1214">Not used</td> <td data-bbox="890 1034 1353 1214">Switching in standard procedure. Used for location display. Used for TSI/CIL printing. ISDN No. is used for collating closed area communication.</td> </tr> </tbody> </table> <p>In case of origination, the ISDN number is used for reporting the calling subscriber number. It is reported to the network. In case of termination, the ISDN number is used for MSN collation.</p>	Handling in G3 mode	Handling in G4 mode	Not used	Switching in standard procedure. Used for location display. Used for TSI/CIL printing. ISDN No. is used for collating closed area communication.
Handling in G3 mode	Handling in G4 mode					
Not used	Switching in standard procedure. Used for location display. Used for TSI/CIL printing. ISDN No. is used for collating closed area communication.					
07	ISDN Sub No.	<p>Set a sub address.</p> <p>1) Setting values 19 characters (digits only)</p> <p>* The setting data must be transferred to the G4 board.</p> <table border="1" data-bbox="730 1751 1353 1877"> <thead> <tr> <th data-bbox="730 1751 1034 1809">Handling in G3 mode</th> <th data-bbox="1034 1751 1353 1809">Handling in G4 mode</th> </tr> </thead> <tbody> <tr> <td colspan="2" data-bbox="730 1809 1353 1877">Used for sub collation.</td> </tr> </tbody> </table>	Handling in G3 mode	Handling in G4 mode	Used for sub collation.	
Handling in G3 mode	Handling in G4 mode					
Used for sub collation.						

2.9.5.3 Machine Settings:

10: Auto Answer Mode	(FAX, TEL, T/F, TAD, MEM, PC, and FWD)
11: Monitor Volume	(OFF/LOW/MID./HIGH-MID./HIGH)
12: Buzzer Volume	(LOW/MIDDLE/HIGH)
13: User Language	(ENGLISH/OTHER: Second language)
14: Remote Diagnosis	(OFF/ON)
15: TX Mode Default	(STANDARD/FINE/EXTRA FINE/PHOTO) (LIGHT/NORMAL/DARK)
16: No Toner Mem. RX	(OFF/ON)
17: Mem. Full Save	(OFF/ON)
18: Instant Dialing	(OFF/ON)
19: Restrict Access	(OFF/ON)
20: ECM Function	(OFF/ON)
21: Closed Network	(OFF/TX,RX/RX)
22: Toner Save	(OFF/ON)
23: Sender ID	(OFF/ON)
24: 1'st Paper Size	(A4/LETTER/LLEGAL 13/LLEGAL 14/EXEC/JIS-B5/A5/A6)
25: 2'nd Paper Size	(A4/LETTER/LLEGAL 13/LLEGAL 14/EXEC/JIS-B5/A5)
26: Power Save Mode	(OFF/ON)
27: ISDN Dial Mode	(G3 MODE/G4 MODE)
28: Speech Receive	(OFF/ON)





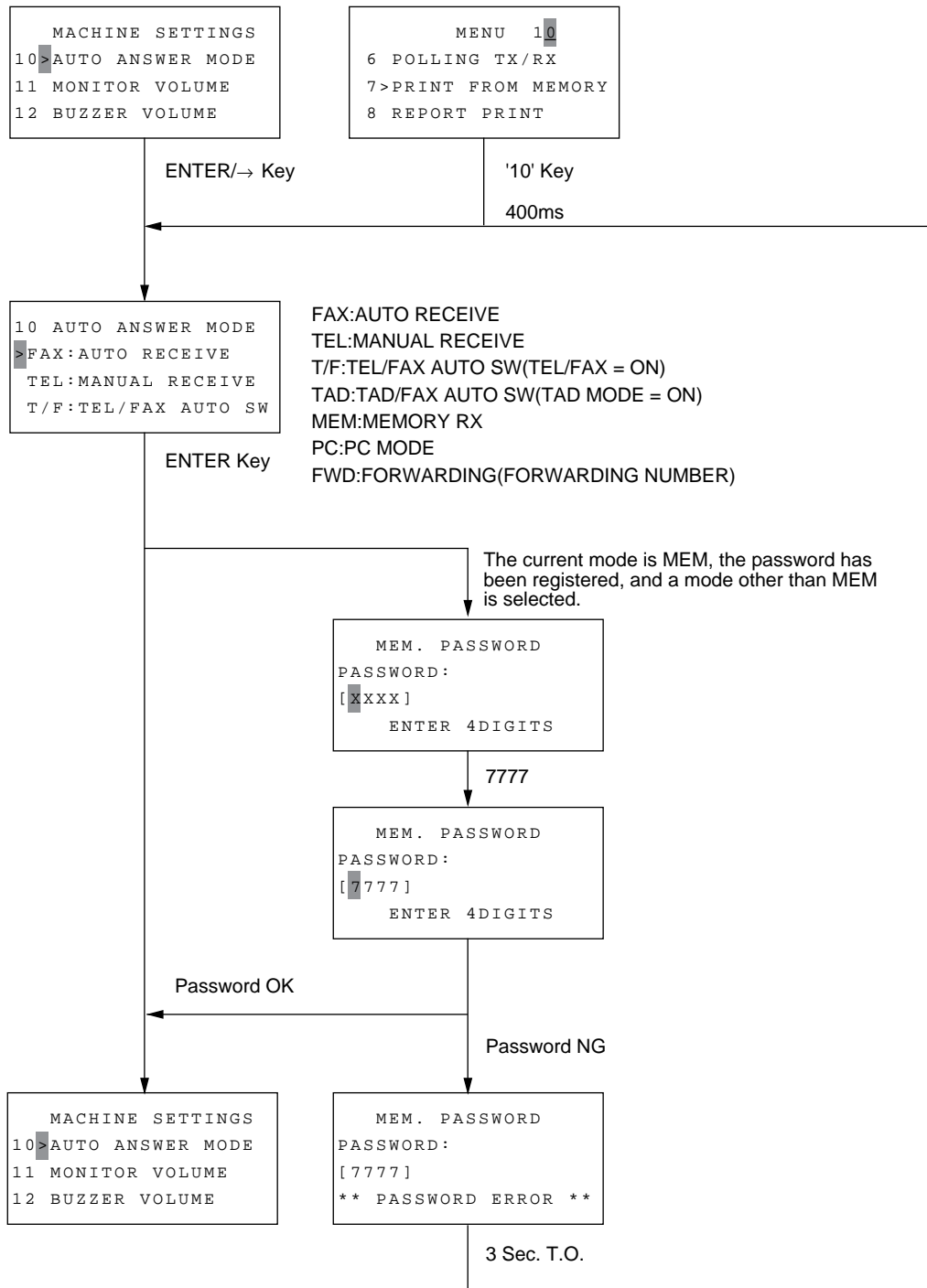


Some options of the MACHINE SETTINGS menu cannot be selected depending on the destination of delivery, machine specs, and machine settings. However, numbers related to speed access are fixed. If there are unselective options, these numbers become discontinuous.

- *1:"EXEC. /JIS-B5/A5/A6" is displayed only when MFPUNLOCK is set to ON.
- *2:This mode can be made only when 2nd tray is mounted.
- *3:This mode cannot be made when Default type is set to 1 and Country code is set to USA.
- *4:This mode can be made only when ISDN option board is installed. "FUNC.NOT AVAIL" is indicated during 3 seconds by pressing ENTER/→key in the case of MUPIS I/F error.
- *5:This mode cannot be selected when ISDN/LAN board is installed.

2.9.5.3.1 Auto Answer Mode

This function is used to set up the auto answer mode.



When you switch the MEMORY RX mode (the password has been registered) to another mode and print memory data (PRINT FROM MEMORY) directly without returning to the standby mode, you need not enter the password again.
The G4 model does not have T/F and TAD modes.

2.9.5.3.2 TX Mode Default

This function is used to set default values for the transmission mode selected with a document set in the feeder.

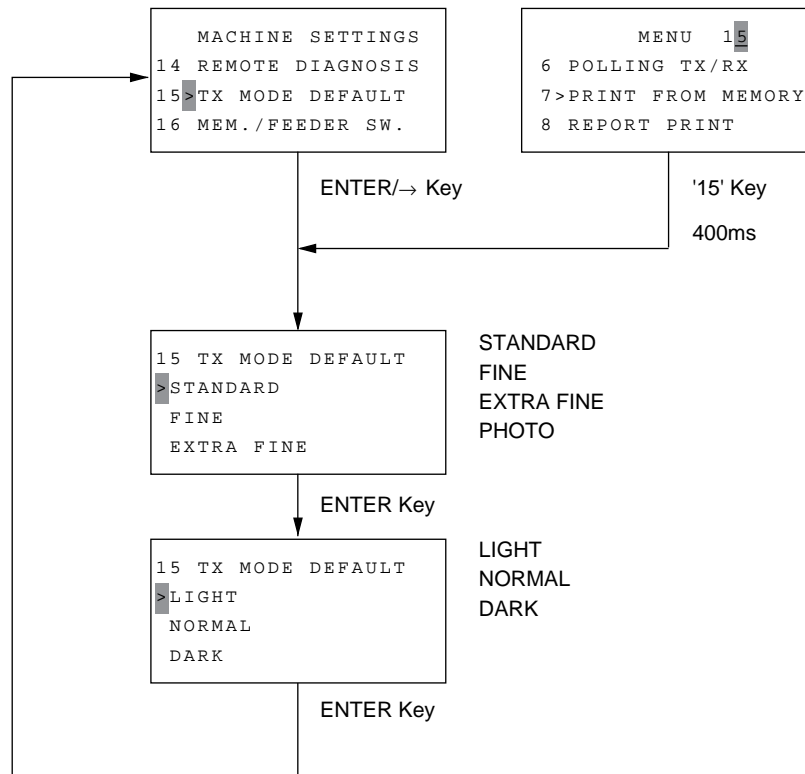


Table 2.9.5.3 Machine Settings (1/5)

No.	Item	Specifications
10	Auto answer mode	<p>Set up the auto answer mode (FAX/TEL/T/F/TAD/MEM/PC/FWD) The following restrictions are placed on individual mode settings according to the machine status and setting:</p> <ol style="list-style-type: none"> 1) T/F (TEL/FAX AUTO SW.) mode This mode can be selected only when TEL/FAX Switch is set to ON. * This mode is automatically switched to the FAX mode when TEL/FAX switch is set to OFF. 2) TAD (TAD/FAX AUTO SW.) mode (auto answer mode) This mode can be selected except when TAD is set to OFF (TYPE1-3). * This mode is automatically switched to the FAX mode when TAD MODE is set to OFF. 3) MEM. (MEMORY RX) mode When a memory password was set, this mode cannot be switched to another mode without entering the set password. * When printing memory data without returning to the standby state (the flash memory is has not been written with data in the new mode) after switching between modes under the above condition, the password need not been entered again. 4) PC mode (PCFAX mode) This mode can be selected only when MFPUNLOCK (hidden setting) is set to ON (default). 5) FWD (FORWARDING) mode (redirecting mode) This mode can be selected when FORWARDING No. has been programmed. * This mode is automatically switched to the FAX mode when FOWARDING No. is erased. * When G4 is selected, neither T/F nor TAD cannot be selected.
11	Monitor volume	<p>Set the monitor volume.</p> <ol style="list-style-type: none"> 1) Setting values OFF/LOW/MID./HIGH-MID./HIGH selectable
12	Buzzer volume	<p>Set the buzzer volume (communication end or off-hook alarm).</p> <ol style="list-style-type: none"> 1) Setting values LOW/MIDDLE/HIGH selectable. * The key touch sound level is fixed at LOW.

Table 2.9.5.3 Machine Settings (2/5)

No.	Item	Specifications
13	User language	<p>Select the language used for LCD display or report printing.</p> <p>1) Setting values English/Other Other (second language): GER (German), FRE (French), etc. * English/Other is selected according to country code.</p>
14	Remote diagnosis	<p>Determine whether remote maintenance is to be enabled from the remote center.</p> <p>1) Setting values ON (Enables)/OFF (Disables)</p>
15	TX mode default	<p>Set transmission mode default values used when a document is set in the feeder. The resolution and scanning density can be set separately.</p> <p>1) Resolution STANDARD/FINE/EXTRA FINE/PHOTO selectable</p> <p>2) Scanning density (Type of Original) LIGHT/NORMAL/DARK selectable</p>
16	No toner memory RX	<p>Determine whether data is to be received in the memory or on recording paper when the toner level is low.</p> <p>1) Setting values ON (Memory reception)/OFF (Recording paper reception)</p> <p>ON: Data received in the memory when the toner level is low. OFF: Data is received on recording paper if the toner level is low (the print quality is poor because the toner level is low).</p>

Table 2.9.5.3 Machine Settings (3/5)

No.	Item	Specifications
17	Memory full save	<p>When the memory becomes full during read, the operator must determine whether the read pages are to be saved or canceled. Determine whether the read pages are to be saved or canceled automatically if the operator forget to save/cancel them and therefore an operation T.O. results.</p> <p>1) Setting values ON (Saved)/OFF (Canceled)</p> <p>ON: The page being read is discarded and the previously read pages are saved (or transmitted if transmission preparation is specified).</p> <p>OFF: All pages are discarded including the page being read.</p>
18	Instant dial	<p>Determine whether instant dial transmission is to be performed.</p> <p>If the remaining memory capacity is not satisfied the instant dial start condition although this setting is ON, the feeder transmission is performed. When this setting is OFF, the feeder transmission is uniformly performed.</p> <p>1) Setting values ON (Instant dialing transmission is performed)/OFF (Instant dialing transmission is not performed)</p>
19	Restrict access	<p>Determine whether operation is to be restricted.</p> <p>When ON is selected, persons who do not know the password cannot operate the machine.</p> <p>When ON is selected, the standby screen requires the operator to enter the password. Operation is restricted until a valid password is entered.</p> <p>1) Setting values ON (Operation is restricted)/OFF (Operation is not restricted)</p> <p>ON: The ID/Password Prg. allows a restrict ID to be registered. Operation is restricted only when this setting is ON and a restrict ID has already been registered.</p> <p>OFF: The ID/Password Prg. disables registration of a restrict ID. When this setting is OFF, operation is not restricted irrespective of whether a restrict ID has been registered.</p>

Table 2.9.5.3 Machine Settings (4/5)

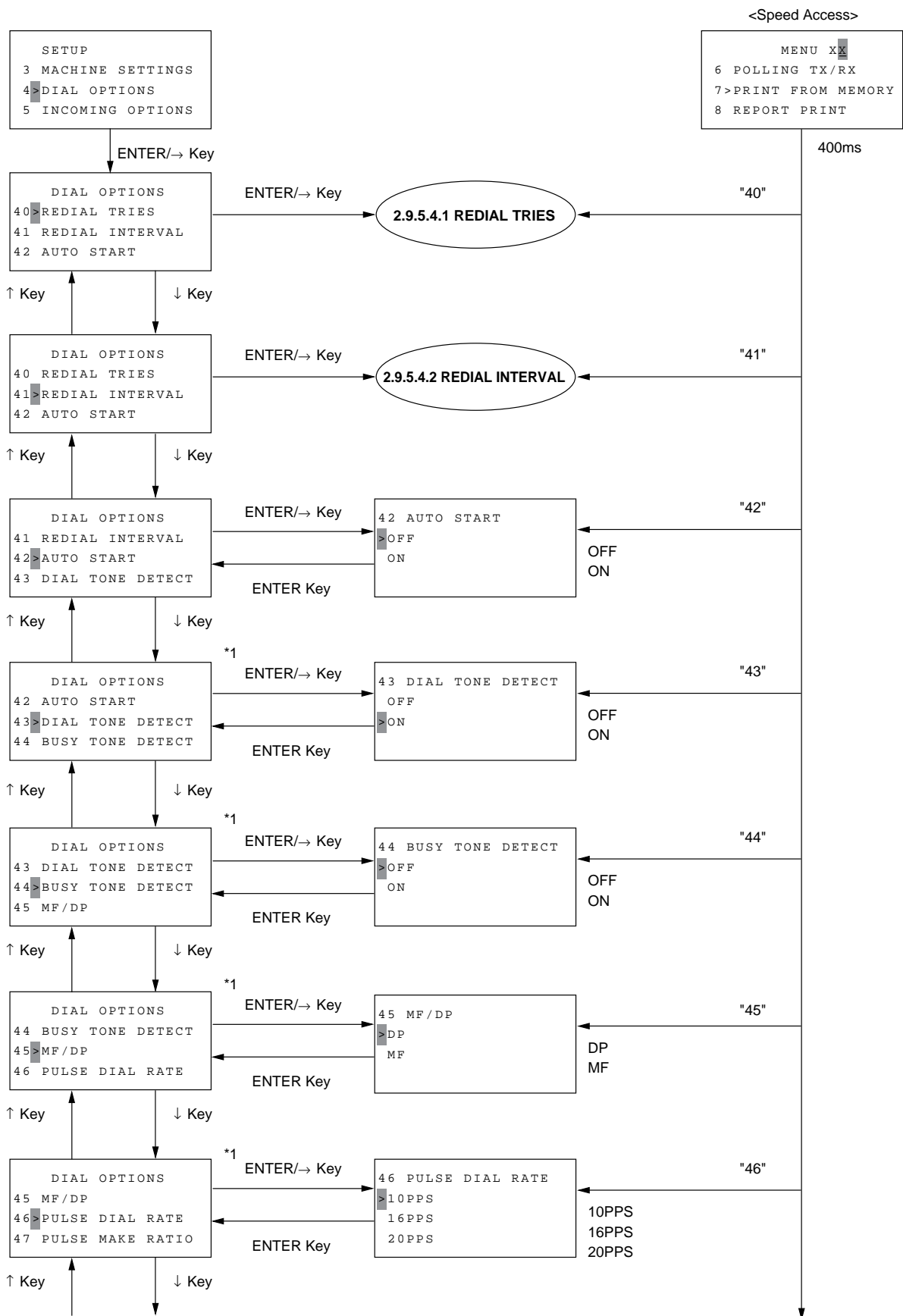
No.	Item	Specifications
20	ECM function	<p>Determine whether ECM transmission is to be performed.</p> <p>1) Setting values ON (ECM transmission performed)/OFF (ECM transmission not performed)</p>
21	Closed network	<p>Set up closed network. The TSI/CSI of the remote machine is compared with the low-order 4 digits of the speed dial of the local machine. If they match, closed network is performed. If they do not match, closed network is not performed.</p> <p>1) Setting values OFF: Closed network is not performed. TX/RX: Closed communication is performed for both transmission and reception. RX: Closed communication is performed only for reception.</p>
22	Toner save	<p>Determine whether toner saving is to be performed during fax printing. When a LAN/PC printer is used, this setting is ignored and the command from the host is executed.</p> <p>1) Setting values ON (Toner saving performed)/OFF (Toner saving is not performed)</p>
23	Sender ID	<p>Determine whether the sender ID is to be added to the sending data. A maximum of 32 characters are added to only outside the document.</p> <p>1) Setting values ON (Added)/OFF (Not added)</p>
24	1'st paper size	<p>Set the size of recording paper in the first cassette. As the recording paper size is not detected automatically, the operator must set it. EXEC./JIS-B5/A5/A6 can be set only when LAN is mounted.</p> <p>1) Setting values A4/LETTER/LEGAL 13/LEGAL 14/EXEC./JIS-B5/A5/A6 * The setting data must be transferred to the G4 board.</p>

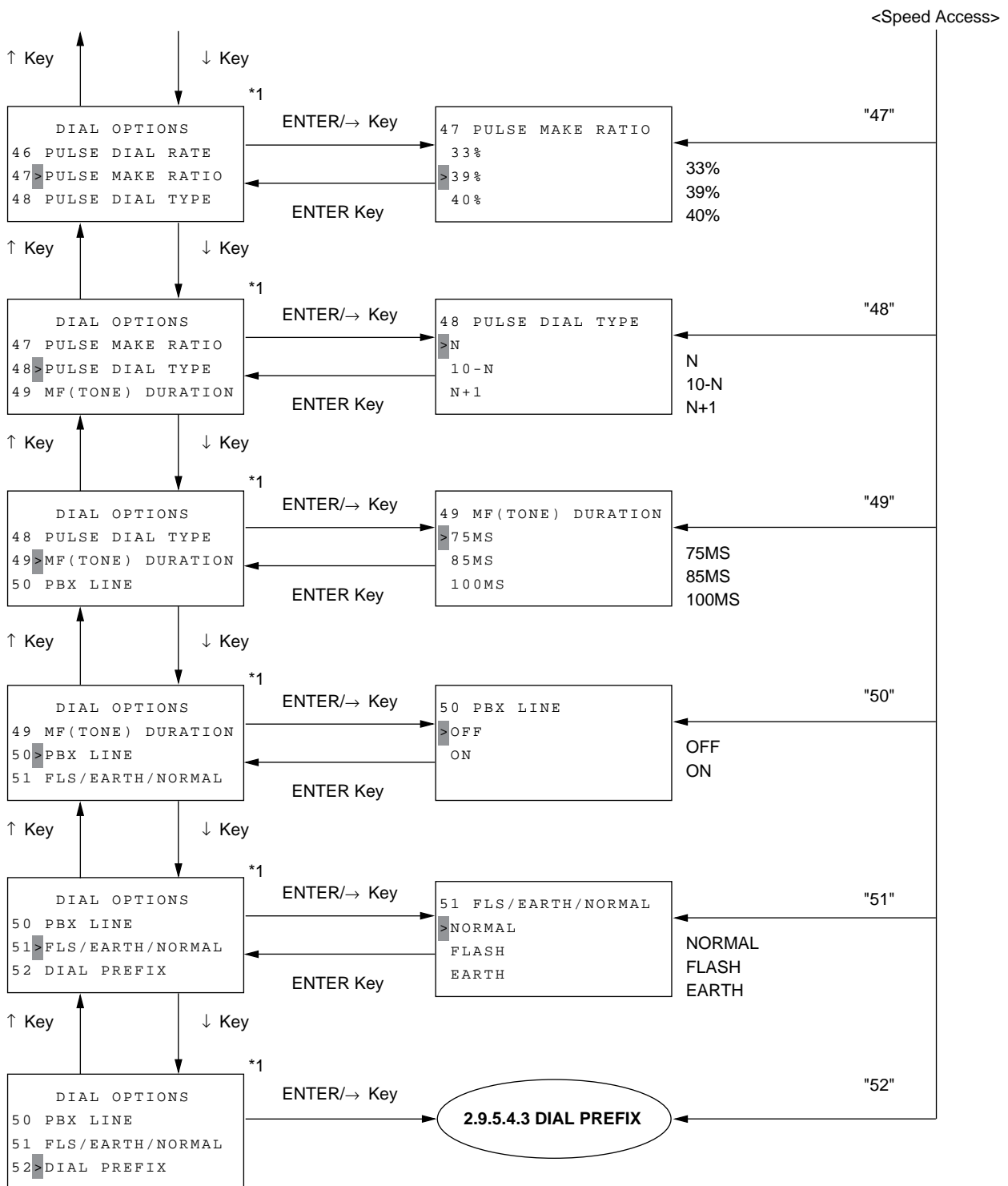
Table 2.9.5.3 Machine Settings (5/5)

No.	Item	Specifications
25	2'nd paper size	<p>Set the size of recording paper in the second tray. EXEC./JIS-B5/A5 can be set only when LAN is mounted.</p> <p>1) Setting values A4/LETTER/LEGAL 13/LEGAL 14/EXEC./JIS-B5/A5 * The setting data must be transferred to the G4 board.</p>
26	Power save mode	<p>Determine whether the current mode is to be switched to the Power Save mode. The power supply will be fed to all circuits of a fax machine whenever the fax goes to the operating state. The power save mode has reduced the power consumption at standby to below .05W.</p> <p>1) Setting values ON (Switched)/OFF (Not switched) * When Default Type is set to 1 and Country Code is set to USA, the Power Save mode cannot be selected. * This mode cannot be made when ISDN or LAN board is installed.</p>
27	ISDN dial mode	<p>Determine whether G4 communication is to be performed by calling a single remote machine by pressing ten-keys when an ISDN option is provided.</p> <p>1) Setting values G3 mode (G3 communication)/G4 mode (G4 communication) * This setting cannot be made when an ISDN option is not provided. * This setting data must be transferred to the ISDN board.</p>
28	Speech Receive	<p>Determine whether the incoming call is answered when the information transmission capacity instructed by the network is voice transmission.</p> <p>1) Setting values ON (Answered)/OFF (Not answered) * This setting data must be transferred to the ISDN board. * This setting cannot be made when ISDN option is not provided.</p>

2.9.5.4 Dial Options:

40: Redial Tries	(0 to 10 •FRE, 0 to 5=FRE)
41: Redial Interval	(1 to 6 •FRE, 1 to 12 =FRE)
42: Auto Start	(OFF/ON)
43: Dial Tone Detect	(OFF/ON)
44: Busy Tone Detect	(OFF/ON)
45: MF/DP	(DP/MF)
46: Pulse Dial Rate	(10/16/20 pps)
47: Pulse Make Ratio	((33/39/40%)
48: Pulse Dial Type	(N/10-N/N+1)
49: MF (Tone) Duration	(75/85/100MS)
50: PBX Line	(OFF/ON)
51: Flash/Earth/Normal	(NORMAL/FLASH/EARTH)
52: Dial Prefix	(OFF/4-digit)



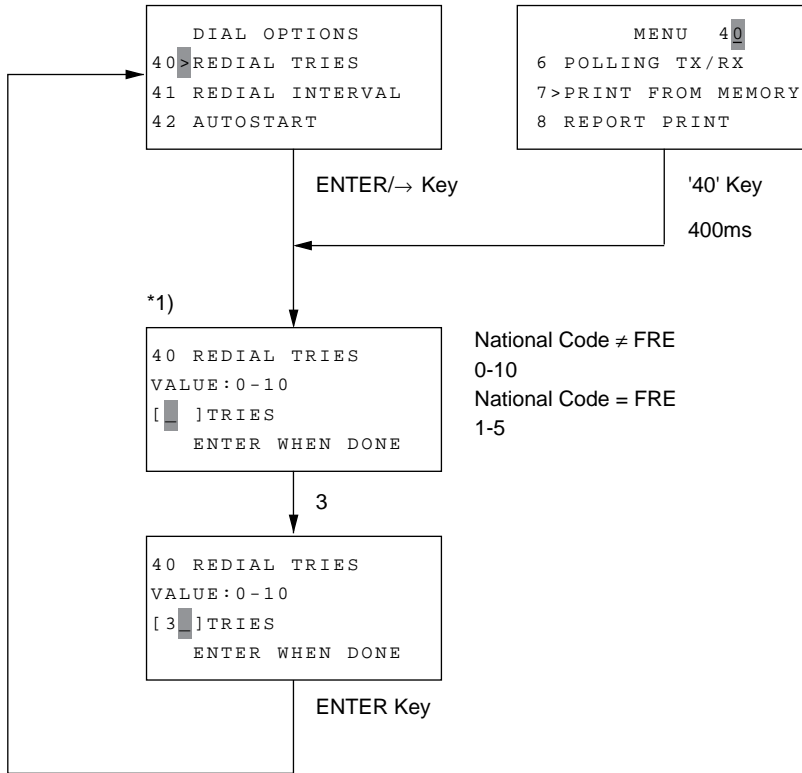


Some options of the DIALING OPTIONS menu cannot be selected depending on the destination of delivery, machine specs, and machine settings. However, numbers related to speed access are fixed. If there are unselective options, these numbers become discontinuous.

*1: This setting can be skipped when ISDN board is installed. (However, this setting can be made only when service bit is set to ON.)

2.9.5.4.1 Redial Tries

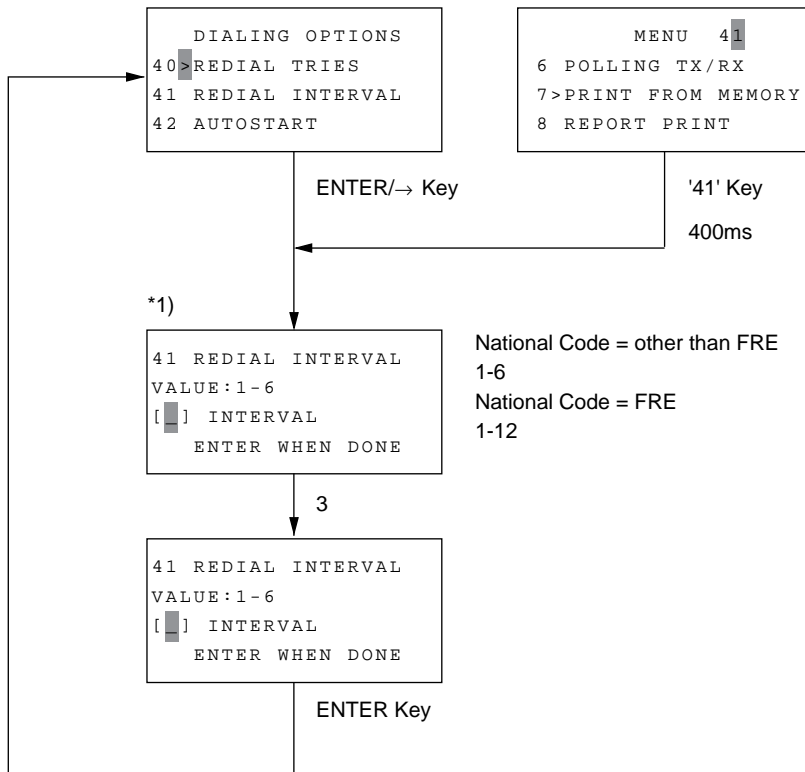
This function is used to set the number of redial tries.



*1:After the first digit is entered, "ENTER WHEN DONE" is displayed. It will not change if all characters are erased by pressing the CLEAR key.

2.9.5.4.2 Redial Interval

This function is used to set an auto redial interval.



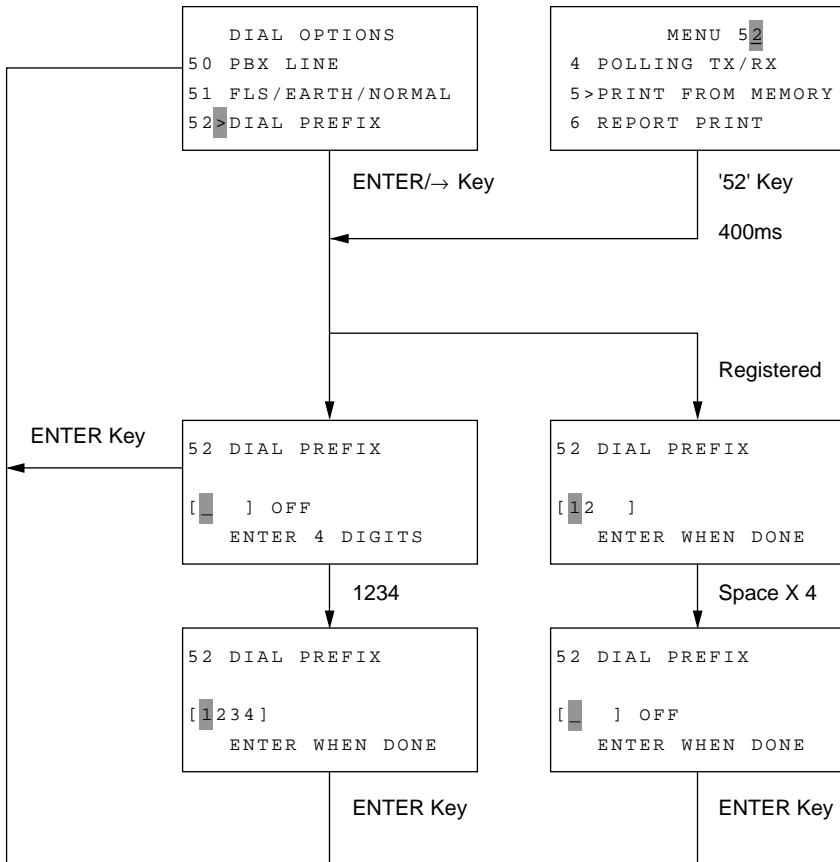
*1:After the first digit is entered, "ENTER WHEN DONE" is displayed. It will not change if all characters are erased by pressing the CLEAR key.
 *1:When National code is set to FRE, the following screen appears:

```

  41 REDIAL INTERVAL
  VALUE: 1-12
  [ ] INTERVAL
  ENTER WHEN DONE
  
```

2.9.5.4.3 Dial Prefix

This function is used to set the access digits for connecting a PBX line to the public line.



*:“OFF” appears when spaces are entered for all digits.

*:Movement and display of cursor during input of spaces and digits

- The blinking cursor moves to the first digit position when four characters (including digits and spaces) have been entered.
- When spaces are included in the 4-digit data, they are truncated on the screen.

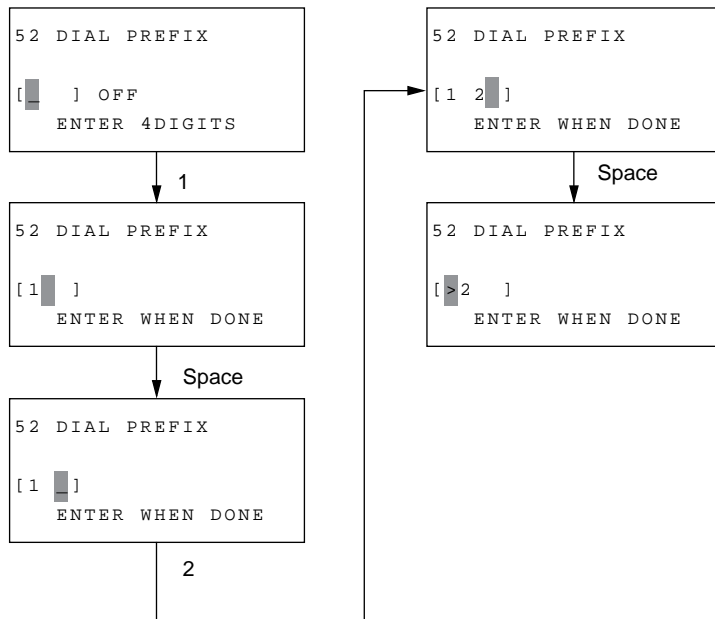


Table 2.9.5.4 Dial Options (1/3)

No.	Item	Specifications
40	Redial tries	<p>Sets on the redial tries to meet the regulations of the installed country.</p> <p>1) Setting values Country code = Other than FRE: 0-10 (in one-try steps) FRE: 1-5 (in one-tray steps)</p>
41	Redial Interval	<p>Set an automatic redialing interval to meet the regulations of installed country.</p> <p>1) Setting values Country code = Other than FRE: 1-6 (in one-minute steps) FRE: 1-12 (in one-minute steps)</p>
42	Auto Start	<p>Determine whether a call is to be originated automatically without pressing the START key after specifying a destination with a speed dial key.</p> <p>1) Setting values ON (Automatic origination)/OFF (Call is not originated until START key is pressed)</p>
43	Dial Tone Detect	<p>Determine whether a dial tone is to be detected.</p> <p>1) Setting values ON (Detected)/OFF (Not detected)</p> <p>* Selection is skipped over when the ISDN board is mounted. (selection allowed if SERVICE BIT=ON)</p>
44	Busy Tone Detect	<p>Determine whether a busy tone is to be detected.</p> <p>1) Setting values ON (Detected)/OFF (Not detected)</p> <p>* Selection is skipped over when the ISDN board is mounted. (selection allowed if SERVICE BIT=ON)</p>
45	MF/DP	<p>Determine whether MF or DP is to be used for call origination.</p> <p>1) Setting values MF (Tone)/DP (Pulse)</p> <p>* Selection is skipped over when the ISDN board is mounted. (selection allowed if SERVICE BIT=ON)</p>

Table 2.9.5.4 Dial Options (2/3)

No.	Item	Specifications
46	Pulse Dial Rate	<p>Determine a DP pulse rate used at call origination.</p> <p>1) Setting values 10pps/16pps/20pps selectable</p> <p>* Selection is skipped over when the ISDN board is mounted. (selection allowed if SERVICE BIT=ON)</p>
47	Pulse Make Ratio	<p>Set a DP make ratio at used at call origination.</p> <p>1) Setting values 33%/39%/40% selectable</p> <p>* Selection is skipped over when the ISDN board is mounted. (selection allowed if SERVICE BIT=ON)</p>
48	Pulse Dial Type	<p>Set a DP dial type.</p> <p>1) Setting values N/10-N/N+1 selectable</p> <p>N: Dial the selected number. 10-N: Dial the number obtained by subtracting the selected number from the selected number. N + 1: Dial the number obtained by adding 1 to the selected number.</p> <p>* Selection is skipped over when the ISDN board is mounted. (selection allowed if SERVICE BIT=ON)</p>
49	MF (Tone) Duration	<p>Set the MF duration.</p> <p>1) Setting values 75 ms/85 ms/100 ms selectable</p> <p>* Selection is skipped over when the ISDN board is mounted. (selection allowed if SERVICE BIT=ON)</p>
50	PBX Line	<p>Determine whether the machine is to be connected to the PBX line.</p> <p>1) Setting values ON (Connected to PBX)/ OFF (Not connected to PBX)</p> <p>* This setting cannot be made when ISDN board is installed. (However, this setting can be made only when the service bit is set to ON.)</p>

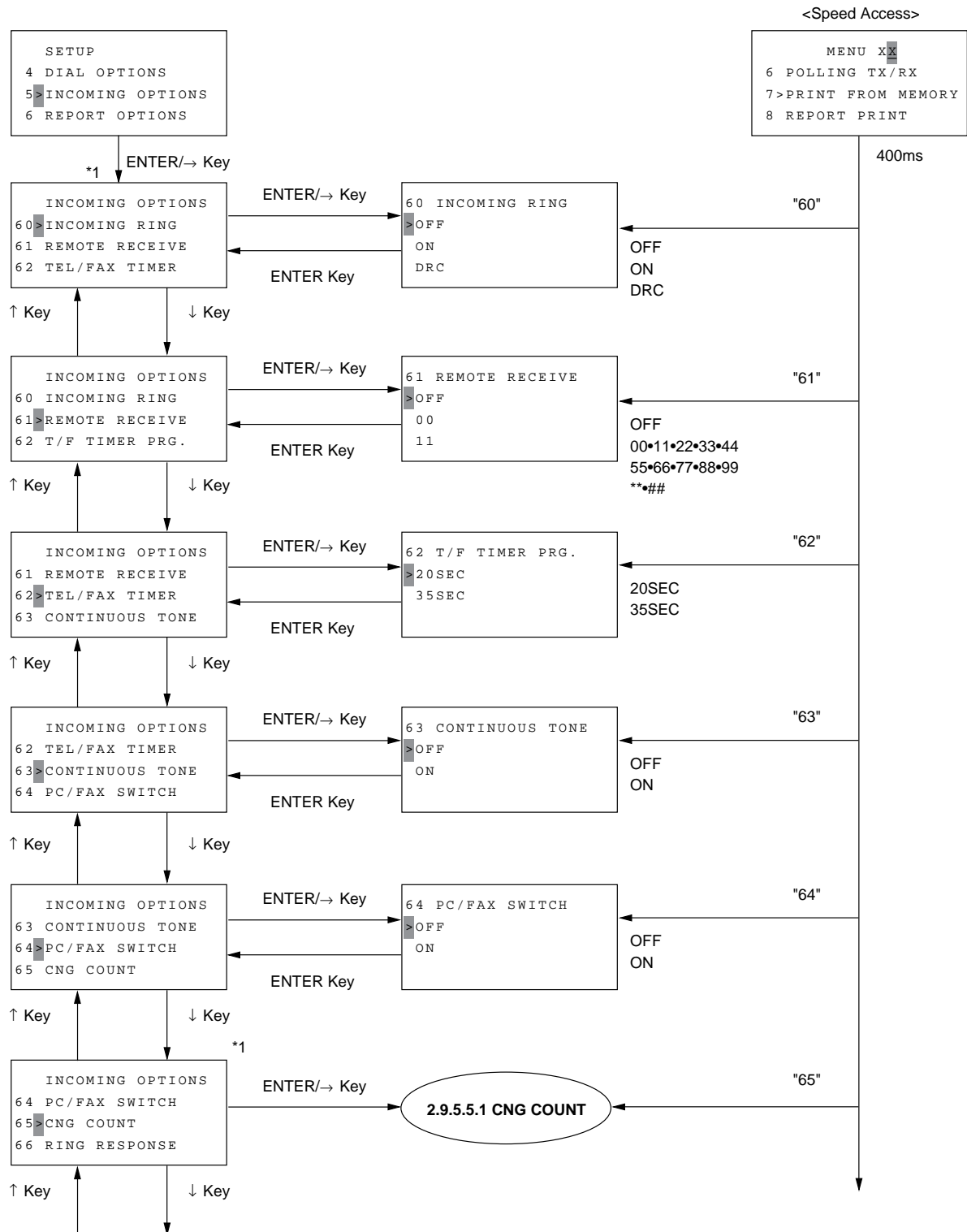
Table 2.9.5.4 Dial Options (3/3)

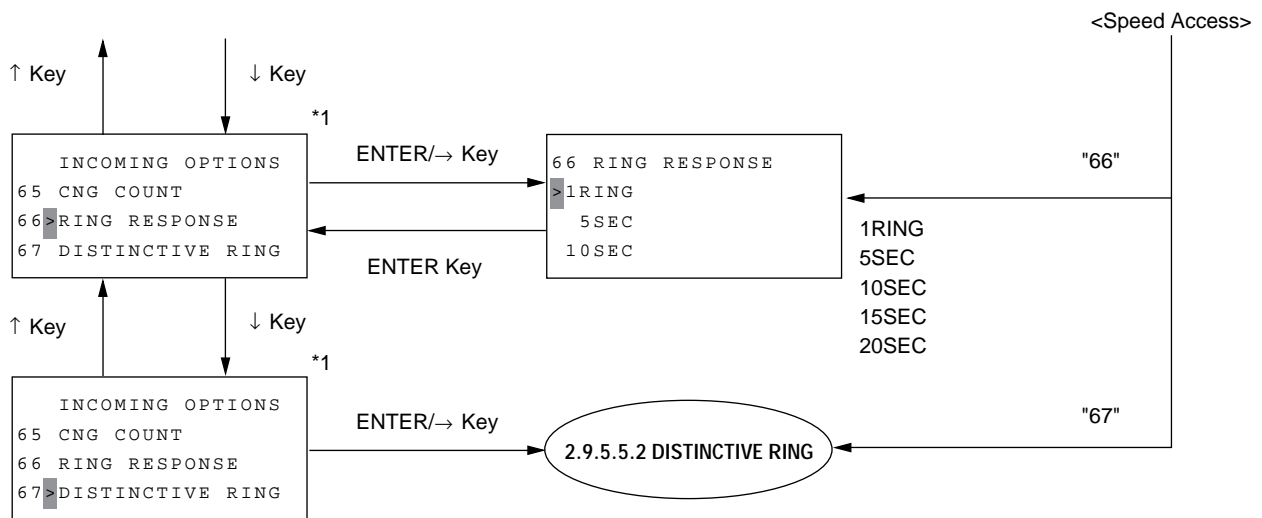
No.	Item	Specifications
51	Flash/Earth/Normal	<p>Set the method of switching between flash and earth modes for PBX line.</p> <p>1) Setting values NORMAL/FLASH/EARTH selectable (PBX line origination types)</p> <p>* Selection is skipped over when the ISDN board is mounted. (selection allowed if SERVICE BIT=ON)</p>
52	Dial Prefix	<p>Set the access digits used for connecting the PBX line to the public line.</p> <p>1) Setting values OFF/1- to 4-digit access digit (digits only)</p> <p>* Access digits are validated when a numeric value is entered. * All spaces: OFF * Selection is skipped over when the ISDN board is mounted. (selection allowed if SERVICE BIT=ON)</p>

Note: Setting values are defined for each country code.

2.9.5.5 Incoming Options:

- 60: Incoming Ring (OFF/ON/DRC)
- 61: Remote Receive (OFF/00/11/22/33/44/55/66/77/88/99/**/###)
- 62: T/F Timer Programming (20/35SEC)
- 63: Continuous Tone (OFF/ON)
- 64: PC/FAX Switch (OFF/ON)
- 65: CNG Count (1 to 5)
- 65: Ring Response (1RING/5SEC/10SEC/15SEC/20SEC)
- 66: Distinctive Ring (OFF/ON/SET)

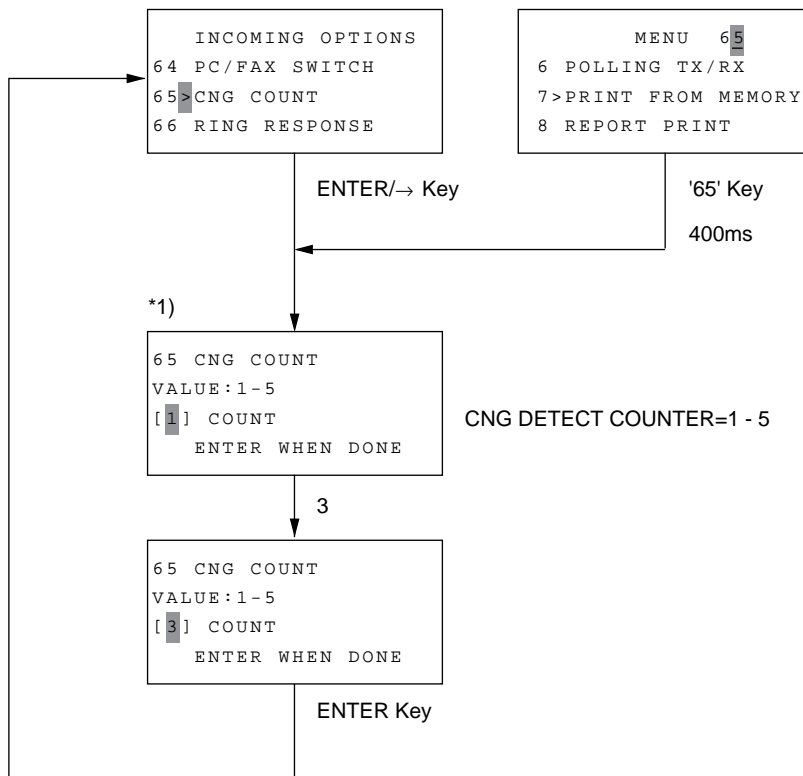




Some options of the INCOMING OPTIONS menu cannot be selected depending on the destination of delivery, machine specs, and machine settings. However, numbers related to speed access are fixed. If there are unselective options, these numbers become discontinuous.

*1: This setting can be skipped when ISDN board is installed. (However, this setting can be made only when service bit is set to ON.)

2.9.5.5.1 CNG COUNT



*1): After the first digit is entered, "ENTER WHEN DONE" is displayed.

2.9.5.5.2 Distinctive Ring

This function is used to make settings for distinctive ring learning (remembrance) and detection.

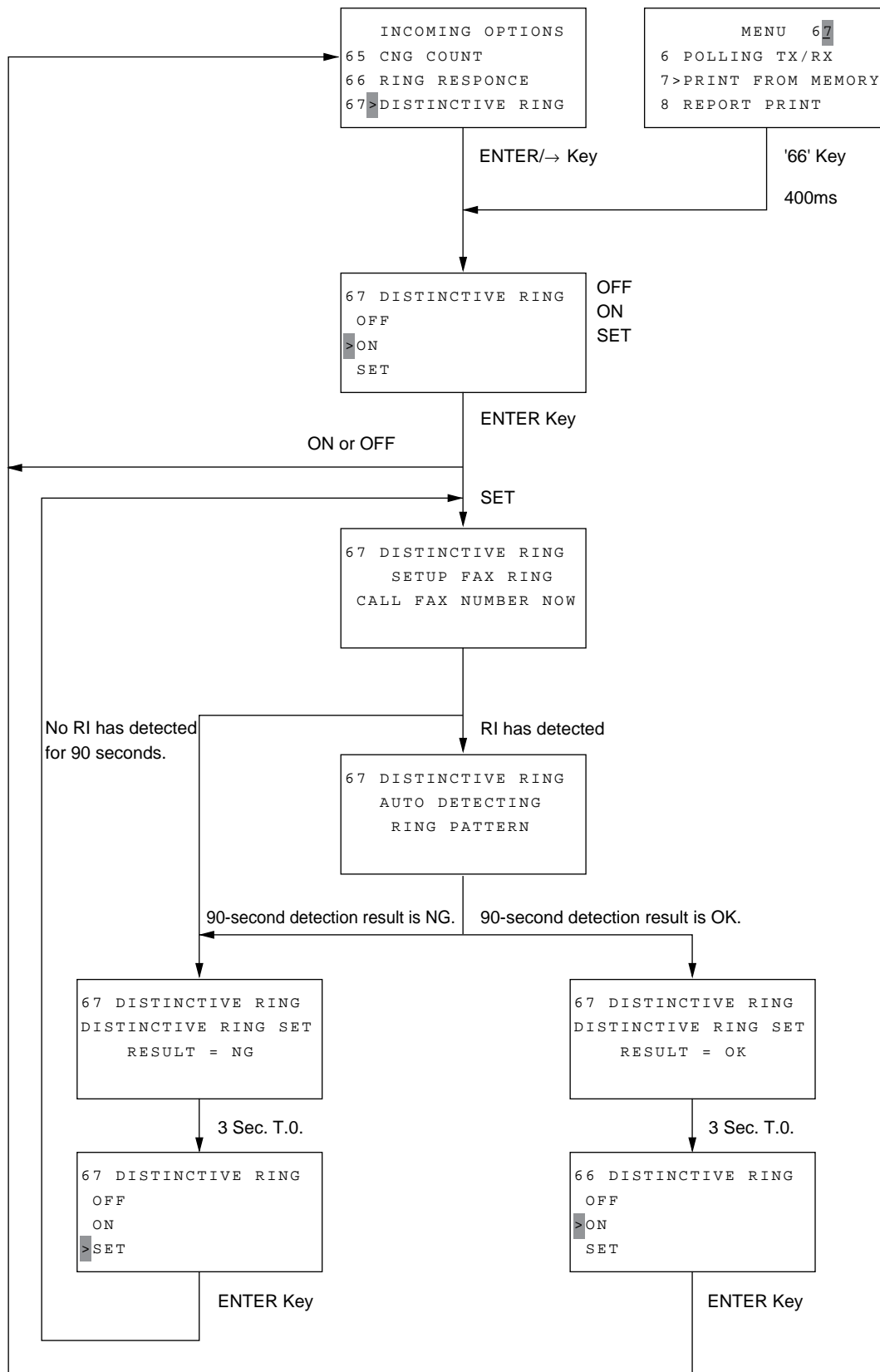


Table 2.9.5.5 Incoming Options (1/3)

No.	Item	Specifications
60	Incoming Ring	<p>Set up the soft ringer. Instead of ringer circuit, software can control built-in speaker to ring sound.</p> <p>1) Setting values ON (Sounded)/OFF (Not sounded)/DRC (Sounded during DRC detection)</p> <ul style="list-style-type: none"> * Selection is skipped over when the ISDN board is mounted. (selection allowed if SERVICE BIT=ON) * If DISTINCTIVE RING is settable, OFF/ON/DRC is selectable. ("Settable" means that SERVICE BIT is ON or mask by XPARA is not provided with SERVICE BIT=OFF.) * If DISTINCTIVE RING cannot be set, OFF or ON is selectable. * Setting is possible if SERVICE BIT is ON even though masking is done by XPARA. In this case, if SERVICE BIT is turned OFF with this setting set to DRC, setting is changed from DRC to the default (i.e. initial value provided for each default type). * If COUNTRY CODE is USA, AUS, NZL, SIN or HNG, this setting is set to DRC. If COUNTRY CODE is changed to any other country, setting is changed from DRC to the default.
61	Remote Receive	<p>Set a remote access address.</p> <p>This function is used to transfer a call received by an external telephone set (connected to fax) by entering two-digit MF tones if the remote receive setting is not OFF.</p> <p>When this function is off, control of Parallel Pick Up doesn't do it at all regardless of ON/OFF of Parallel Pick Up setting.</p> <p>1) Setting values Select one of the following: OFF/00/11/22/33/44/55/66/77/88/99/**/### selectable</p> <ul style="list-style-type: none"> * Selection is skipped over when the ISDN board is mounted. (selection allowed if SERVICE BIT=ON)

Table 2.9.5.5 Incoming Options (2/3)

No.	Item	Specifications
62	T/F Timer Programming	<p>Set the time till start of automatic reception when the operator has performed no operation for the call terminated in the TEL/FAX mode.</p> <p>1) Setting values 20SEC/35SEC selectable</p> <p>* Selection is skipped over when the ISDN board is mounted. (selection allowed if SERVICE BIT=ON)</p>
63	Continuous Tone	<p>Set up the reception completion buzzer. The buzzer sound can be stopped by pressing the STOP key.</p> <p>1) Setting values ON: Sounded OFF: Not sounded</p>
64	PC/FAX Switch	<p>Determine whether the FAX reception mode is to be selected automatically when PC reception is impossible.</p> <p>1) Setting values ON: Selects the FAX reception mode. Fax transfers received faxes directly to PC. OFF: Does not select the FAX reception mode (reception disabled). Fax receives and prints the message.</p>
65	CNG Count	<p>When T/F, TAD, or Parallel pickup is operating in CNG signal detection processing, this setting can be shifted to the facsimile reception mode at the time of number of CNG signal detection times are equal to the set values.</p> <p>1) Setting values: 1 -5 (in one-tray steps)</p> <p>* Selection is skipped over when the ISDN board is mounted. (selection allowed if SERVICE BIT=ON)</p>
66	Ring Response	<p>Sets the time from arrival of a ring to line seizure</p> <p>1) Setting values 1 ring/5 sec/10 sec/15 sec/20 sec selectable</p> <p>* Selection is skipped over when the ISDN board is mounted. (selection allowed if SERVICE BIT=ON)</p>

Table 2.9.5.5 Incoming Options (3/3)

No.	Item	Specifications
67	Distinctive Ring	<p>Determine whether a distinctive is to be remembered and detected. Only in GER, SUI, and AUT modes, OFF is set as the default. When ON is selected, reception operation starts only when a remembered ring pattern is detected. If it has not been remembered, a ring pattern defined for each country as the default is used to detect it.</p> <p>1) Setting values</p> <p>ON: Detected OFF: Not detected SET: Remembered</p> <p>* Selection is skipped over when the ISDN board is mounted. (selection allowed if SERVICE BIT=ON) * When changing the country code, this setting is forcibly set to OFF. * In case of applicable countries of DRC remembered ring pattern (Country code=USA, AUS, NZL, SIN, and HUG), OFF/ON/SET can be selected as default. Except for above country, OFF/SET can be selected as default.</p>

Note: Setting values are defined for each default type

2.9.5.6 Report Options:

- 70: MCF. (Single-Loc.) (OFF/ON)
- 71: MCF. (Multi-Loc.) (OFF/ON)
- 72: Image in MCF. (OFF/ON)
- 73: Error Report (MCF.) (OFF/ON)

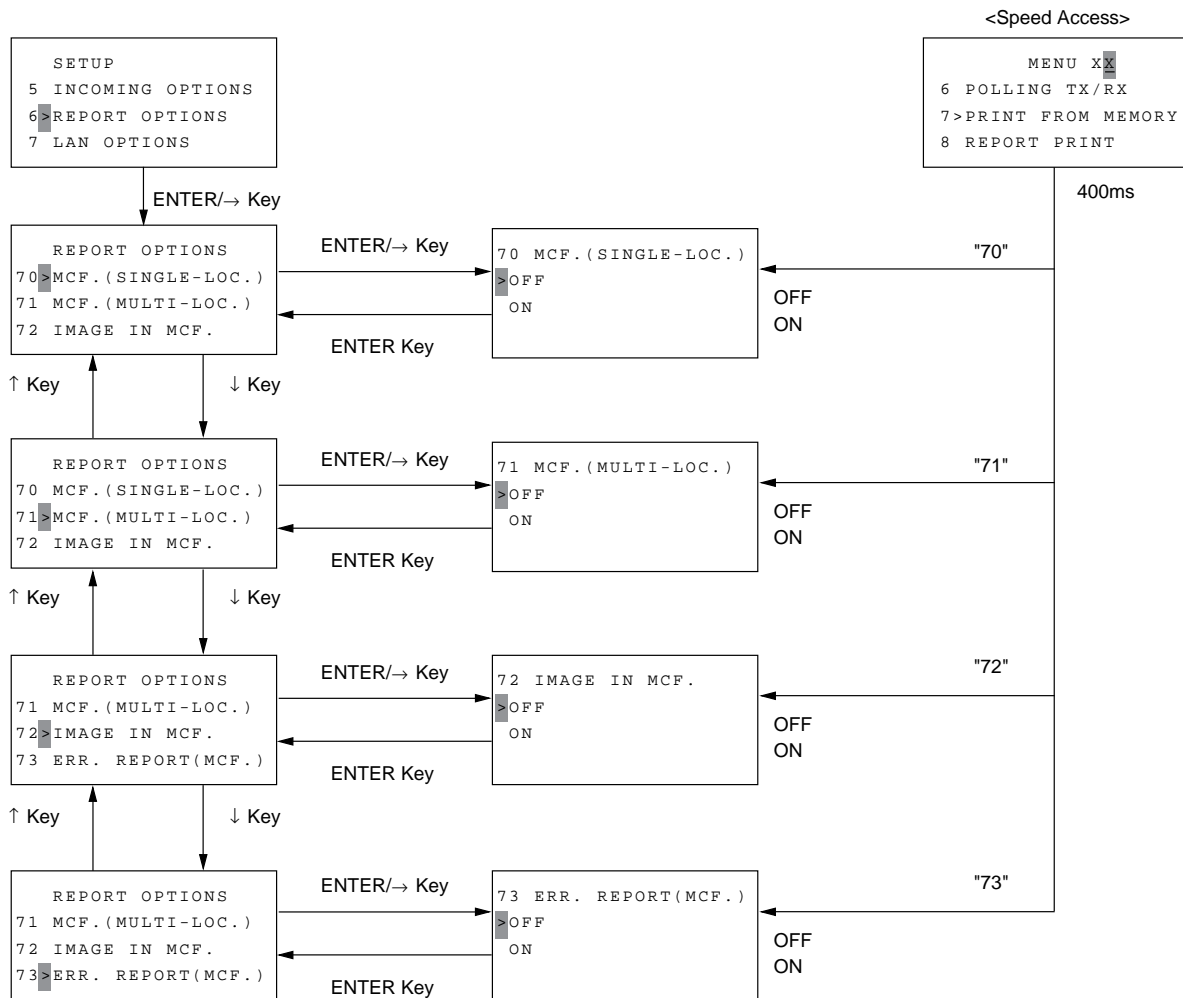


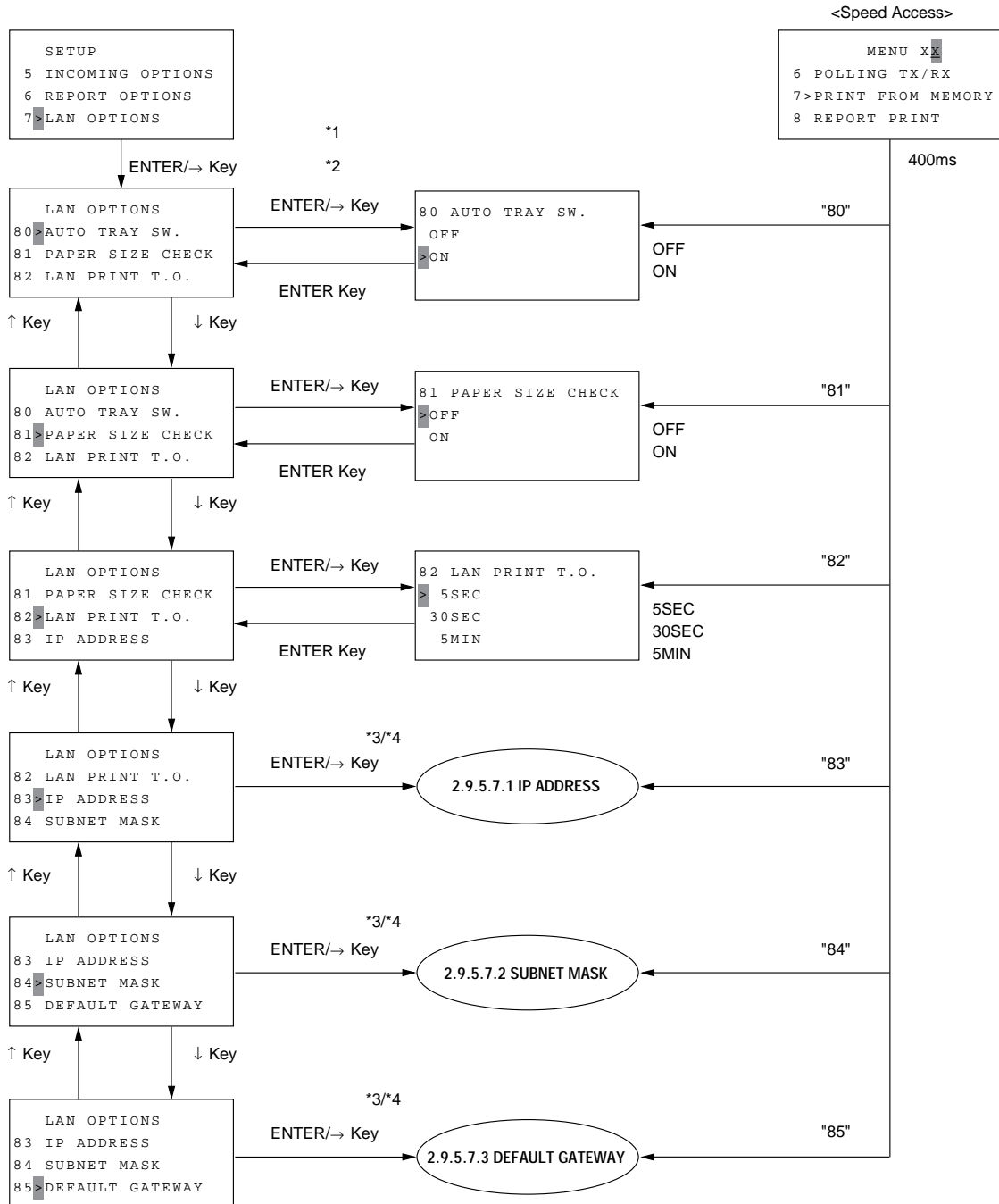
Table 2.9.5.6 Report Options

No.	Item	Specifications
70	Message Confirmation Report (Single location)	<p>Determine whether a single location transmission result report is to be output automatically.</p> <p>1) Setting values ON: Report is output automatically. OFF: Report is not output automatically.</p>
71	Message Confirmation Report (Multiple locations)	<p>Determine whether a multi-location transmission result report is to be output automatically.</p> <p>1) Setting values ON: Report is output automatically. OFF: Report is not output automatically.</p>
72	Image in MCF	<p>Determine whether an image is to be added to the message confirmation result report.</p> <p>1) Setting values ON: Image is added. OFF: Image is not added.</p>
73	Error Report MCF.	<p>Determine whether an error report is to be output automatically when communication does not end with S.C 0000 (service code 0000).</p> <p>1) Setting values ON: Report is output automatically. OFF: Report is not output automatically.</p>

Note: Setting values are defined for each default type

2.9.5.7 LAN Options:

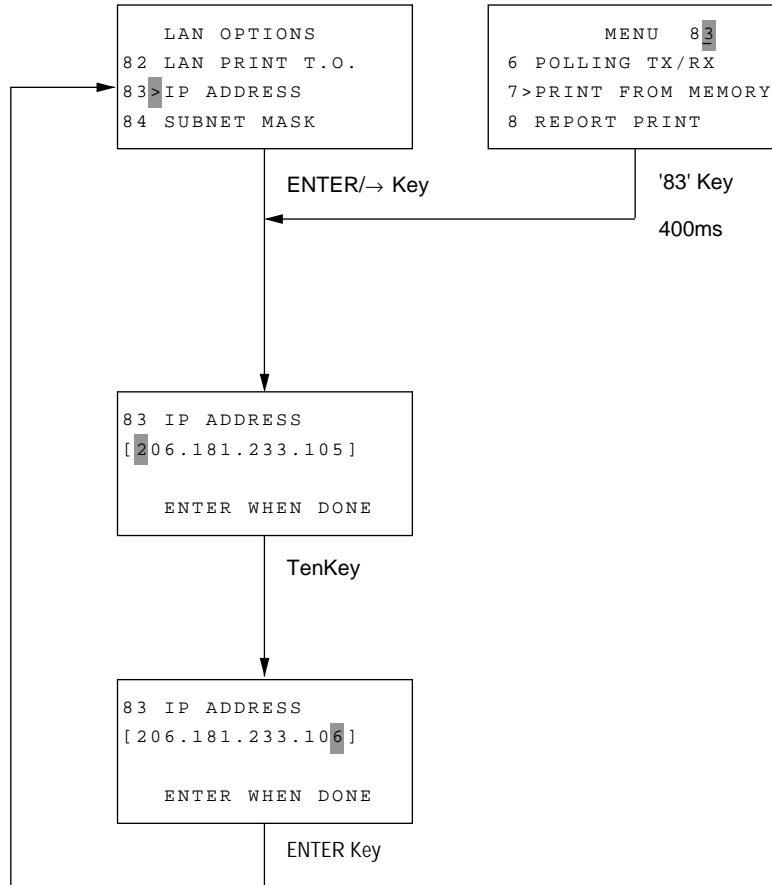
- 80: Auto Tray Switch (OFF/ON)
- 81: Paper Size Check (OFF/ON)
- 82: LAN Print Timeout (5SEC/30SEC/5MIN)
- 83: IP Address See Section 2.9.5.7.1
- 84: Subnet Mask See Section 2.9.5.7.2
- 85: Default Gateway See Section 2.9.5.7.3



*1: If no LAN option is used, "7 LAN OPTIONS" is not displayed.
 *2: During NIC initialization or HSP error. "FUNC. NOT AVAIL." is indicated during 3 seconds by pressing ENTER/→key.
 *3: If an HSP error occurs. "FUNC. NOT AVAIL." is indicated during 3 seconds by pressing ENTER/→key.
 *4: When there is case where NIC card cannot be supported, these mode will not be displayed.

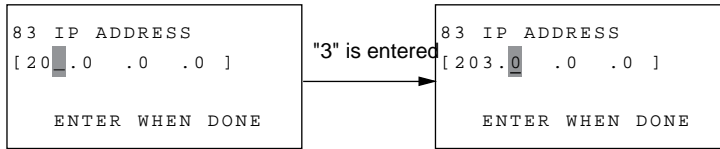
2.9.5.7.1 IP Address

This function is used to display the IP address from the NIC, confirm the data from the terminal, and change settings.



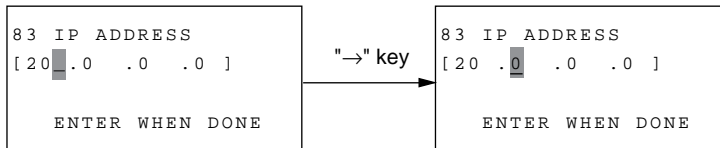
Entering an IP address value

- 1) Setting data is received from NIC. When HSP error has occurred during the data reception, the machine returns to the "LAN OPTIONS" menu screen after "FUNC. NOT AVAIL" is displayed during 3 seconds.
- 2) When three digits of the network ID or host ID have been entered, the blinking cursor automatically moves to the position following the dot.
- 3) When three digits have not been entered, the blinking cursor position moves to the next



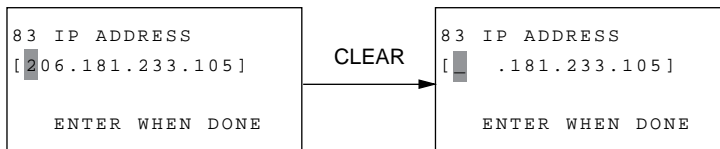
digit input by the pressing the SHIFT RIGHT key.

- 4) When the CLEAR key is pressed, a maximum of three characters are erased from the

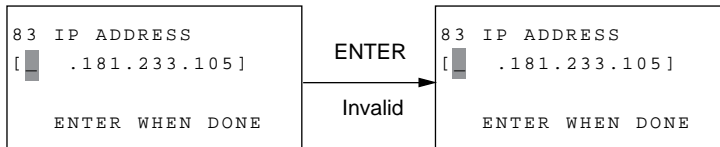


blinking cursor position to the dot position.

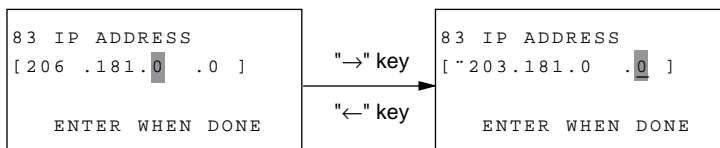
- 5) The ENTER key is rejected if the numeric entry space delimited by dot is empty.



- 6) The right-left shift key is valid during input.



- 7) Whether the entered value is correct is identified when numeric entry between dots is

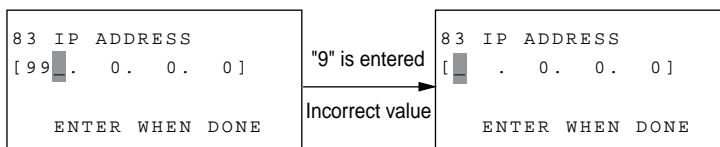


*The cursor cannot be moved over the numeric between dots.

determined as shown below.

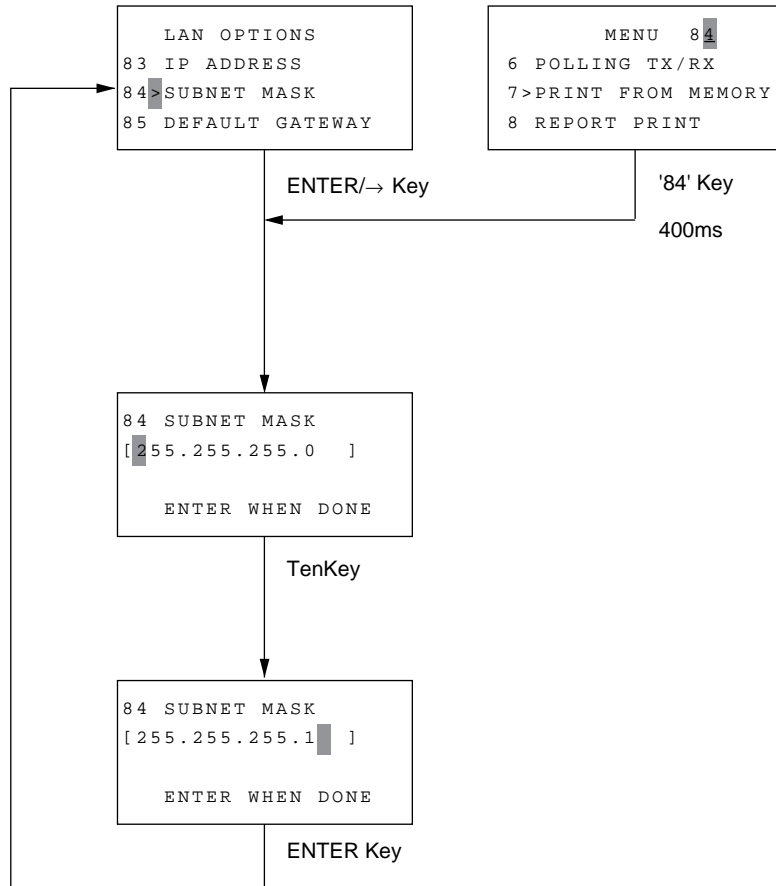
- 3-digit entry: When 3 digits are entered
- Less than 3 digits: When the SHIFT key is pressed

- 8) The value that can be entered ranges from 0 to 255 but the suitable value depends on network limitation, etc.



2.9.5.7.2 Subnet Mask

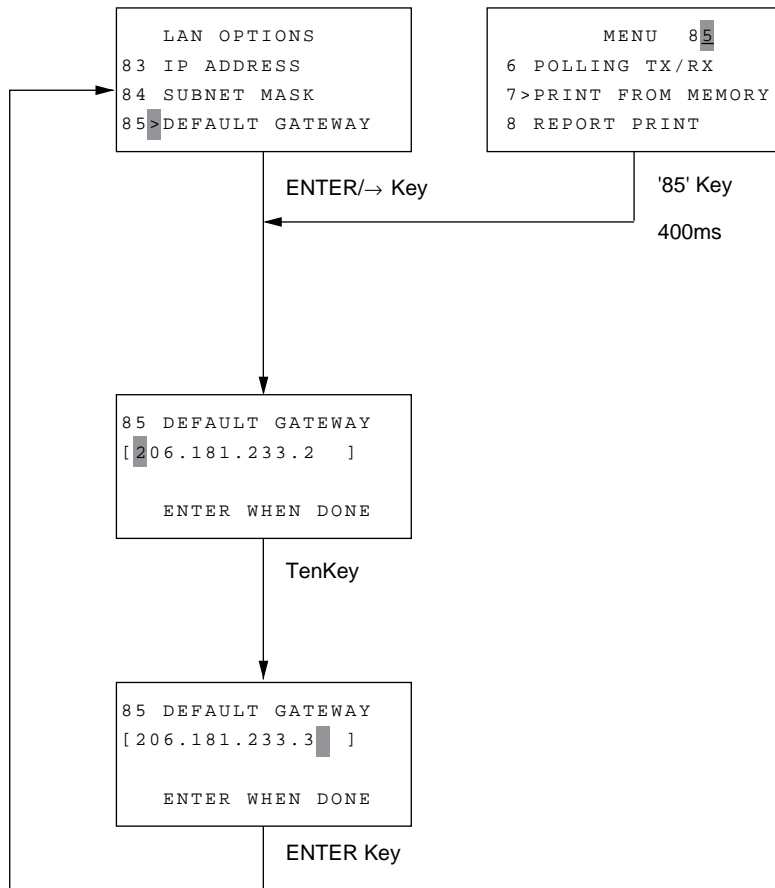
This function is used to display the sub net address from NIC, confirm the data from the terminal, and change settings.



Entering a subnet mask value
Same as "Entering an IP address value"

2.9.5.7.3 Default Gateway

This function is used to display the gateway address from NIC, confirm the data from the terminal, and change settings (NIC option setting).



Entering a gateway value
Same as "Entering an IP address value"

Table 2.9.5.7 LAN Options (1/2)

No.	Item	Specifications
80	Auto Tray Switch	<p>Determine whether the current tray is automatically switched to another tray when the current tray runs out of paper in the LAN print mode. This setting can be made only when the second tray is installed.</p> <p>1) Setting values ON: Switched OFF: Not switched</p>
81	Paper Size Check	<p>Determine whether the set paper size is to be checked against the host-specified paper size in the LAN print mode.</p> <p>1) Setting values ON: Checked OFF: Not checked</p> <p>* If the two paper sizes do not match, the machine takes the following action: ON: Issues a paper request directly before starting printing and detects the paper size and jam after starting printing. OFF: Does not issues a paper request directly before starting printing nor detect the paper size and jam after starting printing.</p>
82	LAN Print Timeout	<p>Set the time from job start to job end during which image data storage in the image memory (from LAN) should be completed. If this time is expired, LAN printing will be interrupted.</p> <p>1) Setting values 5 sec/30 sec/5 min selectable</p>
83	IP Address	<p>Display the IP address from the NIC, check the data from the terminal, and change the setting.</p> <p>1) Setting values 32 bits are divided into four 8-bit decimal values for setting. The decimal values are separated by dots as shown below. [206.181.233.105]</p> <p>* If a LAN option is installed, this setting cannot be made when an HSP error has occurred. * This setting cannot be made when not supported by NIC card.</p>

Table 2.9.5.7 LAN Options (2/2)

No.	Item	Specifications
84	Subnet Mask	<p>Display the subnet address from the NIC, check the data from the terminal, and change the setting.</p> <p>1) Setting values 32 bits are divided into four 8-bit decimal values for setting. The decimal values are separated by dots as shown below. [207.255.255.0]</p> <p>* If a LAN option is installed, this setting cannot be made when an HSP error has occurred. * This setting cannot be made when not supported by NIC card.</p>
85	Default Gateway	<p>Display the gateway address from the NIC, check the data from the terminal, and change the setting (NIC option setting).</p> <p>1) Setting values 32 bits are divided into four 8-bit decimal values for setting. The decimal values are separated by dots as shown below. [206.181.233.2]</p> <p>* If a LAN option is installed, this setting cannot be made when an HSP error has occurred. * This setting cannot be made when not supported by NIC card.</p>

*Note: Setting values are defined for each default type
 The settings listed below can be made only when a LAN option is installed. When it is not installed, none of LAN-related setup items can be selected. None of them can be selected during NIC initialization.*

2.9.6 User Default Setting

No	Technical Setting Items	Setting Selection	1	2	3	4	5	6	7	8	9	10	11	12	13	14	15	16	17	18	19	20	(21)	
			ODA	LTA	E-INT	E-GER	E-FRE	O-AUS	O-NZL	O-SIN	O-HNG	L-AG	IRL	DEN	SWE	NOR	SUI	AUT	HOL	ITA	ESP	Spare	Factory	
	MACHINE SETTINGS																							
10	AUTO ANSWER MODE	FAX/TEL/T/IF/TAD/MEM/PC/FWD	FAX	FAX	FAX	FAX	FAX	FAX	FAX	FAX	FAX	FAX	FAX	FAX	FAX	FAX	FAX	FAX	FAX	FAX	FAX	FAX	FAX	
11	MONITOR VOLUME	LOW / MID -LOW / MID. / HIGH-MID. / HIGH	MID	MID	MID	MID	MID	MID	MID	MID	MID	MID	MID	MID	MID	LOW	MID	MID	MID	MID	HIGH	HIGH	MID	HIGH
12	BUZZER VOLUME	LOW / MID / HIGH	MID	MID	MID	MID	MID	MID	MID	MID	MID	MID	MID	MID	MID	LOW	MID	MID	MID	MID	HIGH	HIGH	MID	HIGH
13	USER LANGUAGE	LNG1 / LNG2	LNG1	LNG1	LNG1	LNG2	LNG2	LNG1	LNG1	LNG1	LNG1	LNG1	LNG1	LNG2	LNG2	LNG2	LNG2	LNG2	LNG2	LNG2	LNG2	LNG2	LNG1	LNG2
14	REMOTE DIAGNOSIS	STANDARD / FINE / EXTRA FINE/ PHOTO	OFF	OFF	OFF	OFF	OFF	ON	ON	OFF	OFF	OFF	OFF	OFF	OFF	OFF	OFF	OFF	OFF	OFF	OFF	OFF	OFF	ON
15	TX MODE DEFAULT	NORMAL / DARK / LIGHT	ON / OFF	ON / OFF	ON / OFF	ON / OFF	ON / OFF	ON / OFF	ON / OFF	ON / OFF	ON / OFF	ON / OFF	ON / OFF	ON / OFF	ON / OFF	ON / OFF	ON / OFF	ON / OFF	ON / OFF	ON / OFF	ON / OFF	ON / OFF	ON / OFF	ON / OFF
16	NO TONER MEM. RX		OFF	OFF	OFF	OFF	OFF	OFF	OFF	OFF	OFF	OFF	OFF	OFF	OFF	OFF	OFF	OFF	OFF	OFF	OFF	OFF	OFF	OFF
17	MEM. FULL SAVE		ON / OFF	ON / OFF	ON / OFF	ON / OFF	ON / OFF	ON / OFF	ON / OFF	ON / OFF	ON / OFF	ON / OFF	ON / OFF	ON / OFF	ON / OFF	ON / OFF	ON / OFF	ON / OFF	ON / OFF	ON / OFF	ON / OFF	ON / OFF	ON / OFF	ON / OFF
18	INSTANT DIALING		ON / OFF	ON / OFF	ON / OFF	ON / OFF	ON / OFF	ON / OFF	ON / OFF	ON / OFF	ON / OFF	ON / OFF	ON / OFF	ON / OFF	ON / OFF	ON / OFF	ON / OFF	ON / OFF	ON / OFF	ON / OFF	ON / OFF	ON / OFF	ON / OFF	ON / OFF
19	RESTRICT ACCESS		ON / OFF	ON / OFF	ON / OFF	ON / OFF	ON / OFF	ON / OFF	ON / OFF	ON / OFF	ON / OFF	ON / OFF	ON / OFF	ON / OFF	ON / OFF	ON / OFF	ON / OFF	ON / OFF	ON / OFF	ON / OFF	ON / OFF	ON / OFF	ON / OFF	ON / OFF
20	ECM FUNCTION		ON / OFF	ON / OFF	ON / OFF	ON / OFF	ON / OFF	ON / OFF	ON / OFF	ON / OFF	ON / OFF	ON / OFF	ON / OFF	ON / OFF	ON / OFF	ON / OFF	ON / OFF	ON / OFF	ON / OFF	ON / OFF	ON / OFF	ON / OFF	ON / OFF	ON / OFF
21	CLOSED NETWORK		OFF / TXRX / RX	OFF / TXRX / RX	OFF / TXRX / RX	OFF / TXRX / RX	OFF / TXRX / RX	OFF / TXRX / RX	OFF / TXRX / RX	OFF / TXRX / RX	OFF / TXRX / RX	OFF / TXRX / RX	OFF / TXRX / RX	OFF / TXRX / RX	OFF / TXRX / RX	OFF / TXRX / RX	OFF / TXRX / RX	OFF / TXRX / RX	OFF / TXRX / RX	OFF / TXRX / RX	OFF / TXRX / RX	OFF / TXRX / RX	OFF / TXRX / RX	OFF / TXRX / RX
22	TONER SAVE		ON / OFF	ON / OFF	ON / OFF	ON / OFF	ON / OFF	ON / OFF	ON / OFF	ON / OFF	ON / OFF	ON / OFF	ON / OFF	ON / OFF	ON / OFF	ON / OFF	ON / OFF	ON / OFF	ON / OFF	ON / OFF	ON / OFF	ON / OFF	ON / OFF	ON / OFF
23	SENDER ID		ON / OFF	ON / OFF	ON / OFF	ON / OFF	ON / OFF	ON / OFF	ON / OFF	ON / OFF	ON / OFF	ON / OFF	ON / OFF	ON / OFF	ON / OFF	ON / OFF	ON / OFF	ON / OFF	ON / OFF	ON / OFF	ON / OFF	ON / OFF	ON / OFF	ON / OFF
24	1 ST PAPER SIZE	A4/LETTER/LEGAL13/LEGAL14/ EXEC./JIS-B5/A5/A6	LET	LET	A4	A4	A4	A4	A4	A4	A4	LET	A4	A4	A4	A4	A4	A4	A4	A4	A4	A4	A4	LET
25	2 ND PAPER SIZE	A4/LETTER/LEGAL13/LEGAL14/ EXEC./JIS-B5/A5	LET	LET	A4	A4	A4	A4	A4	A4	A4	LET	A4	A4	A4	A4	A4	A4	A4	A4	A4	A4	A4	LET
26	POWER SAVE MODE		ON / OFF	ON / OFF	ON / OFF	ON / OFF	ON / OFF	ON / OFF	ON / OFF	ON / OFF	ON / OFF	ON / OFF	ON / OFF	ON / OFF	ON / OFF	ON / OFF	ON / OFF	ON / OFF	ON / OFF	ON / OFF	ON / OFF	ON / OFF	ON / OFF	ON / OFF
27	ISDN DIAL MODE	G4 / G3	G4	G4	G4	G4	G4	G4	G4	G4	G4	G4	G4	G4	G4	G4	G4	G4	G4	G4	G4	G4	G4	G4
28	SPEECH RECEIVE		ON / OFF	ON / OFF	ON / OFF	ON / OFF	ON / OFF	ON / OFF	ON / OFF	ON / OFF	ON / OFF	ON / OFF	ON / OFF	ON / OFF	ON / OFF	ON / OFF	ON / OFF	ON / OFF	ON / OFF	ON / OFF	ON / OFF	ON / OFF	ON / OFF	ON / OFF
	INCOMING OPTIONS																							
60	INCOMING RING		ON / OFF	ON / OFF	ON / OFF	ON / OFF	ON / OFF	ON / OFF	ON / OFF	ON / OFF	ON / OFF	ON / OFF	ON / OFF	ON / OFF	ON / OFF	ON / OFF	ON / OFF	ON / OFF	ON / OFF	ON / OFF	ON / OFF	ON / OFF	ON / OFF	ON / OFF
61	REMOTE RECEIVE	OFF / ON / DRG OFF/00/11/22/...../88/99/ ** / ##	OFF	OFF	OFF	OFF	OFF	OFF	**	OFF	OFF	OFF	OFF	OFF	**	OFF	OFF	OFF	OFF	OFF	OFF	OFF	OFF	OFF
62	T / F TIMER PRG.	20 sec / 35 sec	35	35	20	35	20	35	35	35	35	35	20	20	20	35	35	35	20	35	20	20	35	
63	CONTINUOUS TONE		OFF	OFF	OFF	OFF	OFF	OFF	OFF	OFF	OFF	OFF	OFF	OFF	OFF	OFF	OFF	OFF	OFF	OFF	OFF	OFF	OFF	OFF
64	PC / FAX SWITCH		ON / OFF	ON / OFF	ON / OFF	ON / OFF	ON / OFF	ON / OFF	ON / OFF	ON / OFF	ON / OFF	ON / OFF	ON / OFF	ON / OFF	ON / OFF	ON / OFF	ON / OFF	ON / OFF	ON / OFF	ON / OFF	ON / OFF	ON / OFF	ON / OFF	ON / OFF
65	CNG COUNT	1 - 5	1	1	1	1	1	1	1	1	1	1	1	1	1	1	1	1	1	1	1	1	1	1
66	RING RESPONSE	Tring/5sec/10sec/15sec/20sec	Tring	Tring	Tring	Tring	Tring	Tring	Tring	Tring	Tring	Tring	Tring	Tring	Tring	Tring	Tring	Tring	Tring	Tring	Tring	Tring	Tring	Tring
67	DISTINCTIVE RING	OFF / ON / SET	OFF	OFF	OFF	OFF	OFF	OFF	OFF	OFF	OFF	OFF	OFF	OFF	OFF	OFF	OFF	OFF	OFF	OFF	OFF	OFF	OFF	OFF
	REPORT OPTIONS																							
70	MCF (single-loc.)		ON / OFF	ON / OFF	ON / OFF	ON / OFF	ON / OFF	ON / OFF	ON / OFF	ON / OFF	ON / OFF	ON / OFF	ON / OFF	ON / OFF	ON / OFF	ON / OFF	ON / OFF	ON / OFF	ON / OFF	ON / OFF	ON / OFF	ON / OFF	ON / OFF	ON / OFF
71	MCF (multi-loc.)		ON / OFF	ON / OFF	ON / OFF	ON / OFF	ON / OFF	ON / OFF	ON / OFF	ON / OFF	ON / OFF	ON / OFF	ON / OFF	ON / OFF	ON / OFF	ON / OFF	ON / OFF	ON / OFF	ON / OFF	ON / OFF	ON / OFF	ON / OFF	ON / OFF	ON / OFF
72	IMAGE IN MCF		ON / OFF	ON / OFF	ON / OFF	ON / OFF	ON / OFF	ON / OFF	ON / OFF	ON / OFF	ON / OFF	ON / OFF	ON / OFF	ON / OFF	ON / OFF	ON / OFF	ON / OFF	ON / OFF	ON / OFF	ON / OFF	ON / OFF	ON / OFF	ON / OFF	ON / OFF
73	ERR. REPORT (MCF)		ON / OFF	ON / OFF	ON / OFF	ON / OFF	ON / OFF	ON / OFF	ON / OFF	ON / OFF	ON / OFF	ON / OFF	ON / OFF	ON / OFF	ON / OFF	ON / OFF	ON / OFF	ON / OFF	ON / OFF	ON / OFF	ON / OFF	ON / OFF	ON / OFF	ON / OFF
	LAN OPTIONS																							
80	AUTO TRAY SW.		ON / OFF	ON / OFF	ON / OFF	ON / OFF	ON / OFF	ON / OFF	ON / OFF	ON / OFF	ON / OFF	ON / OFF	ON / OFF	ON / OFF	ON / OFF	ON / OFF	ON / OFF	ON / OFF	ON / OFF	ON / OFF	ON / OFF	ON / OFF	ON / OFF	ON / OFF
81	PAPER SIZE CHECK		ON / OFF	ON / OFF	ON / OFF	ON / OFF	ON / OFF	ON / OFF	ON / OFF	ON / OFF	ON / OFF	ON / OFF	ON / OFF	ON / OFF	ON / OFF	ON / OFF	ON / OFF	ON / OFF	ON / OFF	ON / OFF	ON / OFF	ON / OFF	ON / OFF	ON / OFF
82	LAN PRINT I.O.	5SEC / 30SEC / 5MIN	30SEC	30SEC	30SEC	30SEC	30SEC	30SEC	30SEC	30SEC	30SEC	30SEC	30SEC	30SEC	30SEC	30SEC	30SEC	30SEC	30SEC	30SEC	30SEC	30SEC	30SEC	30SEC
83	IP ADDRESS																							
84	SUBNET MASK																							
85	DEFAULT GATEWAY																							
	COMMUNICATION PARAMETER																							
	COMMUNICATION SPEED	33600/28800/14400/9600/4800 BPS																						
	ECHO PROTECTION		ON / OFF	ON / OFF	ON / OFF	ON / OFF	ON / OFF	ON / OFF	ON / OFF	ON / OFF	ON / OFF	ON / OFF	ON / OFF	ON / OFF	ON / OFF	ON / OFF	ON / OFF	ON / OFF	ON / OFF	ON / OFF	ON / OFF	ON / OFF	ON / OFF	ON / OFF
	ISDN DIAL MODE	G4/G3																						

The outside of the object of the default settings.
This setting reads the setting value of NIC card.

This setting is initialized on the following condition. (Commn. Speed = 33.6 kbps, Echo Protection = OFF, Isdn Dial Mode = G4)
1. Default Type setting, 2. All Data Clear, 3. Config. Data Clear, 4. The renewal of the TEL No.(ALT#) registration data and clear.

2.9.7 Technical Default Setting

No	Technical Setting Items	Setting Selection	1	2	3	4	5	6	7	8	9	10	11	12	13	14	15	16	17	18	19	20	(21) Factory	Note	
1	SERVICE BIT	ON/OFF	ODA	LTA	E-JNT	E-GER	E-FRE	O-AUS	O-NZL	O-SIN	O-HNG	L-AG	IRL	DEN	SWE	NOR	SUI	AUT	HOL	ITA	ESP	Spare	ON		
2	MONITOR CONT.	ON/OFF	USA	LTA	GBR	GER	FRE	AUS	NZL	SIN	HNG	USA	IRL	DEN	SWE	NOR	SUI	AUT	HOL	ITA	ESP	USA	INT'L		
3	COUNTRY CODE	ON/OFF	*USA INT'L GBR IRL NOR SWE FIN DEN GER HUN TCH POL SUI AUT BEL HOL FRE POR ESP ITA GRE AUS NZL SIN HNG.LTAMEX.*																						
4	TIME DATE PRINT	ON/OFF	OFF	OFF	OFF	ALL	OFF	OFF	ALL	ONCE	OFF	OFF	OFF	ONCE	ONCE	OFF	ALL	ALL	ONCE	ALL	ONCE	OFF	ONCE		
5	TSI PRINT	ON/OFF	ON	ON	ON	ON	ON	ON	ON	ON	ON	ON	ON	ON	ON	ON	ON	ON	ON	ON	ON	ON	ON		
6	TAD MODE	0:OFF / 1:TYPE1 / 2:TYPE2 / 3:TYPE3	TYPE2	TYPE2	OFF	TYPE1	OFF	TYPE1	TYPE1	OFF	OFF	TYPE2	OFF	TYPE2	TYPE2	OFF	TYPE1	TYPE1	TYPE1	OFF	TYPE2	TYPE2	OFF		
7	REAL TIME DIAL	0:OFF / 1:TYPE1 / 2:TYPE2	TYPE2	TYPE2	TYPE2	TYPE2	TYPE2	TYPE2	TYPE2	TYPE2	TYPE2	TYPE2	TYPE2	TYPE2	TYPE2	TYPE2	TYPE2	TYPE2	TYPE2	TYPE2	TYPE2	TYPE2	TYPE2	By PTT Parameter	
8	TEL/FAX SWITCH	ON/OFF	ON	ON	ON	ON	ON	ON	ON	ON	ON	ON	ON	ON	ON	ON	ON	ON	ON	ON	ON	ON	ON		
9	MDY / DMY	0:MDY / 1:DMY	MDY	MDY	DMY	DMY	DMY	DMY	DMY	DMY	DMY	MDY	DMY	MDY	MDY	DMY	DMY	DMY	DMY	DMY	DMY	MDY	MDY		
10	LONG DOC. SCAN	ON/OFF	OFF	OFF	OFF	ON	OFF	OFF	OFF	OFF	OFF	OFF	OFF	OFF	OFF	OFF	OFF	OFF	OFF	OFF	OFF	OFF	OFF		
11	TO NE FOR ECHO	ON/OFF	OFF	OFF	OFF	OFF	OFF	OFF	OFF	OFF	OFF	OFF	OFF	OFF	OFF	OFF	OFF	OFF	OFF	OFF	OFF	OFF	OFF		
12	MH ONLY	ON/OFF	OFF	OFF	OFF	OFF	OFF	OFF	OFF	OFF	OFF	OFF	OFF	OFF	OFF	OFF	OFF	OFF	OFF	OFF	OFF	OFF	OFF		
13	HIN/DEM RATE	33600/28800/14400/9600/4800 BPS	33600	33600	33600	33600	33600	33600	33600	33600	33600	33600	33600	33600	33600	33600	33600	33600	33600	33600	33600	33600	33600		
14	T1(TX) TIMER VALUE	010 - 255 sec	59	59	60	60	140	30	40	60	30	59	60	60	60	60	60	60	60	60	40	45	59	By PTT Parameter	
15	T1(RX) TIMER VALUE	010 - 255 sec	35	35	35	35	35	35	35	35	35	35	35	35	35	35	35	35	35	35	35	35	35		
16	T2 TIMER *100MS	001 - 255 (100ms - 25.5sec)	130	130	130	60	51	130	130	130	130	130	130	130	130	130	60	60	130	130	51	130	130	Base Timer = 100ms	
17	DIS BIT32	ON/OFF	ON	ON	ON	ON	ON	ON	ON	ON	ON	ON	ON	ON	ON	ON	ON	ON	ON	ON	ON	ON	ON		
18	ERROR CRITERION	0 - 99	10	10	10	10	10	10	10	10	10	10	10	10	10	10	10	10	10	10	10	10	10		
19	OFF HOOK BYPASS	ON/OFF	OFF	OFF	OFF	OFF	OFF	OFF	OFF	OFF	OFF	OFF	OFF	OFF	OFF	OFF	OFF	OFF	OFF	OFF	OFF	OFF	OFF		
20	NL-EQUALIZER	0DB / 4DB / 8DB / 12DB	0DB	0DB	0DB	0DB	0DB	0DB	0DB	0DB	0DB	0DB	0DB	0DB	0DB	0DB	0DB	0DB	0DB	0DB	0DB	0DB	0DB		
21	ATTENUATOR	0 - 15 dB	10dB	10dB	11dB	9dB	10dB	11dB	11dB	11dB	11dB	10dB	11dB	11dB	11dB	11dB	9dB	9dB	11dB	11dB	11dB	11dB	10dB		
22	T/F TONE ATT.	0 - 15 dB	10dB	10dB	9dB	7dB	11dB	9dB	9dB	9dB	9dB	10dB	9dB	10dB	9dB	9dB	7dB	7dB	10dB	12dB	10dB	10dB	10dB		
23	MF ATT.	0 - 15 dB	3dB	8dB	6dB	8dB	4dB	5dB	6dB	5dB	8dB	3dB	5dB	8dB	5dB	8dB	4dB	4dB	8dB	4dB	5dB	3dB	8dB		
24	RING DURA. *10MS	10 - 99 (*10ms)	12	12	14	14	60	12	14	14	14	12	14	12	14	14	14	11	14	14	14	14	10	12	
25	CML TIMING *100MS	1 - 19 (*100ms)	3	3	3	3	15	3	12	12	12	3	3	3	1	3	3	3	11	3	3	3	3		
26	LEAD HEAD STROBE	00000 - 11111	10100	10100	10100	10100	10100	10100	10100	10100	10100	10100	10100	10100	10100	10100	10100	10100	10100	10100	10100	10100	10100		
27	MEDIA TYPE	M / MH / H	M	M	M	M	M	M	M	M	M	M	M	M	M	M	M	M	M	M	M	M	M		
28	TR LATCH CURRENT	-2 / -1 / 0 / +1 / +2	0	0	0	0	0	0	0	0	0	0	0	0	0	0	0	0	0	0	0	0	0		
29	V34 TX RETRY	ON/OFF	ON	ON	ON	ON	ON	ON	ON	ON	ON	ON	ON	ON	ON	ON	ON	ON	ON	ON	ON	ON	ON		
30	SYMBOL RATE	2.8K / 3.0K / 3.2K / 3.4K	3.4K	3.4K	3.4K	3.4K	3.4K	3.4K	3.4K	3.4K	3.4K	3.4K	3.4K	3.4K	3.4K	3.4K	3.4K	3.4K	3.4K	3.4K	3.4K	3.4K	3.4K		
31	NSF SWITCH	ON/OFF	ON	ON	ON	ON	ON	ON	ON	ON	ON	ON	ON	ON	ON	ON	ON	ON	ON	ON	ON	ON	ON		
32	ID/TSI PRIORITY	ID / TSI	ID	ID	ID	TSI	ID	ID	ID	ID	ID	ID	ID	ID	ID	ID	ID	TSI	TSI	ID	ID	ID	ID		
33	TONER COUNT CLEAR	ON/OFF	OFF	OFF	OFF	OFF	OFF	OFF	OFF	OFF	OFF	OFF	OFF	OFF	OFF	OFF	OFF	OFF	OFF	OFF	OFF	OFF	OFF		
34	PARALLEL PICK UP	ON/OFF	ON	ON	ON	ON	ON	ON	ON	ON	ON	ON	ON	ON	ON	ON	ON	ON	ON	ON	ON	ON	ON		
35	PRINT PRIORITY	ON/OFF	OFF	OFF	OFF	OFF	OFF	OFF	OFF	OFF	OFF	OFF	OFF	OFF	OFF	OFF	OFF	OFF	OFF	OFF	OFF	OFF	OFF		
36	JBIG FACILITY	ON/OFF	ON	ON	ON	ON	ON	ON	ON	ON	ON	ON	ON	ON	ON	ON	ON	ON	ON	ON	ON	ON	ON	Only FX-176	
37	LLC CHECK	ON/OFF	OFF	OFF	OFF	OFF	OFF	OFF	OFF	OFF	OFF	OFF	OFF	OFF	OFF	OFF	OFF	OFF	OFF	OFF	OFF	OFF	OFF		

E-XXX-0EL-XXX, CO-XXX-0KI-XXX, CL-XXX-LANIER-XXX

2.9.8

Default Setting of Dial Parameters

No.	User Setting Items	Setting Selection	COUNTRY CODE													
			1 USA	2 INT'L	3 GBR	4 IRL	5 NOR	6 SWE	7 FIN	8 DEN	9 GER	10 HUN	11 TCH	12 POL	13 SUI	14 AUT
40	REDIAL TRIES	0 - 10 TRIES	1	3	2	2	5	10	10	10	10	10	2	10	10	10
41	REDIAL INTERVAL	1 - 6 min	3	3	3	3	3	2	3	3	3	1	3	3	1	1
42	AUTO START	ON/OFF	ON	OFF	OFF	OFF	ON	ON	ON	ON	ON	ON	OFF	OFF	ON	ON
43	DIAL TONE DETECT	ON/OFF	OFF	ON	ON	ON	ON	ON	ON	ON	ON	ON	ON	ON	ON	ON
44	BUSY TONE DETECT	ON/OFF	ON	ON	ON	ON	ON	ON	ON	ON	ON	ON	ON	ON	ON	ON
45	MF/DP	DP/MF	MF	MF	MF	MF	MF	MF	MF	MF	MF	MF	MF	MF	MF	DP
46	PULSE DIAL RATE	10 PPS / 16 PPS / 20 PPS	10	10	10	10	10	10	10	10	10	10	10	10	10	10
47	PULSE WAKE RATIO	33 % / 39 % / 40%	39%	33%	33%	33%	33%	33%	39%	40%	40%	39%	39%	33%	40%	40%
48	PULSE DIAL TYPE	N / 10-N / N+1	N	N	N	N	N	N	N	N	N	N	N	N	N	N
49	MF(TONE) DURATION	75 ms / 85 ms / 100 ms	100	85	85	85	85	75	85	85	100	100	100	100	85	85
50	PBX LINE	ON/OFF	OFF	OFF	OFF	OFF	OFF	OFF	OFF	OFF	OFF	OFF	OFF	OFF	OFF	OFF
51	FLS/EARTH/NORMAL	NORMAL / FLASH / EARTH	N	N	N	N	N	N	N	N	N	N	N	N	N	FLASH
52	DIAL PREFIX	OFF / (max. 4digits)	OFF	OFF	OFF	OFF	OFF	OFF	OFF	OFF	OFF	OFF	OFF	OFF	OFF	0...
		XPARA3[0]	fc	e4	24	24	e0	e0	e0	e4	e4	ec	e4	e4	ec	ec
		XPARA3[1]	28	28	28	28	28	38	28	28	28	28	28	28	28	38

Note: User setting are possible for items without mesh.

No.	User Setting Items	Setting Selection	COUNTRY CODE													
			15 BEL	16 HOL	17 FRA	18 POR	19 ESP	20 ITA	21 GRE	22 AUS	23 NZL	24 SIN	25 HNG	26 LTA	27 MEX	
40	REDIAL TRIES	0 - 10 TRIES	3	2	2	2	2	2	2	2	2	2	2	2	2	3
41	REDIAL INTERVAL	1 - 6 min	3	3	6	3	3	3	3	3	3	3	3	3	3	3
42	AUTO START	ON/OFF	OFF	OFF	OFF	ON	ON	ON	ON	ON	ON	ON	ON	ON	ON	ON
43	DIAL TONE DETECT	ON/OFF	ON	ON	ON	OFF	OFF	OFF	ON	ON	ON	ON	ON	ON	ON	OFF
44	BUSY TONE DETECT	ON/OFF	ON	ON	ON	ON	ON	ON	ON	ON	ON	ON	ON	ON	ON	ON
45	MF/DP	DP/MF	MF	MF	MF	DP	DP	MF	MF	MF	MF	MF	MF	MF	MF	MF
46	PULSE DIAL RATE	10 PPS / 16 PPS / 20 PPS	10	10	10	10	10	10	10	10	10	10	10	10	10	10
47	PULSE WAKE RATIO	33 % / 39 % / 40%	33%	39%	33%	33%	33%	33%	39%	39%	39%	33%	33%	39%	39%	39%
48	PULSE DIAL TYPE	N / 10-N / N+1	N	N	N	N	N	N	N	N	N	N	N	N	N	N
49	MF(TONE) DURATION	75 ms / 85 ms / 100 ms	85	100	75	85	85	85	85	85	100	100	85	85	100	100
50	PBX LINE	ON/OFF	OFF	OFF	OFF	OFF	OFF	OFF	OFF	OFF	OFF	OFF	OFF	OFF	OFF	OFF
51	FLS/EARTH/NORMAL	NORMAL / FLASH / EARTH	N	N	FLASH	N	N	N	N	N	N	N	N	N	N	N
52	DIAL PREFIX	OFF / (max. 4digits)	OFF	OFF	OFF	OFF	OFF	OFF	OFF	OFF	OFF	OFF	OFF	OFF	OFF	OFF
		XPARA3[0]	64	e0	3c	24	24	24	e4	24	24	24	24	fc	fc	fc
		XPARA3[1]	28	28	38	28	28	28	38	28	28	28	28	28	28	28

Note: User setting are possible for items without mesh.

2.9.9 Off-line Tests

(1) Purpose

Activate self-diagnosis which includes:

1) Main board

- CPU ROM version printing
- CPU RAM check
- PROG version printing
- LANGUAGE version printing
- DEFAULT version printing
- MODEM version printing
- RAM check
- RAM check (optional memory board)

2) ISDN board

- CPU ROM version printing
- CPU RAM check
- PROG version printing
- RAM check
- DPRAM check

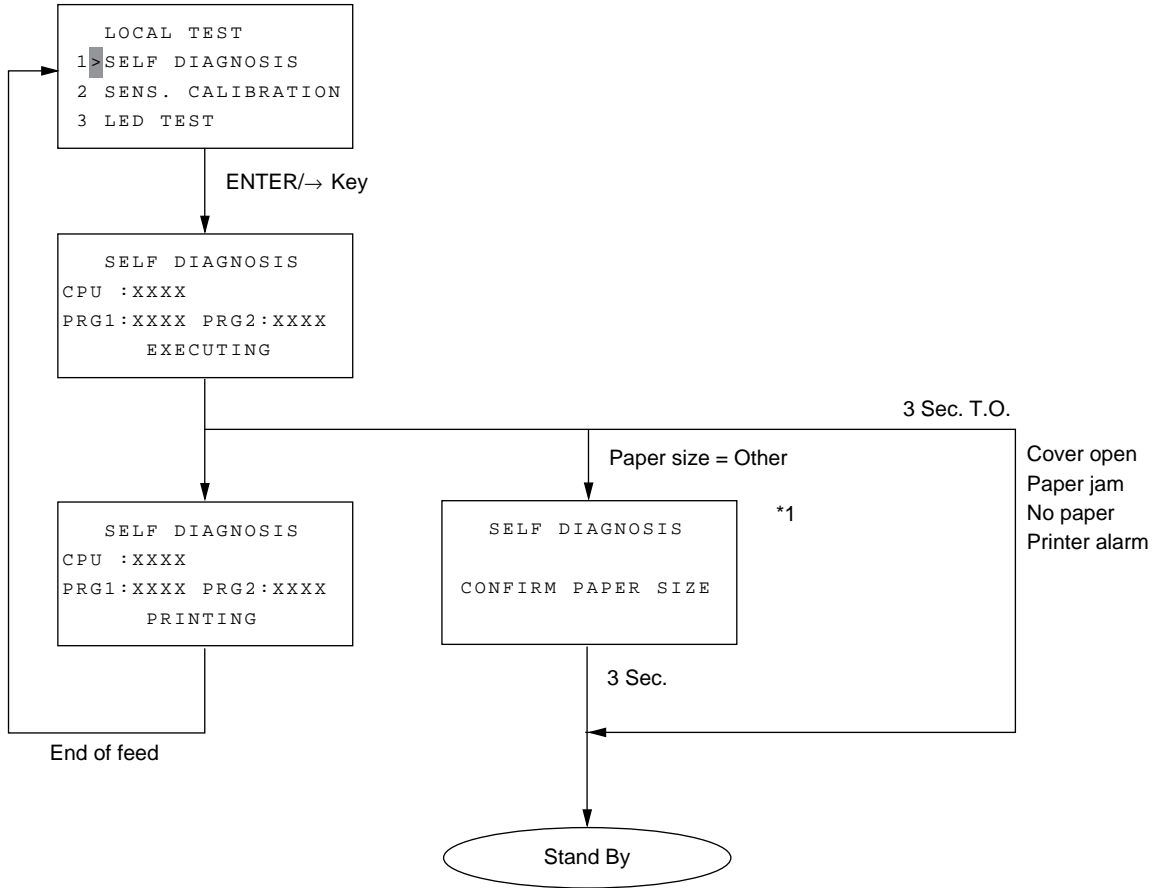
3) Printing function

(2) Operations:

1. The machine is standby state with no document.
2. Press the MENU/EXIT key once.
3. Press the RESOLUTION key twice.
The display will be shown the "TECHNICAL PRG.".
4. Press the ENTER/SHIFT RIGHT (⊘) key.
The display will be shown the "LOCAL TEST".
5. Press the ENTER/SHIFT RIGHT (⊘) key.
The display will be shown the "SELF DIAGNOSIS".

2.9.9.1 Self Diagnosis Flow

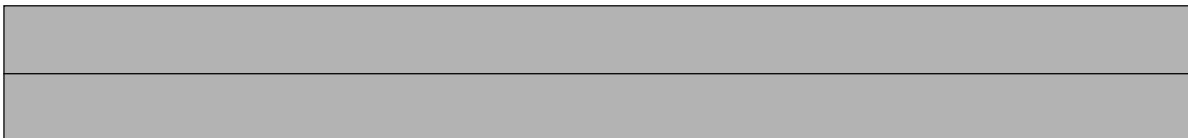
To check ROMs, RAMs and printing function.
Test report will be automatically printed out.



*1: OTHER is shown as below:
EXEC./JIS-B5/A5/A6

SELF DIAGNOSIS REPORT

12/24/1998 12:00
ID=0dc Takasaki



MAINBOARD

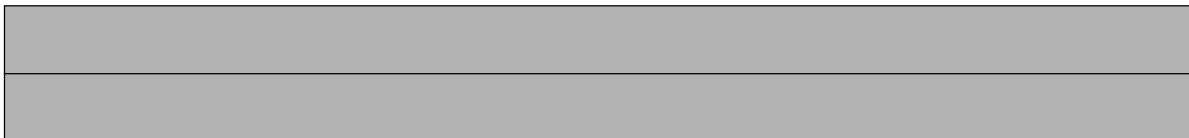
CPU-ROM	VERSION	aaaa		* 1
	HASH	OK	hhhh	* 1
CPU-RAM		OK		
PROGRAM1	VERSION	aaaa		
	HASH	OK	hhhh	
PROGRAM2	VERSION	aaaa		
	HASH	OK	hhhh	
LANGUAGE	VERSION	aaaa		
	HASH	OK	hhhh	
DEFAULT	VERSION	aaaa		
	HASH	OK	hhhh	
DEFAULT	TYPE	01		
MODEM	VERSION	hhhh		* 1
RAM1	8M	OK		
RAM2		OK		
CARTRIDGE		bbbb		* 1 / * 4
OPT-MEM	2M	OK		* 2
DEVICE ID	Okifax 5700			* 2 / * 3
HSP		OK		* 2 / * 5
ISDNBOARD		OK		* 2 / * 6

CPU-ROM	VERSION	aaaa		
	HASH	OK	hhhh	
CPU-RAM		OK		
PROGRAM	VERSION	aaaa		
	HASH	OK	hhhh	
RAM	2M	OK		
DPRAM	2K	OK		



SELF DIAGNOSIS REPORT

12/24/1998 12:00
ID=0dc Takasaki



MAINBOARD

CPU-ROM	VERSION	aaaa		* 1
	HASH	CK	hhhh	* 1
CPU-RAM		CK		
PROGRAM1	VERSION	aaaa		
	HASH	CK	hhhh	
PROGRAM2	VERSION	aaaa		
	HASH	CK	hhhh	
LANGUAGE	VERSION	aaaa		
	HASH	CK	hhhh	
DEFAULT	VERSION	aaaa		
	HASH	CK	hhhh	
DEFAULT	TYPE	01		
MODEM	VERSION	hhhh		* 1
RAM1	8M	CK		
RAM2		CK		
CARTRIDGE		bbbb		* 1 / * 4

DEVICE ID Okifax 5700 * 2 / * 3

ISDNBOARD CK * 2 / * 6

CPU-ROM	VERSION	aaaa		
	HASH	CK	hhhh	
CPU-RAM		CK		
PROGRAM	VERSION	aaaa		
	HASH	CK	hhhh	
RAM	2M	CK		
DPRAM	2K	CK		

Note: In case of no MEM board and no LAN board

Note:

- *1: a indicates an alphanumeric character; n indicates a numeric character (0 to 9); h indicates a hexadecimal number; and b indicates 0 or 1.
- *2: Printed when the option board is mounted and if not, entry lines following this line are not omitted.
- *3: Lowercase letters can also be listed. This item reports MDL information for the PnP device ID only.
This item can be up to 40 characters long.
- *4: This item reports toner cartridge ID information (port read value).
Entry items shown below are printed.
CARTRIDGE bbbb
- *5: For the LAN board, the status of the LAN board at self diagnosis shall be recorded. (If the LAN board is in the alarm state, the cause of the alarm is recorded.) When an HSP error occurs, entry items shown below are printed.
HSP NG nn
- *6: The result of ISDN board test, which is performed at self diagnosis, shall be printed. (Error information at power-on shall also be listed partially.)
When an ISDN error occurs, entry items shown below are printed.
ISDN board NG nn

nn=01 Waiting for PC loading
The BOOT2 signal from the host side at the time of power on is set to PC loading mode.

nn=02 Board abnormality
The ISDN board program hash is NG upon power on.

nn=03 Board abnormality
The initial sequence between boards cannot be executed in 10 seconds after power on. (The status window does not indicate a normal value.)

nn=04 Board abnormality
The initial sequence of the ISDN LSI cannot be executed upon power on.
(No response for the command, NG response)

nn=05 ISDN LSI abnormality
The result of ISDN LSI testing function is NG: (ROM/RAM test, Loop test)

2.9.10 On-line Tests

1. Transmission

- (1) Load documents
- (2) Make sure that
 - The loaded documents are fed in automatically.
 - The STD and NORMAL lamps light.
 - The display shows SELECT LOCATION(S) OR PRESS COPY.
- (3) Dial the telephone number of the remote machine by the ten-key pad.
- (4) Make sure that the telephone number of the remote machine is shown on the display.
- (5) Press the START/COPY button.
- (6) Typical message transmission flow is described in Figure 2.9.10.1.

2. Reception

- (1) Use another machine for dialing.
- (2) Make sure that
 - The display shows AUTO REC. START.
 - The message is automatically received.
- (3) Typical message reception flow is described in Figure 2.9.10.2

Typical Transmission flow

Typical Reception flow

2.10 Installation of optional units

2.10.1 Optional units

(1) Items

- Memory EXP. Board-RA1-/-2
- Board-G4A
- Board-LAN
- 2nd tray unit

(2) Procedure

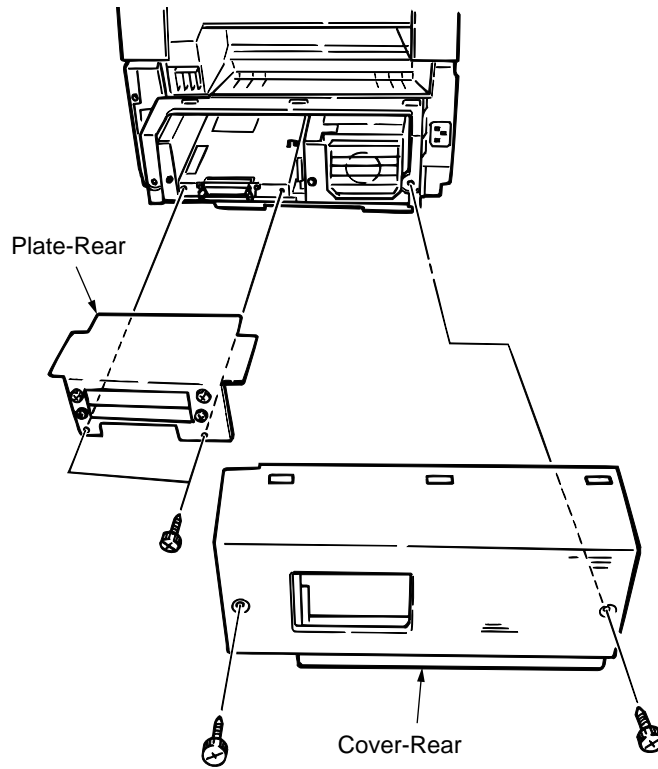
- Turn the facsimile power switch OFF and remove the AC power cord.

Note: Unplug the AC power cord from the wall outlet first and then from the facsimile.

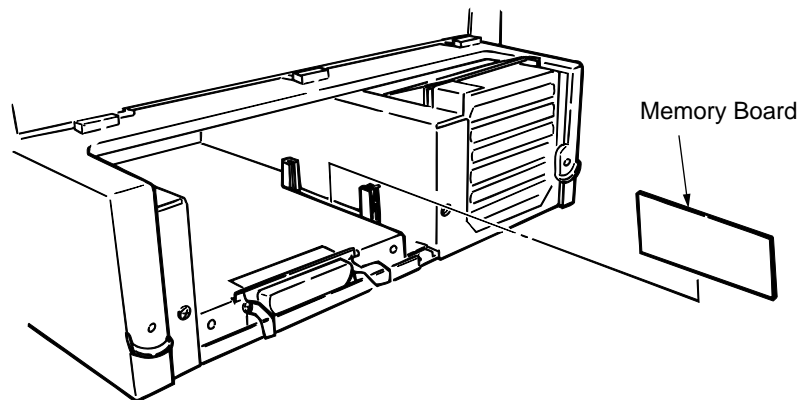
- Do not remove unnecessary parts.
- Since screws and small parts are likely to be lost, they should temporarily be attached to their original positions.

2.10.2 Memory Board Installation Instruction

1. Remove Cover-Rear, Plate-Rear



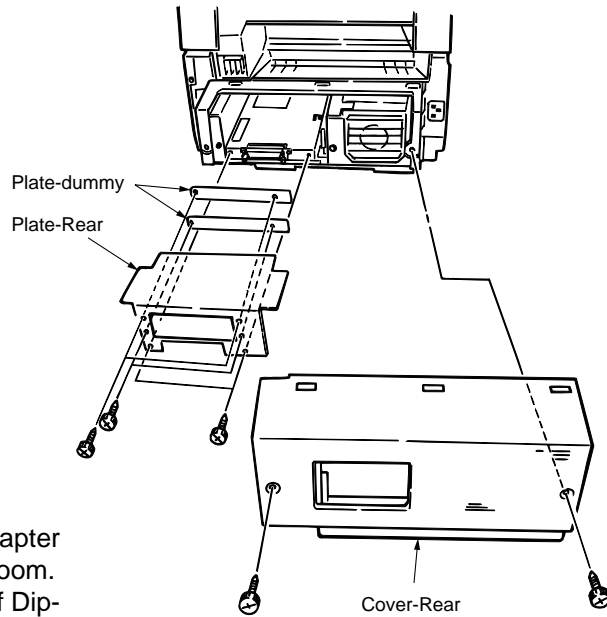
2. Connect Memory Board



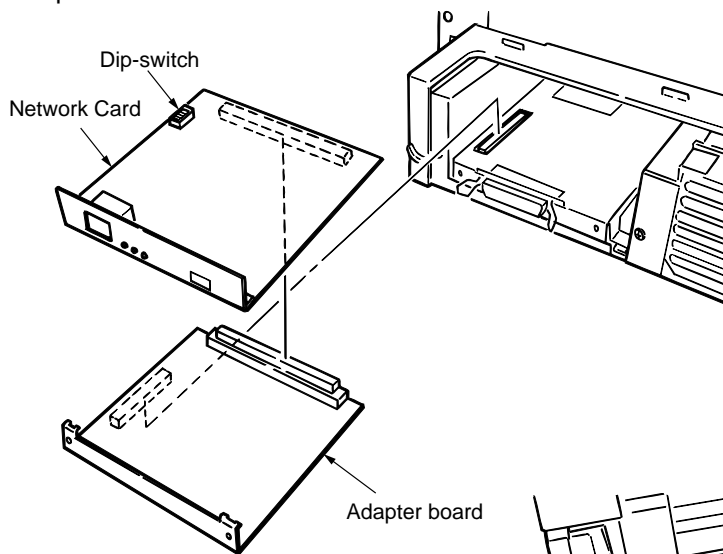
3. Attach Plate-Rear and Cover-Rear.

2.10.3 Network Card Installation Instruction

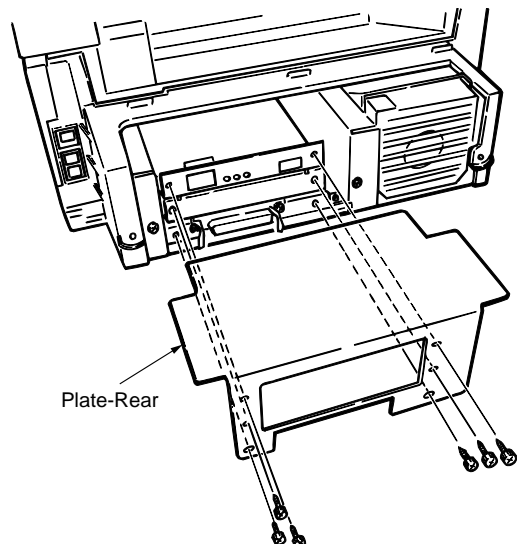
1. Remove Cover-Rear, Plate-Rear and 2 piece of Plate-dummy.



2. Connect Network card with Adapter board, then, mount it into the room. Before installation, check #1 of Dip-switch should be "ON" and #2 - #4 be "OFF". In case of G4 board application, exchange above Adapter board to G4 board.



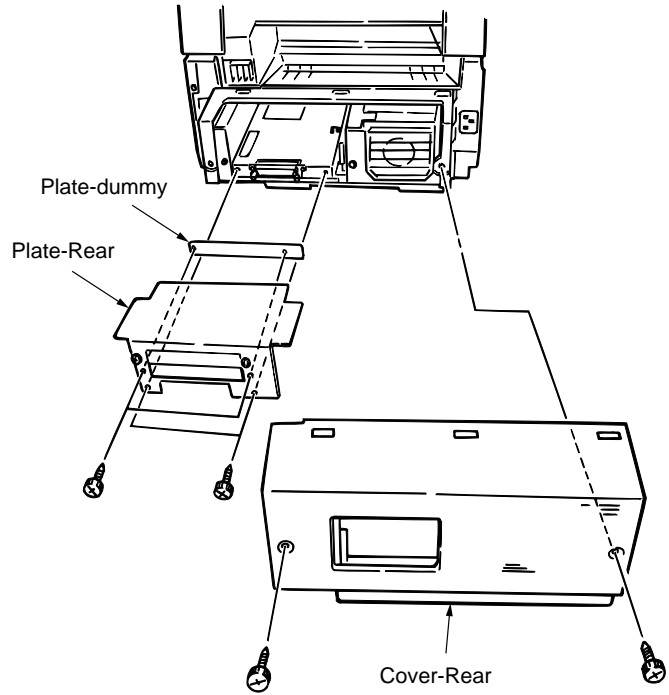
3. Attach Plate-Rear, and fix Network card, Adaptor board with 2 each screw. Then fix Plate-Rear.



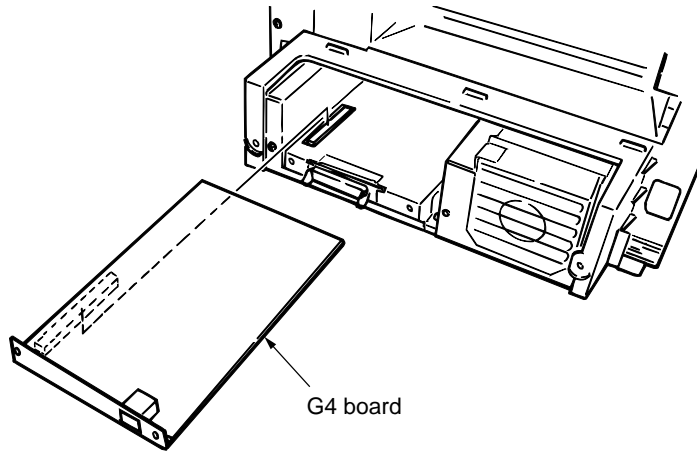
4. Attach Cover-Rear.

2.10.4 G4 Board Installation Instruction

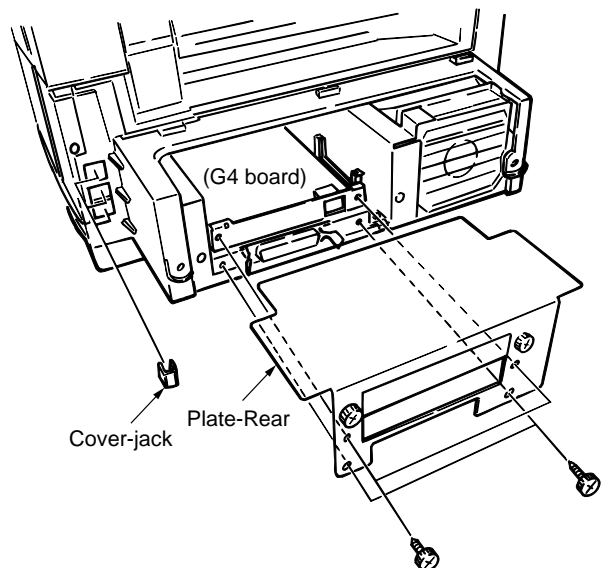
1. Remove Cover-Rear, Plate-Rear and Plate-dummy.
Caution: Remove only lower Plate-dummy.



2. Mount G4 Board.



3. Attach Plate-Rear, and fix G4 board with 2 screws, then fix Plate-Rear.



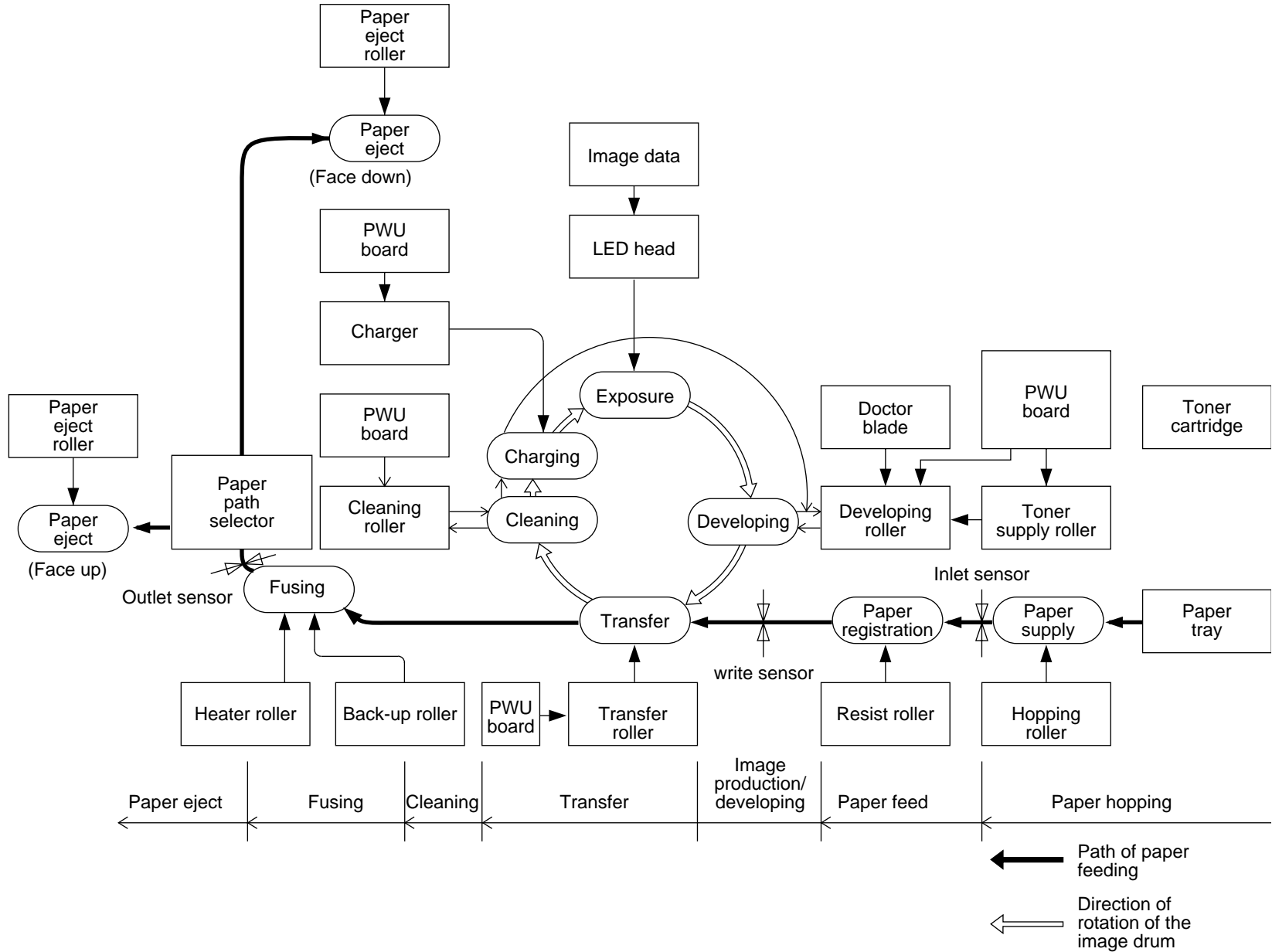
4. Attach Cover-Rear.

5. Attach three Cover-jack to the line, TEL1, TEL2 connector.

CHAPTER 3

BRIEF TECHNICAL DESCRIPTION

Electro-photographic Process Flow

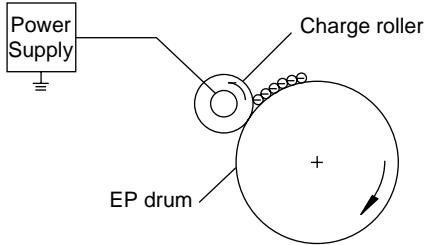
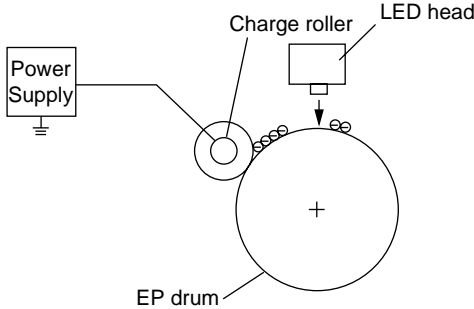
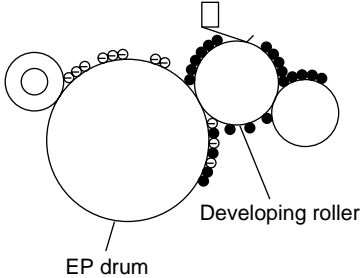


3.1 Fundamentals of the Electro-Photographic Process

The electro-photographic process involves six sub-processes:

- (1) Charging (2) Exposure (3) Development (4) Transfer (5) Fusing (6) Cleaning

Outline of each process is explained below.

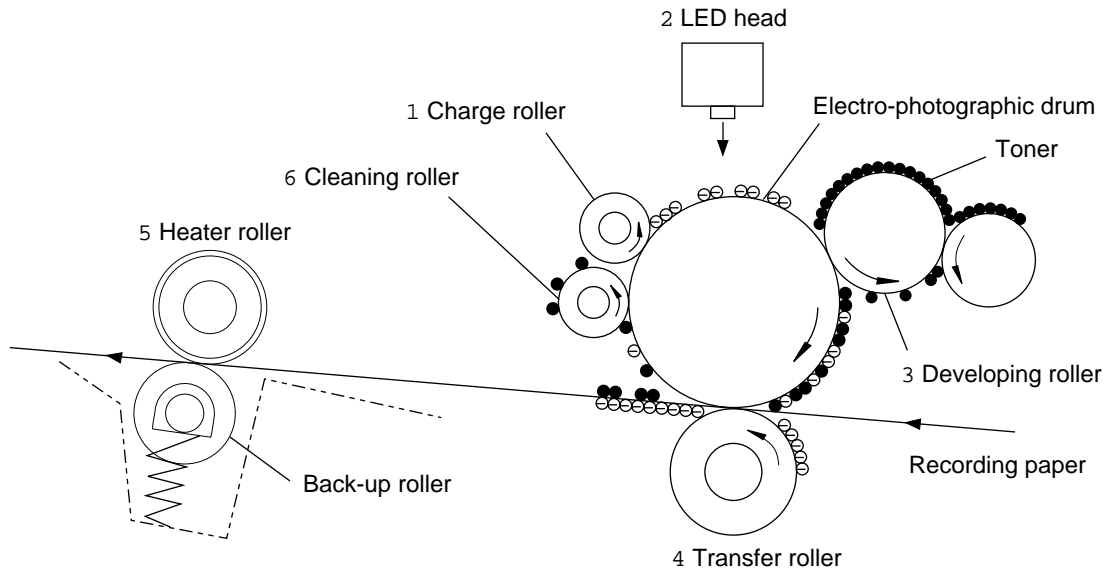
Process	Illustration	Description
<p style="text-align: center;">1</p> <p style="writing-mode: vertical-rl; transform: rotate(180deg);">Charging</p>		<p>The surface of the electro-photographic Image drum is uniformly charged with negative charges by applying a negative voltage to the charge roller.</p> <p>When the applied DC voltage exceeds a threshold value, charging of the drum begins.</p>
<p style="text-align: center;">2</p> <p style="writing-mode: vertical-rl; transform: rotate(180deg);">Exposure</p>		<p>Light emitted from the LED head irradiates the negatively charged surface.</p> <p>The potential of the irradiated part of the Image drum surface is raised, so that an electrostatic latent image associated with the print image is formed.</p>
<p style="text-align: center;">3</p> <p style="writing-mode: vertical-rl; transform: rotate(180deg);">Development</p>		<p>Toner is attracted to the exposed part (high-potential part) of the Image drum at the contact between the Image drum and the developing roller, making the electrostatic latent image visible.</p> <p>At the same time, the residual toner on the Image drum is attracted to the developing roller by static electricity.</p>

Process	Illustration	Description
<p style="text-align: center;">4</p> <p style="writing-mode: vertical-rl; transform: rotate(180deg);">Transfer</p>		<p>The recording paper is placed over the Image drum surface and a positive charge, opposite in polarity to the toner, is applied to the reverse side of the paper from the transfer roller. The toner is attracted by the positive charge and is transferred to the paper. The toner charged negative that is attracted to the Image drum surface is transferred to the upper side of the recording paper by the positive charge on the lower side of the paper.</p>
<p style="text-align: center;">5</p> <p style="writing-mode: vertical-rl; transform: rotate(180deg);">Fusing</p>		<p>The unfused toner image is fused on the paper under heat and pressure as it passes between the heater roller and the back-up roller.</p>
<p style="text-align: center;">6</p> <p style="writing-mode: vertical-rl; transform: rotate(180deg);">Cleaning</p>		<p>Residual toner on the Image drum is attracted to the cleaning roller temporarily by static electricity on the Image drum surface.</p>

3.2 Actual Electro-photographic Process

The electro-photographic process consists of six essential processes.

The following Figure 3.2.1 provides a general description.



* Process:

- 1 : Charging
- 2 : Exposure
- 3 : Developing
- 4 : Transfer
- 5 : Fusing
- 6 : Cleaning

Figure 3.2.1 Actual EP Process

3.3 Boards and Units

The following boards and units constitute the facsimile transceiver machine.

Standard

- MCNT (Main control board) R76- (OKIFAX 5900)
R76-2 (OKIFAX 5700)
- V.34 Modem C34/H34-
- NCU (Network Control Unit) UNC- (USA/Canada)
WN5- (INT'L)
DN5- (GER)
FN5- (UK/France)
- Operation panel assembly unit P76- (Main), P77- (One-touch)
- High Voltage Power Unit H10
- Toner Lock Board TLK-
- Low Voltage Power Unit MPW2520 (120V)
MPW2420 (230V)

Option

- Optional Memory RA- (2M byte)
RA-2 (4M byte)
- G4 board G4A-
- Adaptor board for NIC DM1-
- NIC (Network Interface Card)

3.4 Overall Dimension and Mechanical Structure of OKIFAX 5700/5900

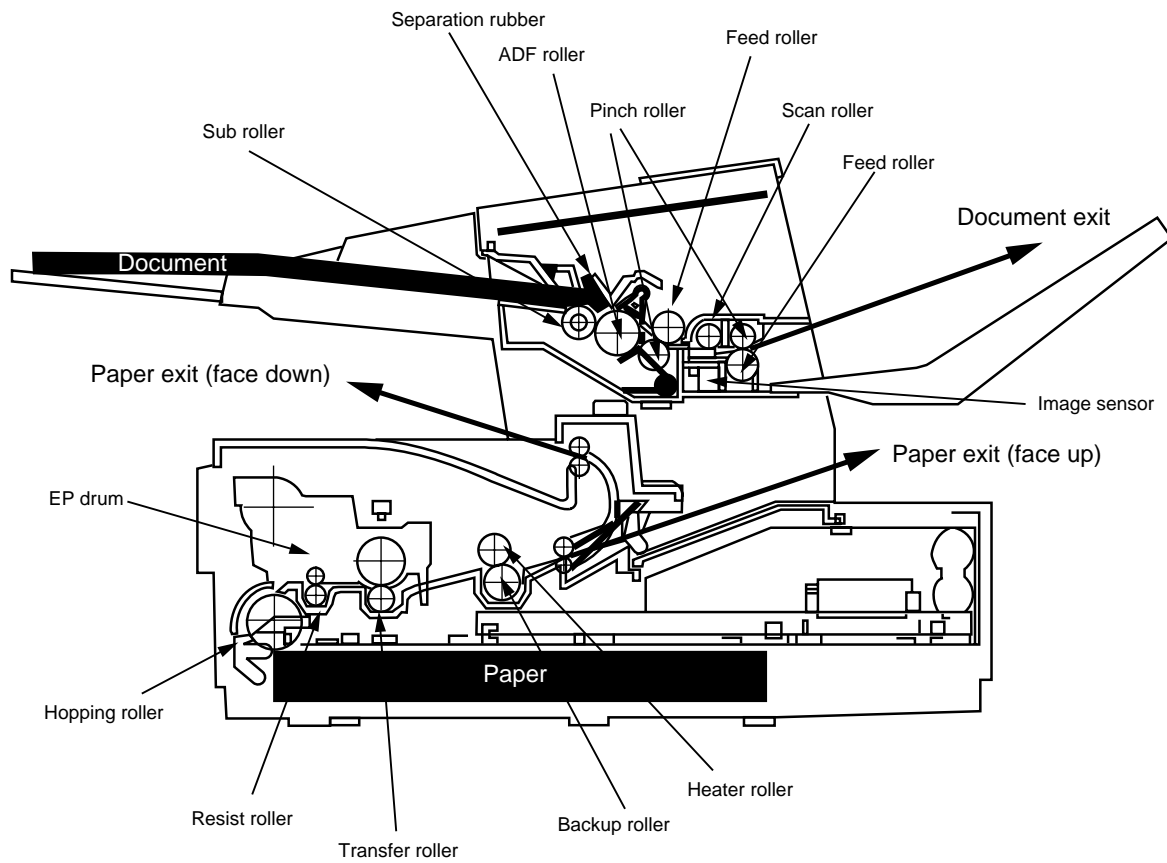


Fig. 3.4.1-1 Overall Dimension and Mechanical Structure 1/2

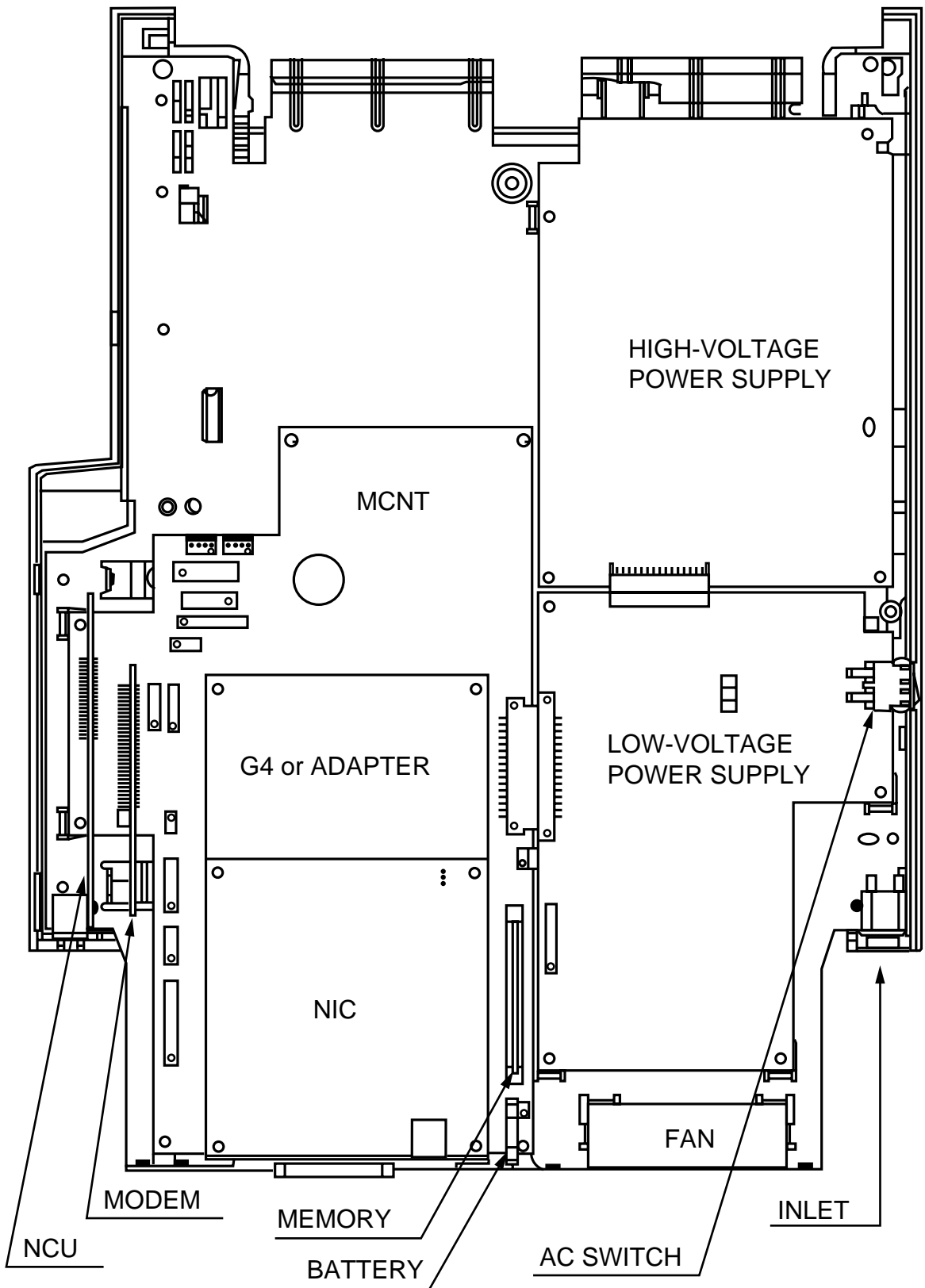


Fig. 3.4.1-1 Overall Dimension and Mechanical Structure 2/2

CHAPTER 4

MECHANICAL DISASSEMBLY AND
REASSEMBLY

4. General

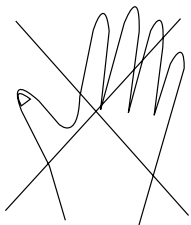
The section explains the procedures for replacement of parts, assemblies, and units in the field. Only the disassembly procedures are explained here. For reassembly, reverse the disassembly procedure.

4.1 Precautions for Parts Replacement

DANGER

Do Not Touch !

HIGH VOLTAGE



You may be subjected to high-voltage electric shock by touching the following parts without an insulating material:

- a. High-voltage unit PC board
- b. Low-voltage PC board
- c. Contact ass'y
- d. Power supply unit

* The high voltage risk may continue for about 3 days after power-off.
* Never touch the power supply unit pattern.

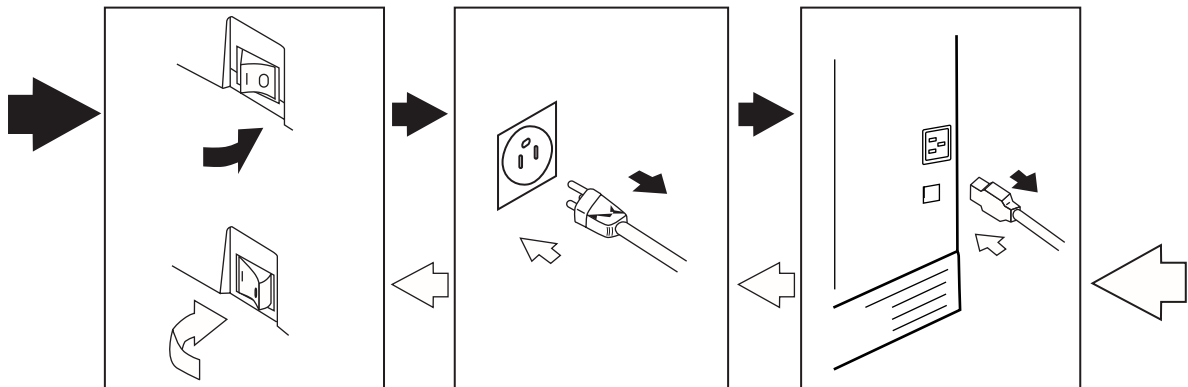
(1) Before starting to replace parts, remove the AC cord.

(a) Remove the AC cord in the following sequence:

1. Turn off ("o") the power switch of the machine.
2. Disconnect the AC inlet plug of the AC cord from the AC receptacle.
3. Disconnect the line cable from the machine.

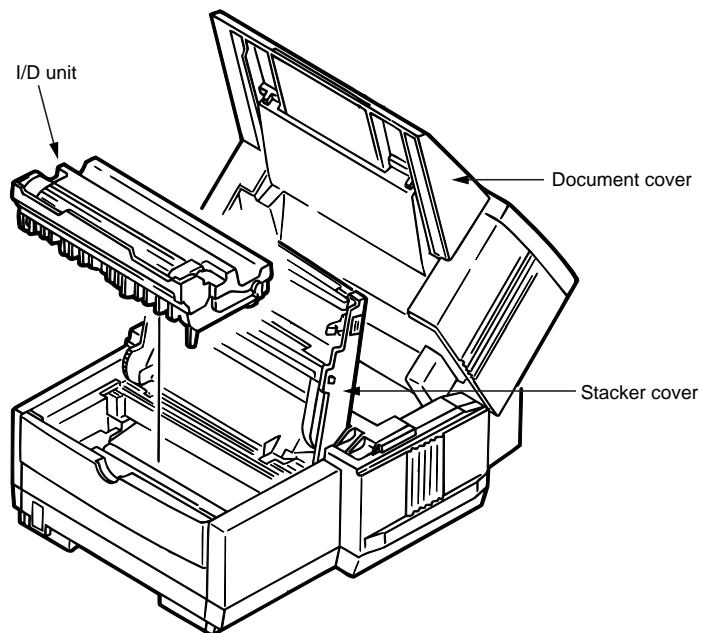
(b) Reconnect the machine in the following procedure:

1. Connect the AC cord and line cable to the machine.
2. Connect the AC inlet plug to the AC receptacle.
3. Turn on ("I") the power switch of the machine.



- (2) Do not disassembly the printer as long as it is operating normally.
- (3) Do not remove parts which do not have to be touched; try to keep the disassembly to a minimum.
- (4) Use specified service tools.
- (5) When disassembling, follow the laid out sequences. Parts may be damaged if these sequences are not followed.
- (6) Since screws, collars and other small parts are likely to be lost, they should temporarily be attached to the original positions during disassembly.
- (7) When handling IC's such as microprocessors, ROMs and RAMs, do not wear gloves that are likely to generate static electricity.
- (8) Do not place printed circuit boards directly on the equipment or floor.
- (9) Remove the I/D unit (image drum unit).

- Open the document cover and stacker cover, then remove the I/D unit.

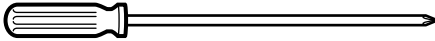
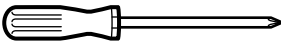
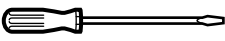

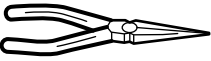




Caution: Do not expose the I/D unit to direct sunlight. To protect the I/D unit against room lights, cover it with A4-size paper or the like.

Board or Part	Adjustment
(a) NCU board	DIP switches to be placed in the same position as on the removed board. Refer to Chapter 8.
(b) LED print head	When the rank marking of the replaced LED print head (new part) is the same as that of the used LED print head (old part), you do not always have to set the LED print head strobe time by the technical function (Refer to chapter 5).

4.2 Tools

Table 4.1 shows the tools required for the replacement of parts such as circuit boards and mechanical units.

No.	Service tools	Q'ty	Remarks
1		1	
2		1	
3		1	
4		1	
5		1	
6		1	
7		1	Short-ciucuit test

4.3 How to Disassemble and Reassemble

This section explains how to disassemble and reassemble the fax.

- Figure 4.1 shows the disassembly procedure flow as generalization.
- The detailed disassembly procedure is explained from sub-section 4.3.1 to 4.3.28.

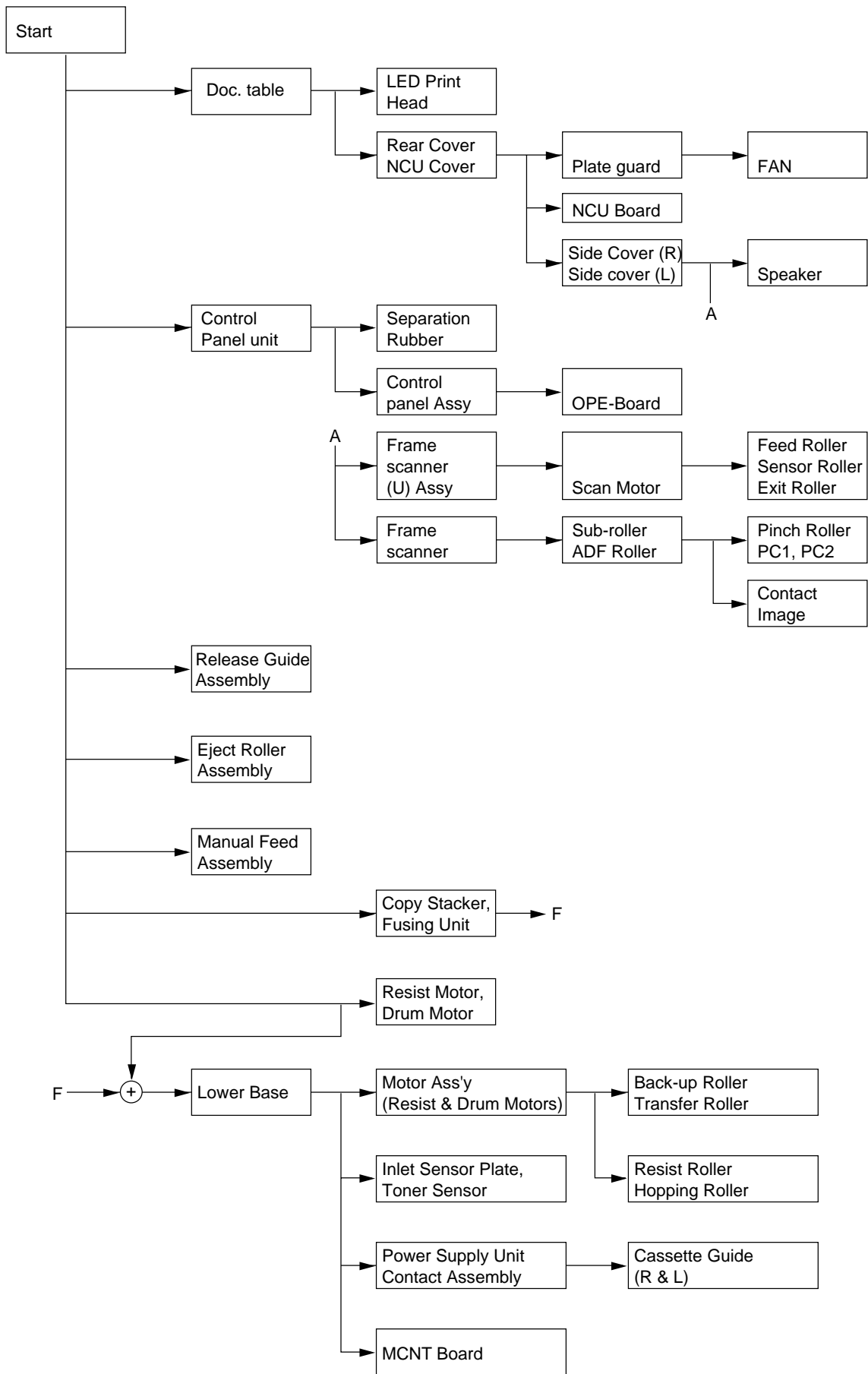
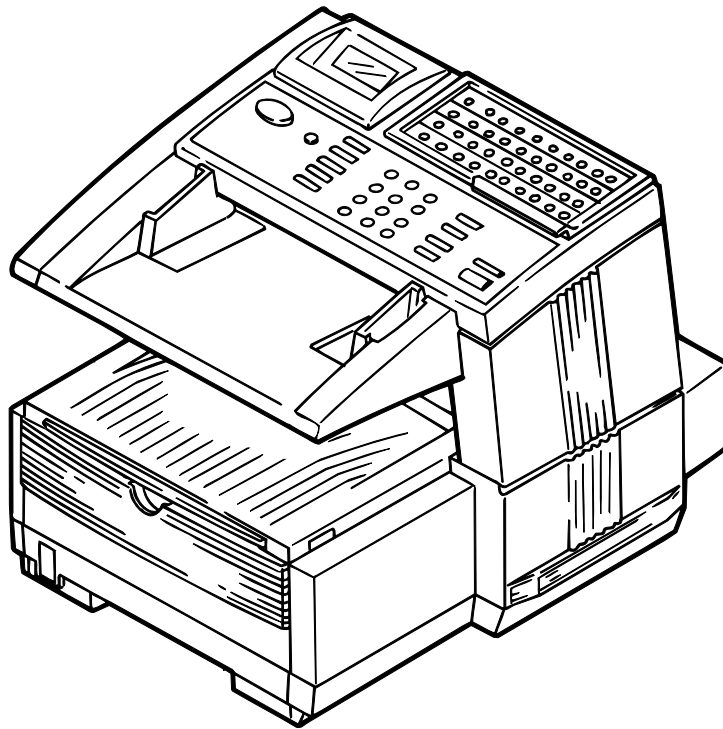


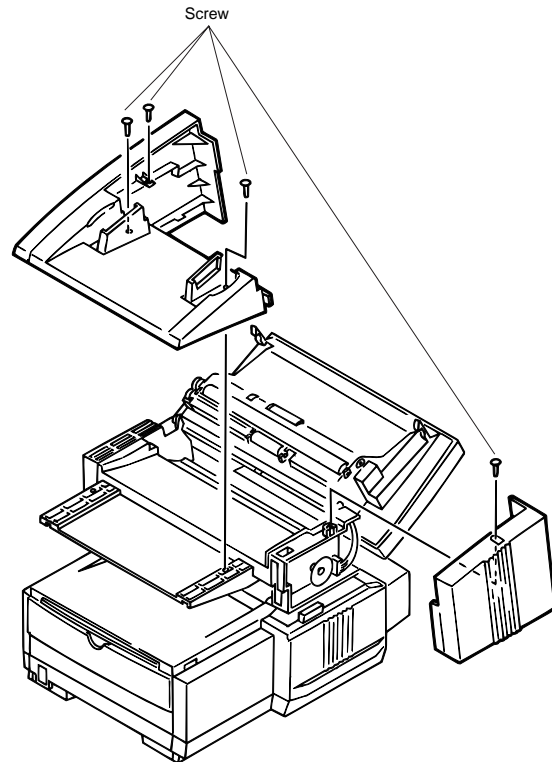
Fig. 4.1 OKIFAX 5700/5900 Disassembly Procedure Flow

Appearance of the OKIFAX 5700/5900



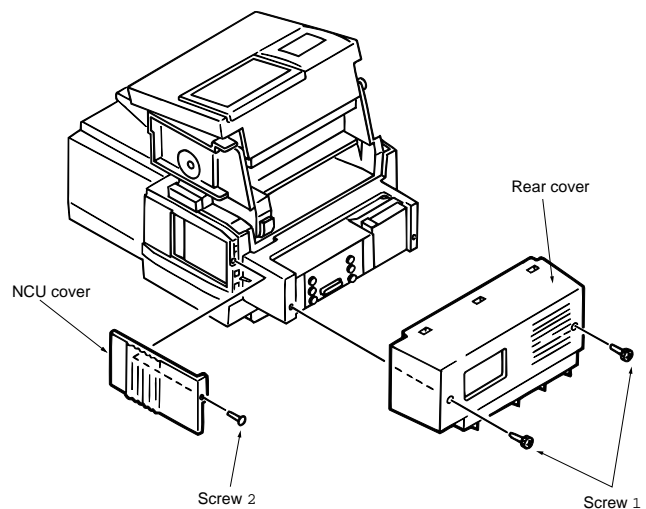
4.3.1 Document Table Cover

1. Open the operation panel.
2. Remove the cover by unscrewing four screws.



4.3.2 Rear Cover and NCU Cover

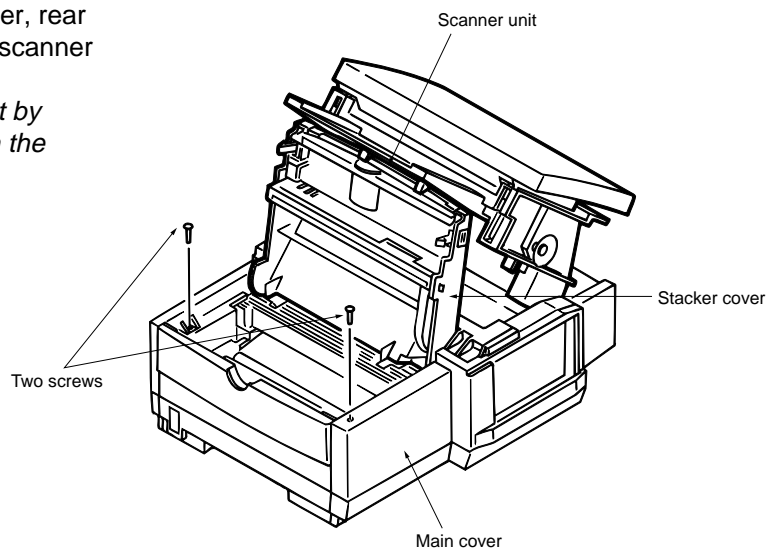
1. Unscrew two screws (1).
2. Slide the rear cover up slightly and pull it forward for removal.
3. Remove the NCU cover by unscrewing one screw (2).



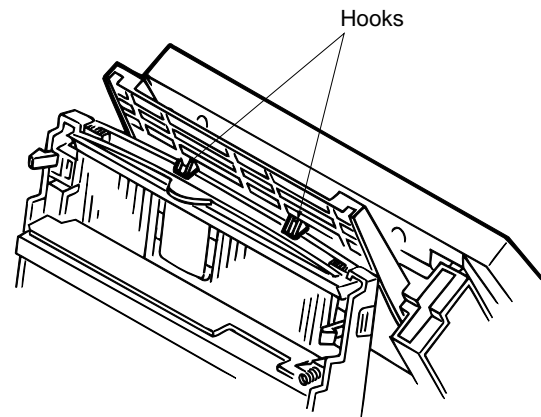
4.3.3 Main Cover

1. After removing the document cover, rear cover, and NCU cover, open the scanner unit and stacker cover.

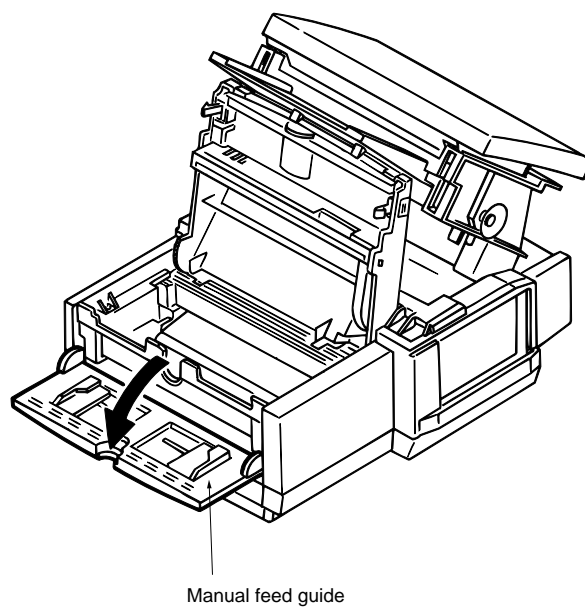
Caution: Secure the scanner unit by engaging its hooks with the stacker cover.



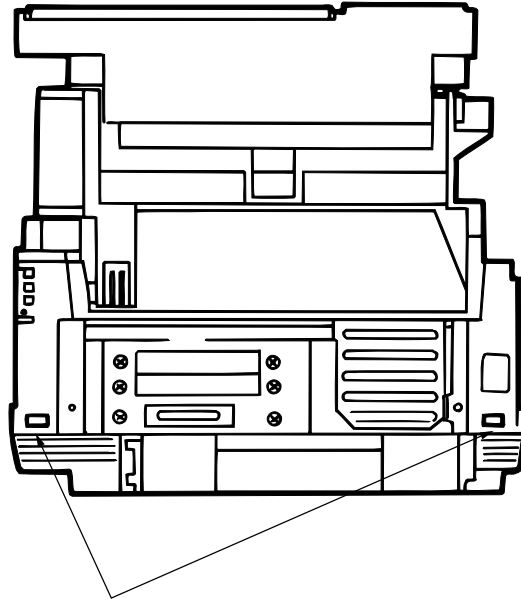
2. Unscrew two screws.



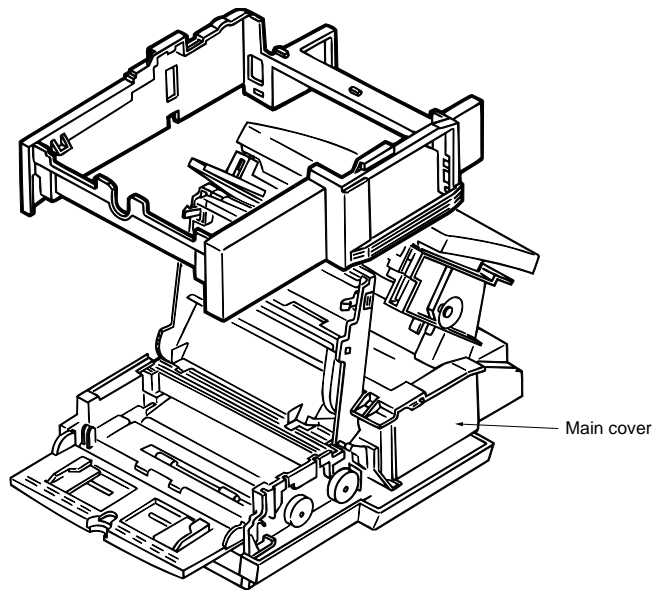
3. Open the manual feed guide.



4. First, disengage the two hooks at the back. Next, remove the main cover with it lifted.

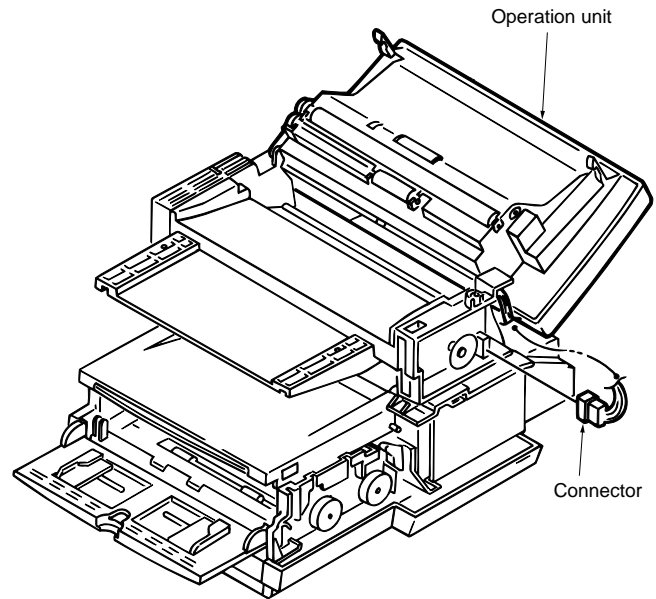


Two hooks

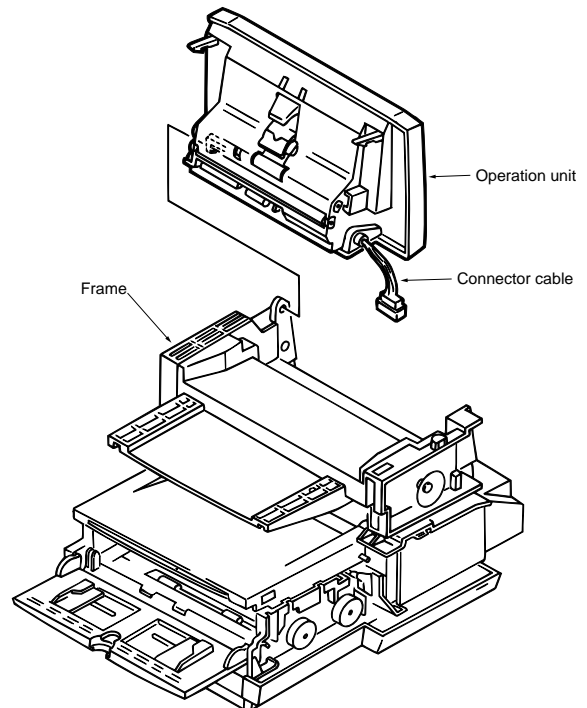


4.3.4 Operation Unit

1. Disconnect the connector.



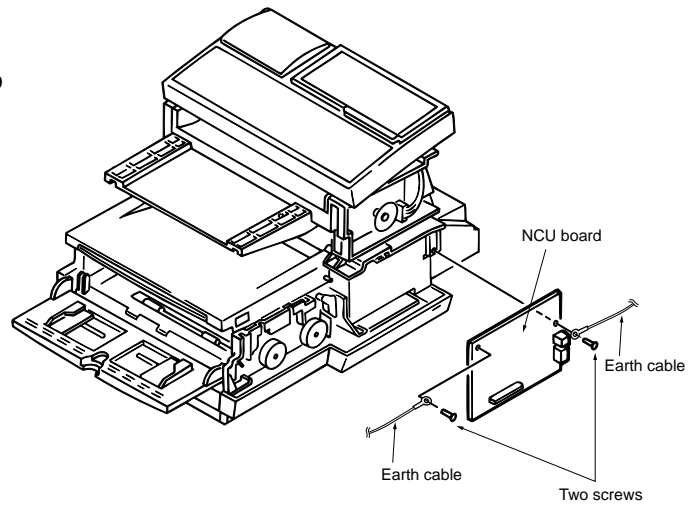
2. Open the operation unit and slide it leftward for removal.
Caution: Pull out the connector cable from the frame.



4.3.5 NCU Board

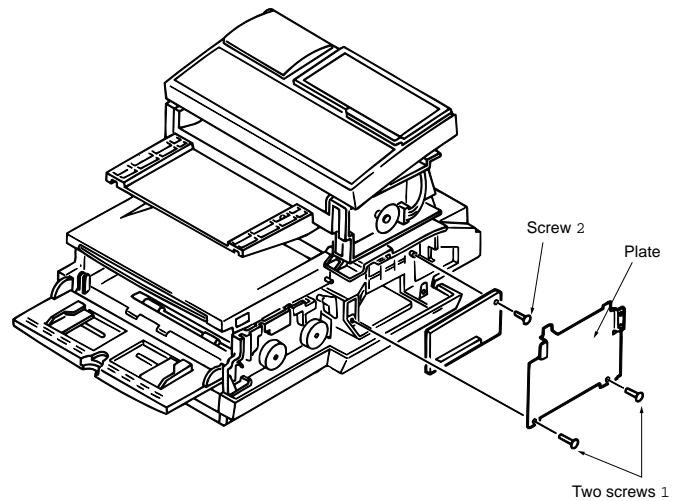
Remove the NCU board by unscrewing two screws.

Caution: Earth cable position is different from each machine version.



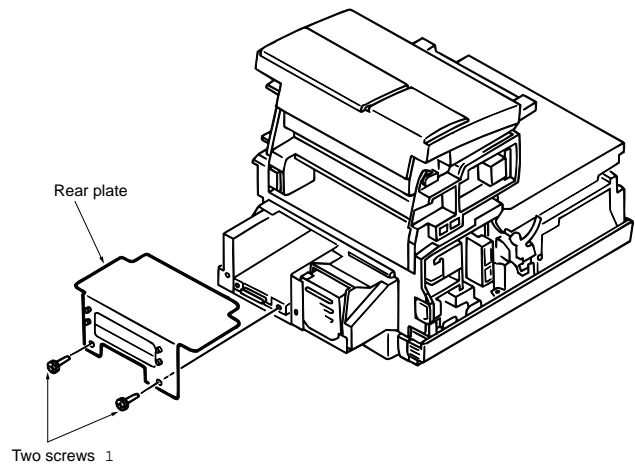
4.3.6 MODEM Board

1. Remove the plate by unscrewing two screws (1).
2. Remove the MODEM board by unscrewing one screw (2).

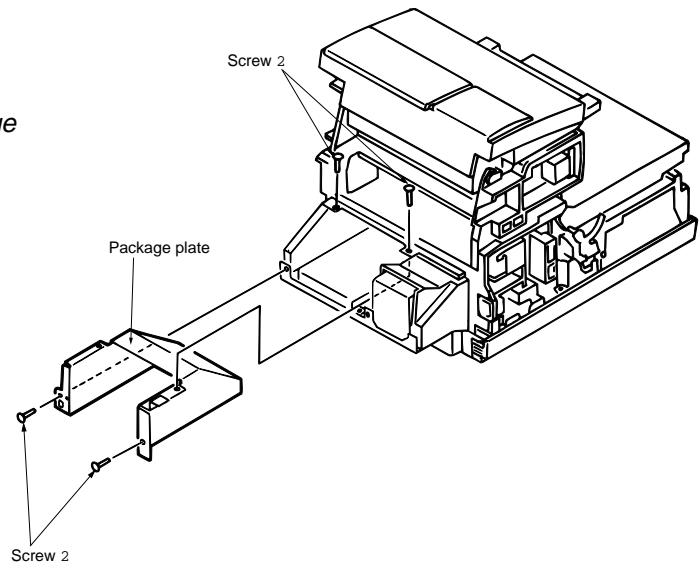


4.3.7 Plate Package

1. Unscrew two screws (1) and pull out the rear plate.

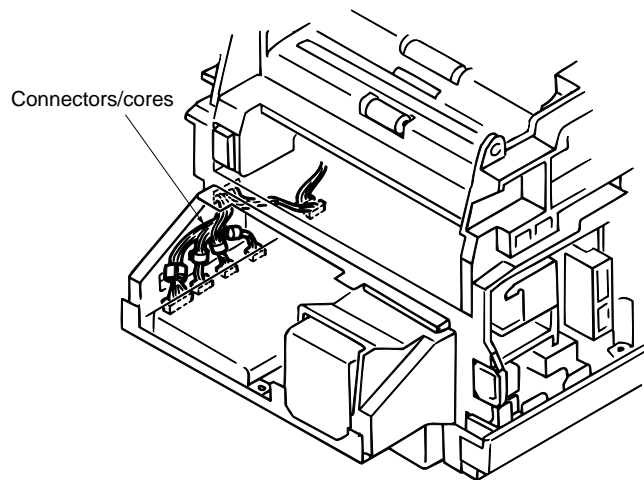


2. Unscrew four screws (2) and take out the package plate.
Caution: Before removing the package plate, disconnect Battery connector.

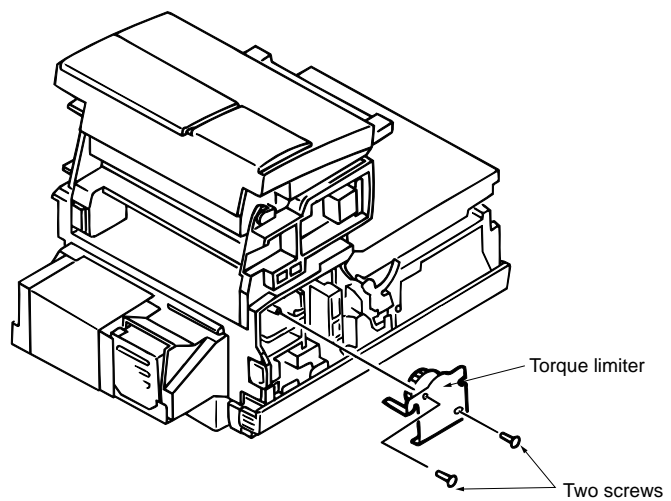


4.3.8 Scanner Unit (CIS)

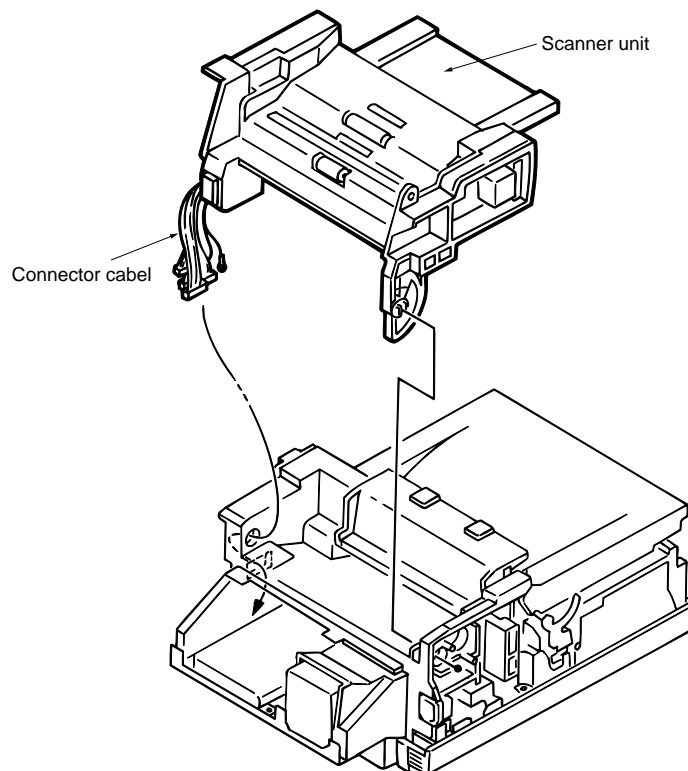
1. Disconnect six connectors (CN8, 9, 13, 14, 15 and SP)
2. Remove four cores.



3. Remove the torque limiter by unscrewing two screws.

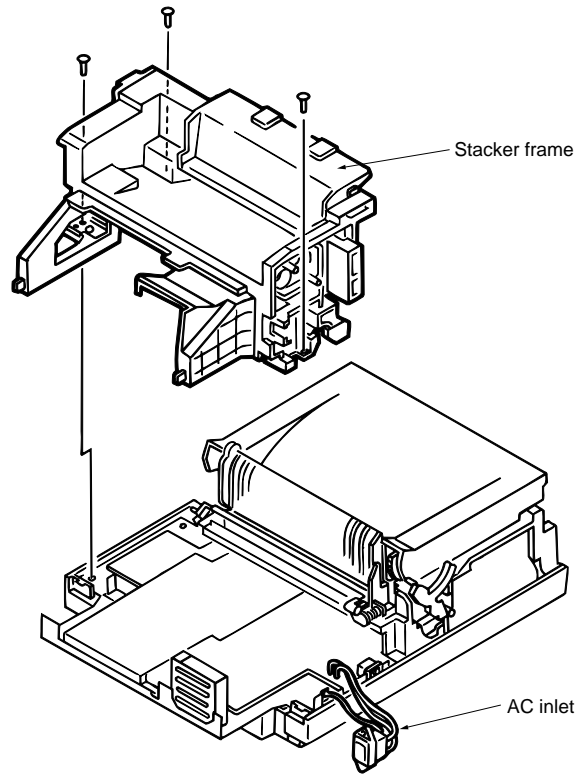


4. Pull out the connector cable from the stacker frame and remove the scanner unit.



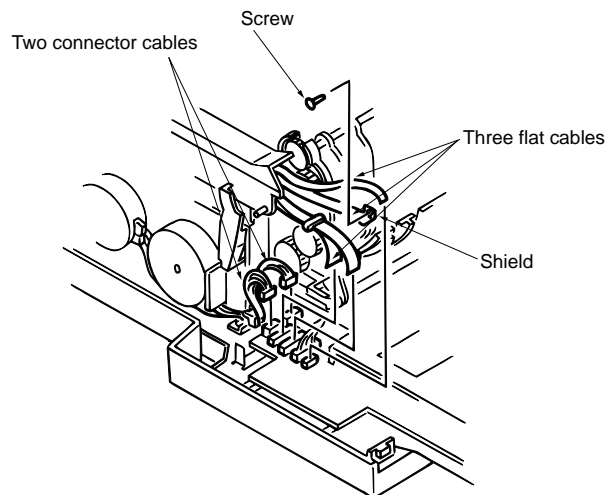
4.3.9 Stacker Frame

Remove the AC inlet and unscrew three screws to remove the stacker frame.



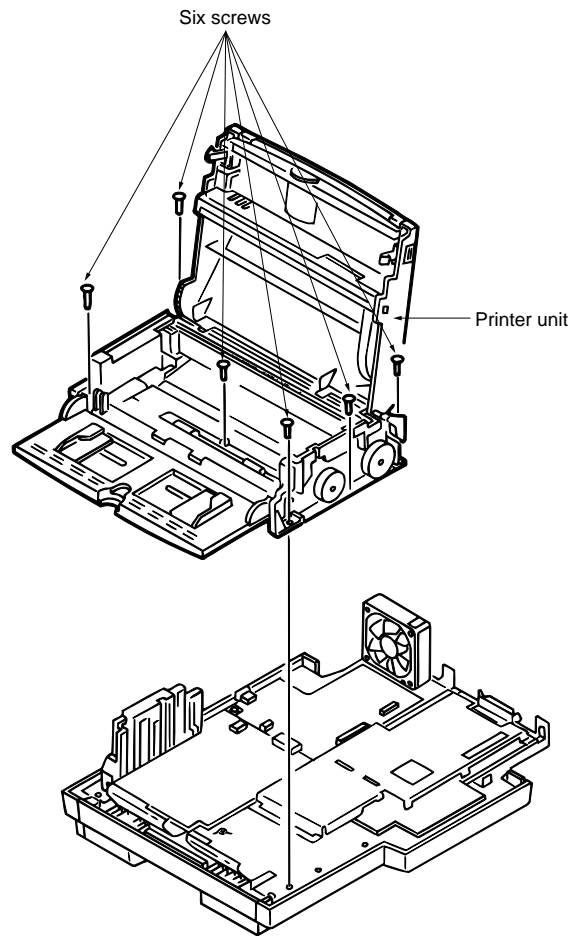
4.3.10 Printer Unit

1. Disconnect three flat cables and two connector cables
2. Remove the shield by unscrewing one screw.



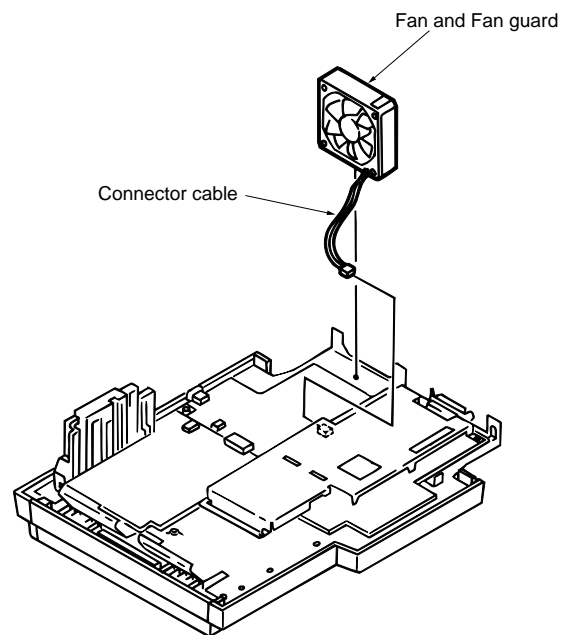
3. Remove the printer unit by unscrewing six screws.

Caution: The number of pins of the CN2 connector is the same as that of the CN3 connector; however, colors of these connectors are different (CN2 is yellow and CN3 is white). When connecting these connectors, pay attention to their colors.



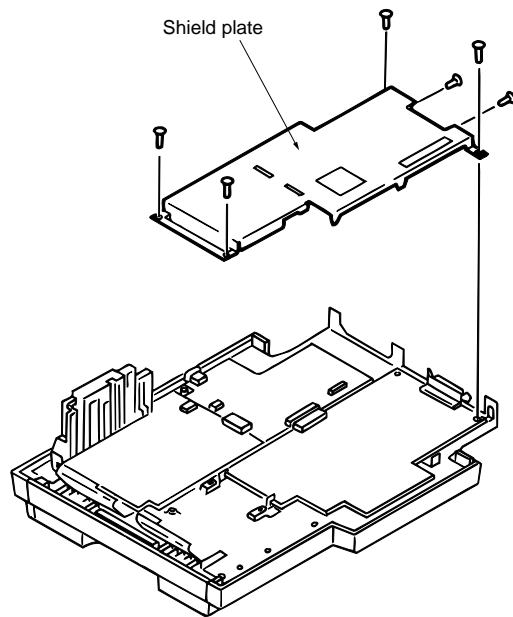
4.3.11 Fan and Fan guard

Disconnect the connector cable and remove the fan and Fan guard.



4.3.12 Main Board

1. Remove the shield plate by unscrewing six screws.
2. Unscrew four screws and disconnect two connector cables, then slide the main board for removal.



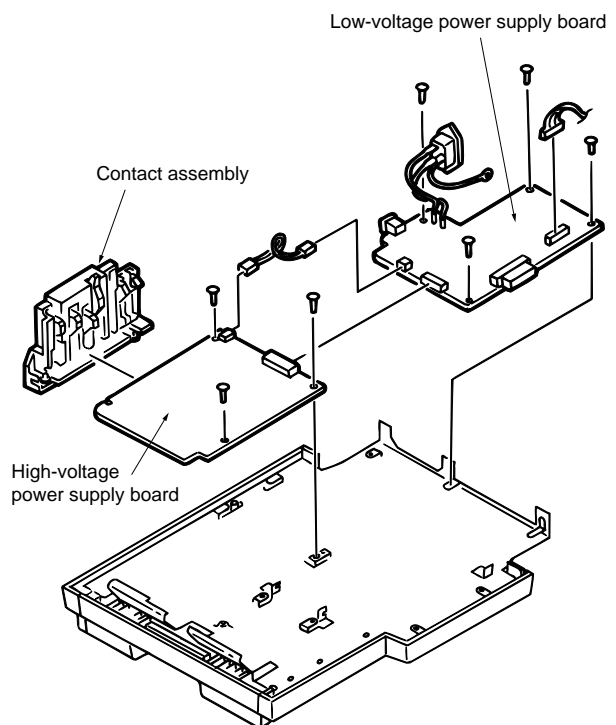
4.3.13 Contact Assembly and High-/Low-voltage Power Supply Boards

1. Remove the high-/low-voltage power supply boards by unscrewing seven screws.

Caution: Remove both boards at the same time. Unscrew one ground screw and remove the ground cable from the AC inlet.

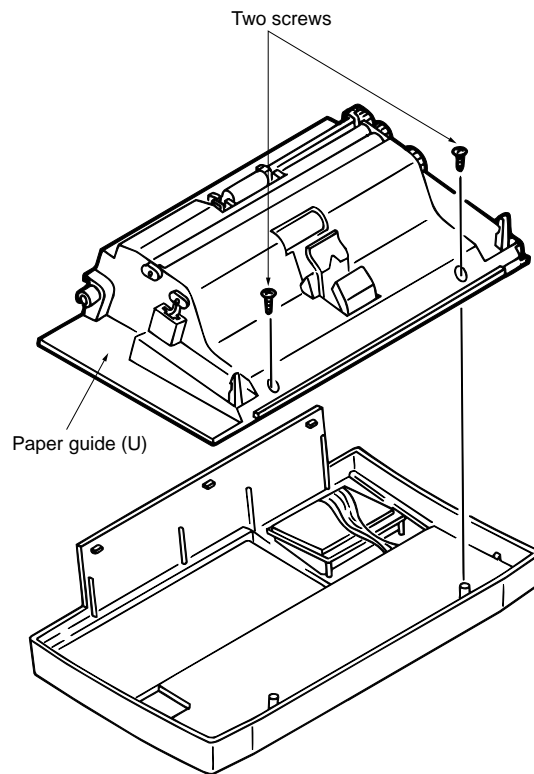
2. Disconnect two connectors to separate two boards.
3. Remove the contact assembly.

Caution: Never touch the pattern on the low-voltage board.

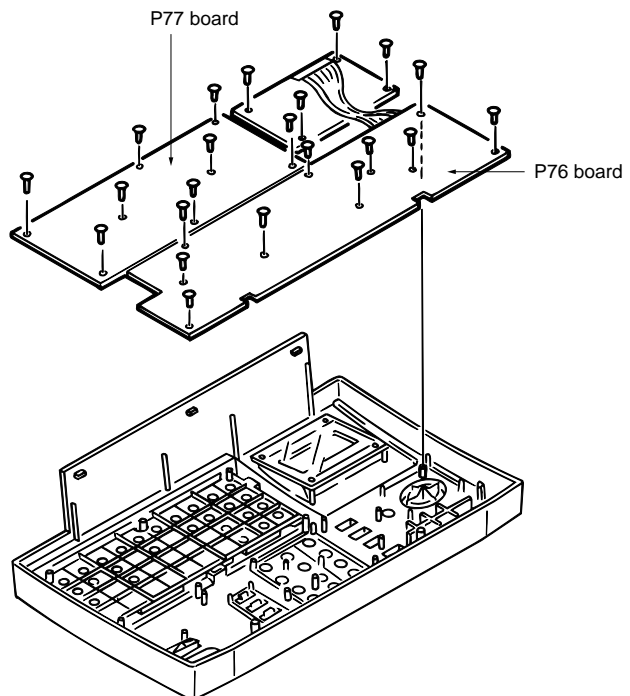


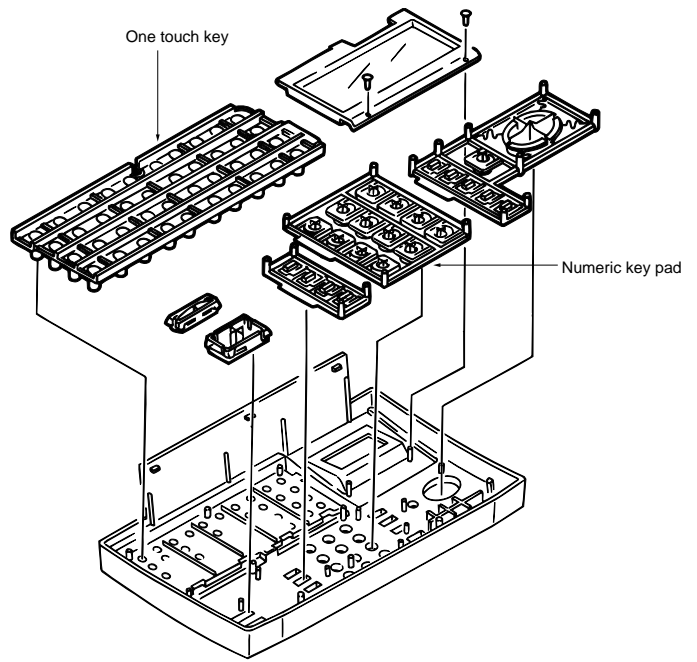
4.3.14 Disassembling the Operation Unit

1. Remove the paper guide (U) assembly by unscrewing two screws.



2. Unscrew 22 screws and disengage six hooks to remove the P76/P77 board assembly.
3. Remove the numeric key pad.

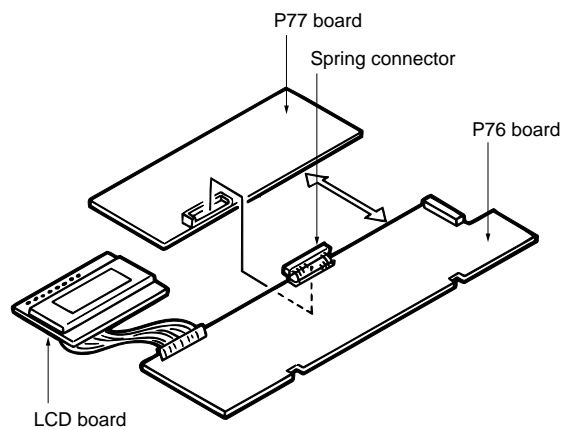




4. Disconnect the white connector to separate the P76 board from the P77 board.

Caution: The white connector is a spring connector. Be careful not to damage the connector when disconnecting it.

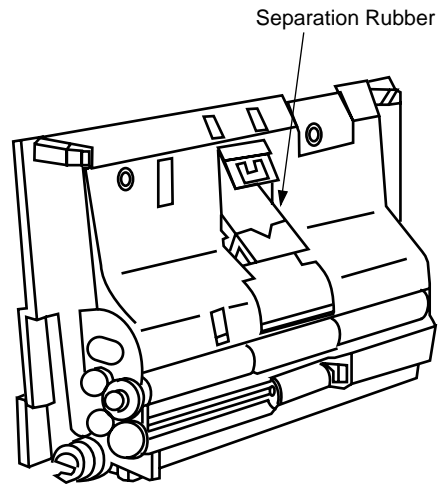
4.3.14.1 Disassembling the Operation Unit



Paper guide (U) Assembly

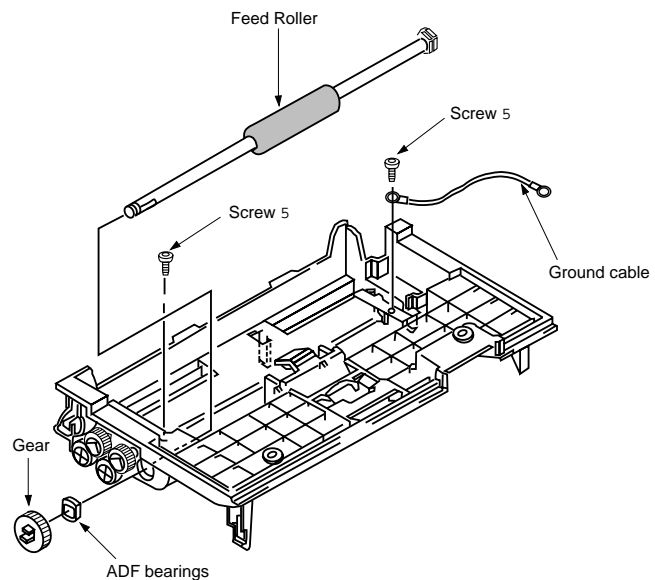
Separation Rubber

The Separation Rubber can be removed from the Paper Guide (U) Assembly.



Feed Roller

1. Remove the ground cable by removing the two screws 5.
2. Remove the Feed Roller by removing the gear and ADF bearings.



Scan Roller

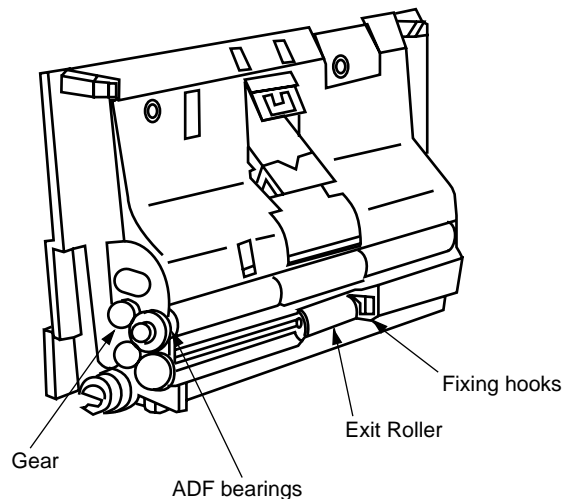
Remove the Scan Roller by removing the gear and ADF bearing.

Exit Roller

Remove the Exit Roller while spreading and holding up the part of the fixing hooks.

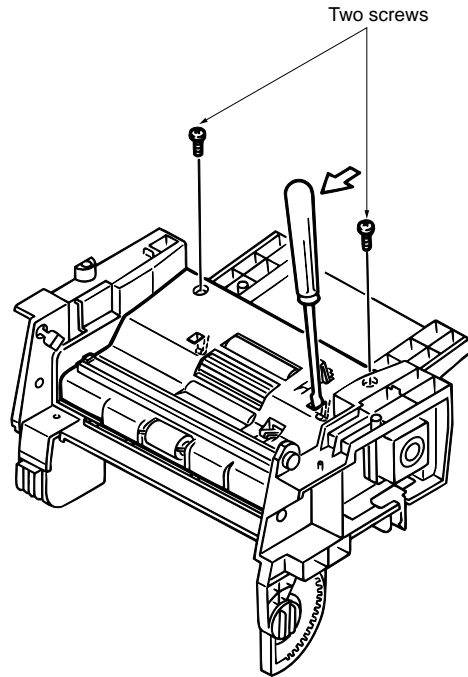
Caution: Be careful as not to break the shaft of the Exit Roller when removing.

4.3.15 Disassembling the Scanner Unit (L)



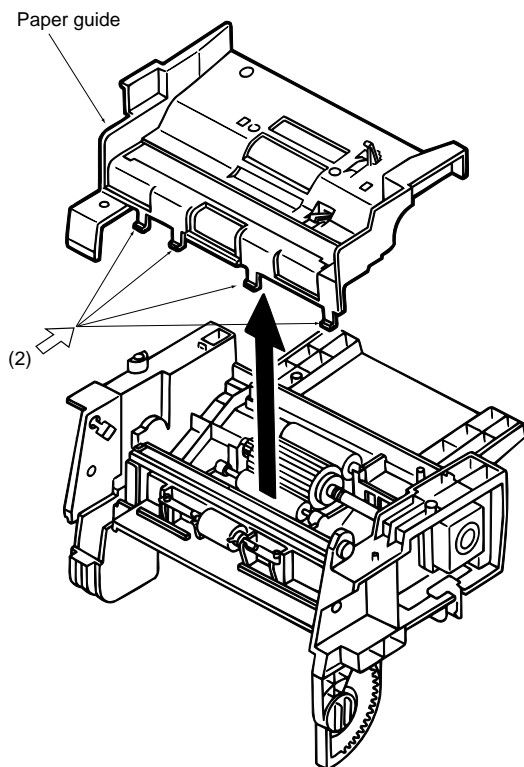
Paper Guide

Unscrew two screws and remove the paper guide.



(Removing the Paper Guide)

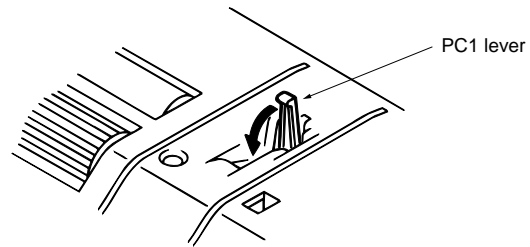
1. Insert the screwdriver in the holes (two) in the paper guide and push the screwdriver in the direction of the arrow (1) to release the hooks.
2. While pressing on the portion indicated by the arrow (2) with fingers, lift the paper guide for removal.



(Precaution for Installing the Paper Guide)

Install the paper guide while pressing the PC1 lever.

* This is necessary to prevent the lever from sticking.

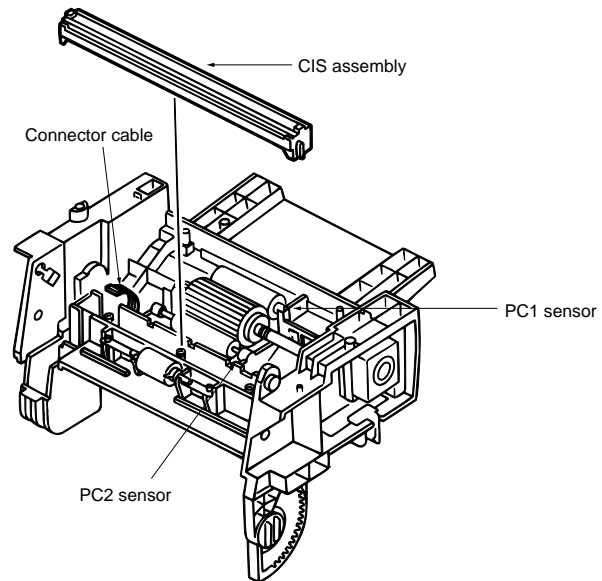


4.3.16 Scanner (CIS)

1. Remove the CIS assembly by disconnecting one connector.
2. Remove the CIS from the bracket.
(* Disengage the hook on the side where there is no connector.)

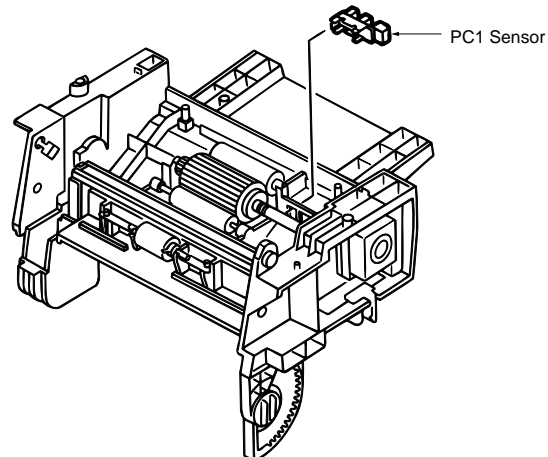
Caution: Pay attention to the orientation when reassembling it.

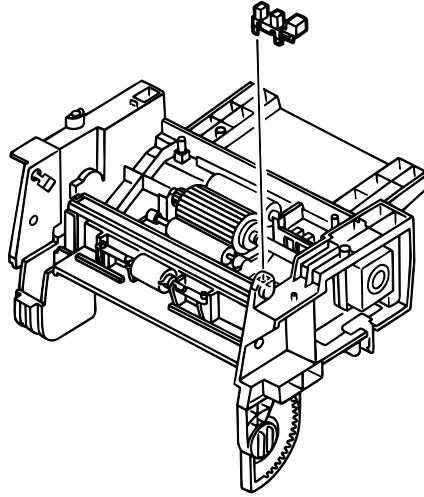
*Caution: Be careful not to damage the cable when disconnecting.
(The cable is very thin.)*



4.3.17 PC1/PC2 Sensors

1. Disengage four hooks and remove the PC1 sensor.
2. Pull out the PC2 sensor.



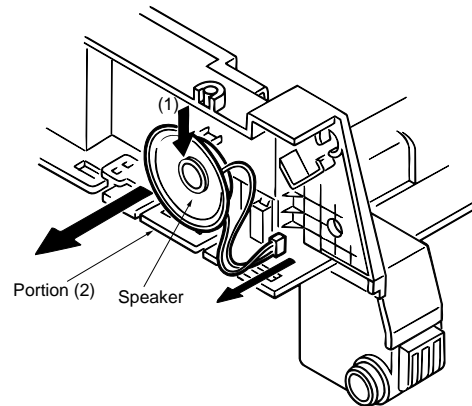


4.3.18 Speaker

Remove the speaker with it pushed in the direction of the arrow (1), then disconnect the cable.

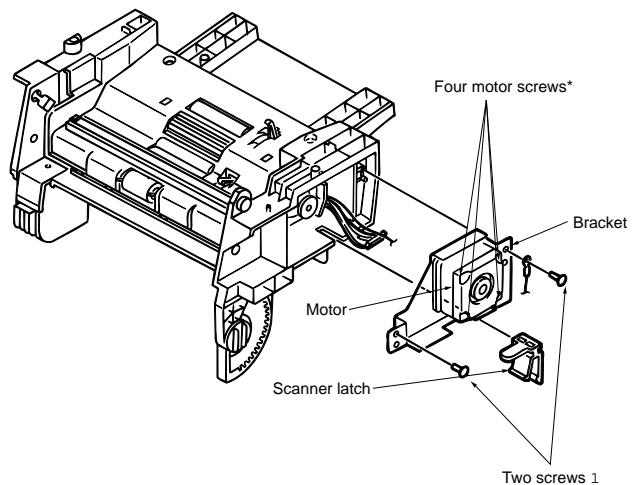
Caution: Be careful not to damage the portion (2) of the frame indicated by the arrow.

4.3.19 Scanner Motor

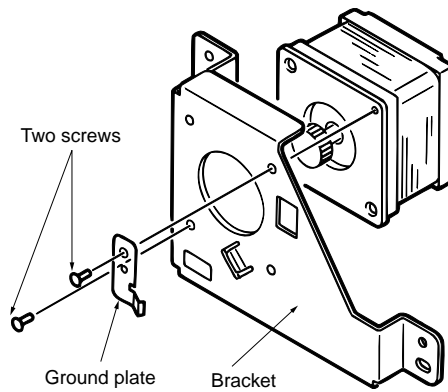


1. Remove the scanner latch.
2. Remove the motor cable and unscrew two screws (1) to remove the motor along with the bracket.

Caution: Do not remove the four screws securing the motor.*

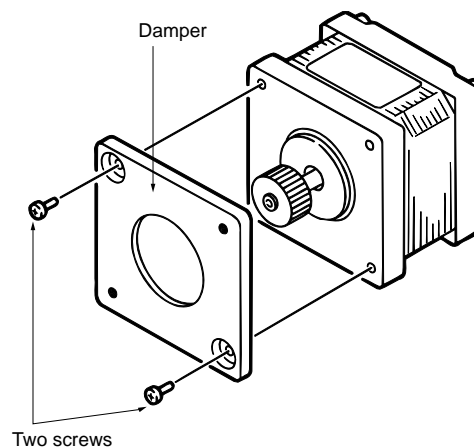


3. Remove the bracket and ground plate by unscrewing two screws.



4. Remove the damper by unscrewing two screws.

Caution: As a maintenance part, the damper is available separately from the motor. Keep the damper without throwing it away.



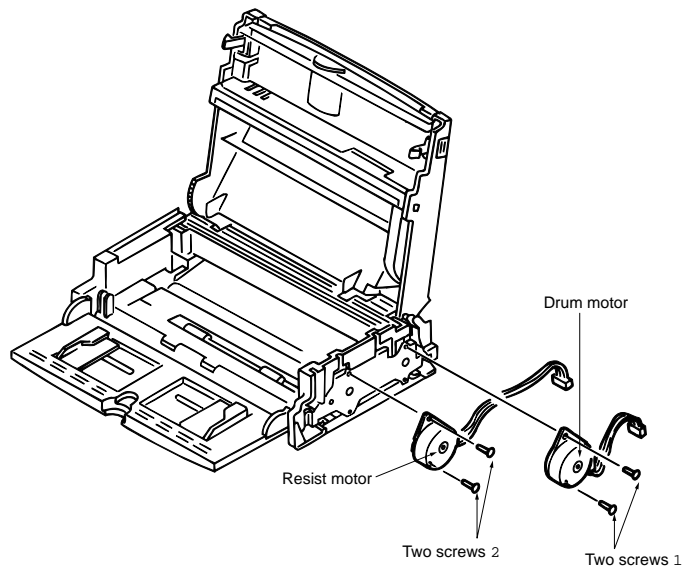
Precautions for Installation

1. When installing the damper, pay attention to its orientation and screw positions.
2. When installing the bracket and ground plate, check for their positions.

4.3.20 Disassembling the Printer Unit

Drum/Resist Motor

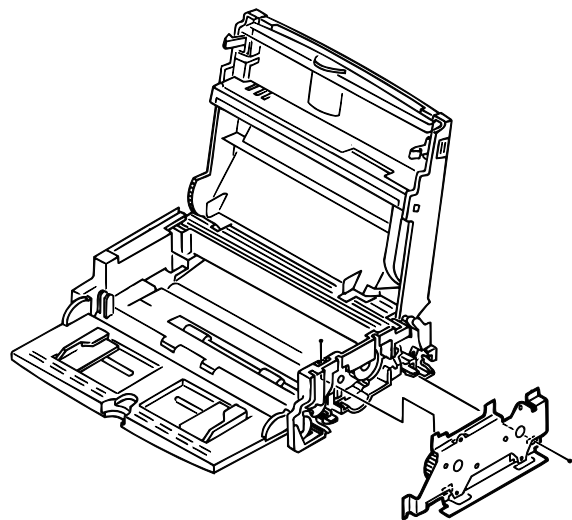
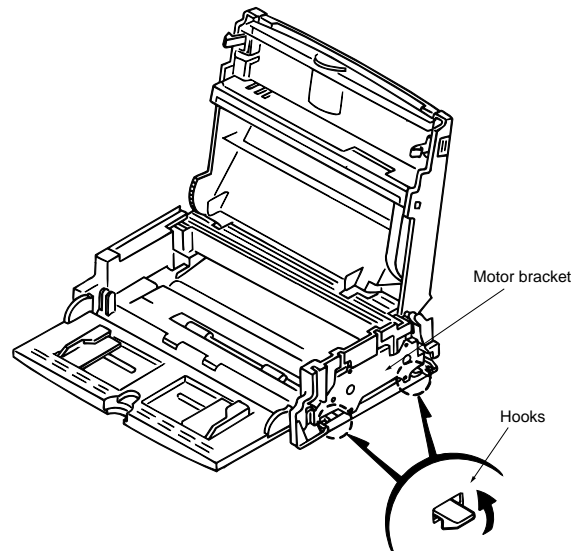
1. Remove the drum motor by unscrewing two screws 1.
2. to Remove the resist motor by unscrewing two screws 2.



Motor Bracket

Remove the bracket by releasing two hooks.

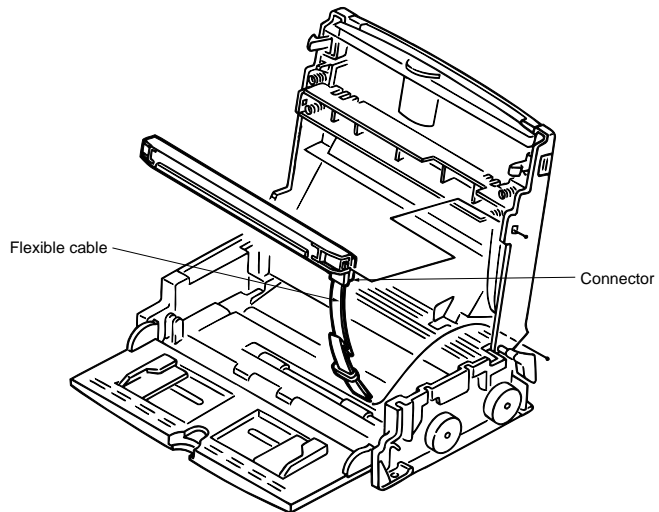
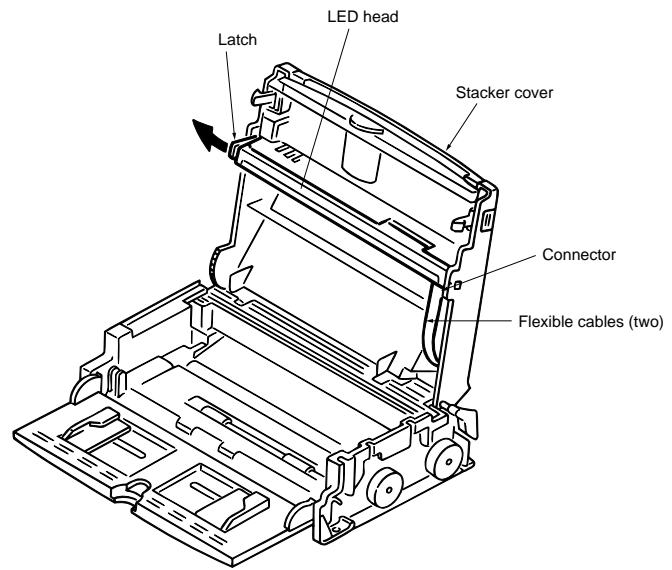
4.3.21 LED Head



1. Open the stacker cover and open the left-hand latch slightly to pull the LED head out. Next, disconnect flexible cables (two) along with connectors.

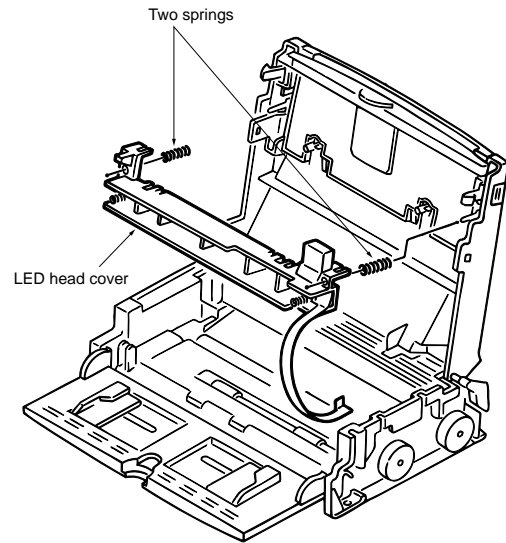
Caution: Disconnect the flexible cables with them inserted in connectors.

4.3.22 Toner Lockout Board



1. Remove two springs, pull the shield toward you, and remove the LED head cover.

Caution: Do not lose the springs.

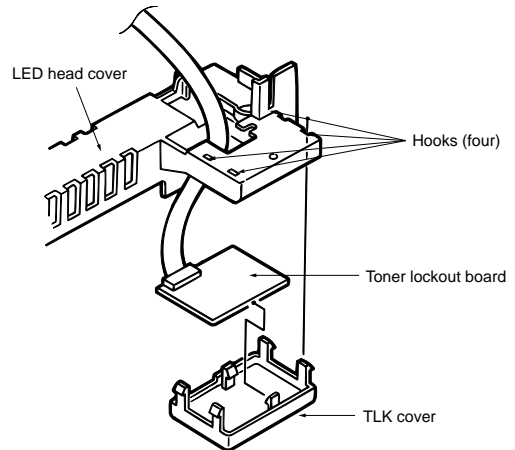


2. Remove the TLK cover by releasing hooks (four).

Caution: Pay attention to two springs.

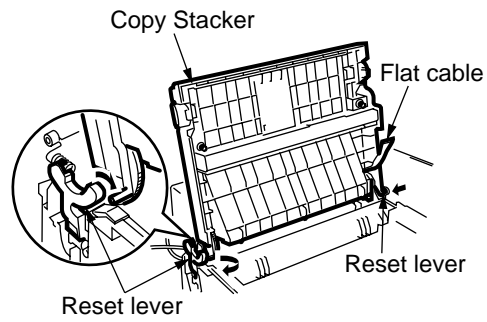
3. Remove the board by releasing hooks (two).

Caution: Do not break the hooks. Be careful not to lose the springs.



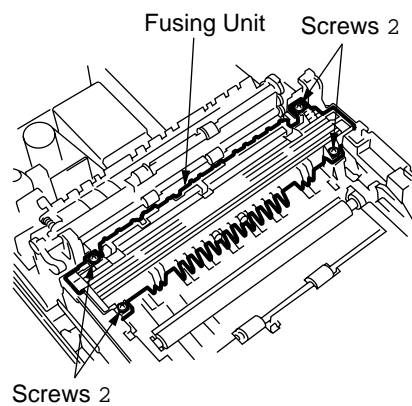
4.3.23 Stacker Cover

1. Disconnect the flat cable.
2. Remove the Copy Stacker by pressing inward the two latches on it from the two reset levers.
3. Remove the Copy Stacker by spreading it from the lower base.



4.3.24 Fusing Unit

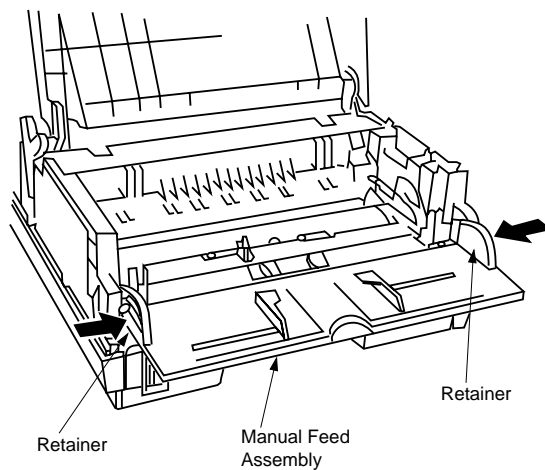
Remove the Fusing Unit by removing the four screws 2.



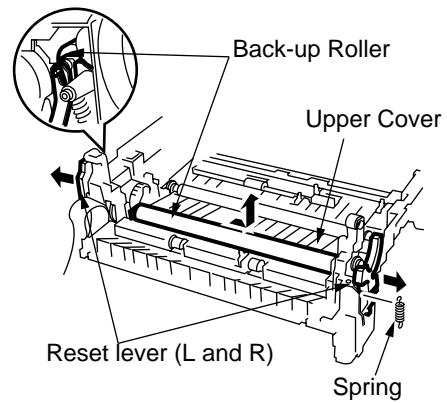
4.3.25 Manual Feed Assembly

1. First, carry out the disassembly procedure up to the point of Main Cover removal. (Refer to subsection 4.3.3)
2. Remove the Manual Feed Assembly by pressing inward the two retainers.

4.3.26 Back-up Roller, Transfer Roller

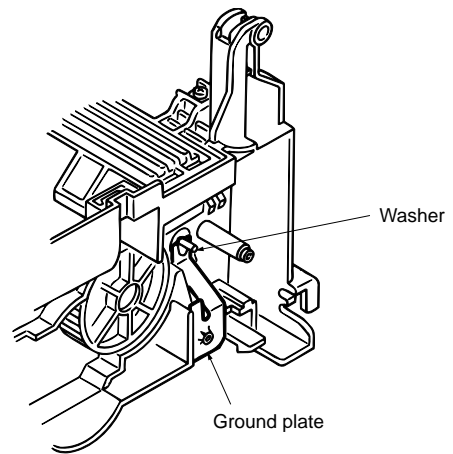


1. After removing the Lower Base, remove the spring.
2. Lift the left side of the Back-up Roller and pull it out leftwards.



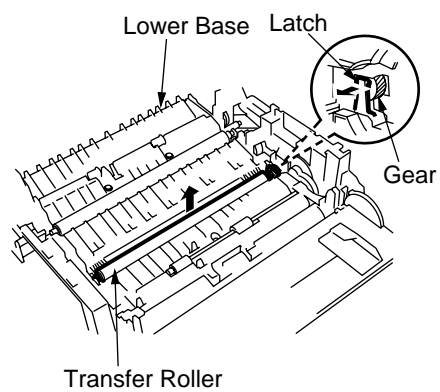
Caution:

- Do not lose the ground washer.
- Do not bend the ground plate.
- Do not damage the backup roller.



3. Release the gear by unlocking the latch on the Lower Base.
4. Lift the right side of the Transfer Roller and shift rightwards, then pull it out from the Lower Base.

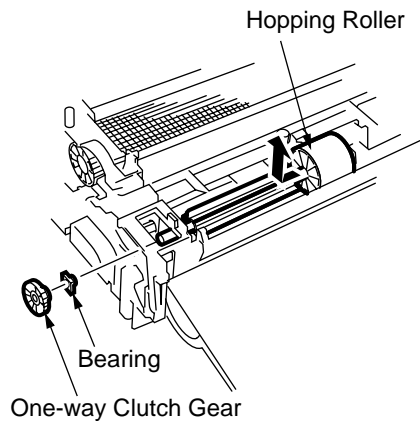
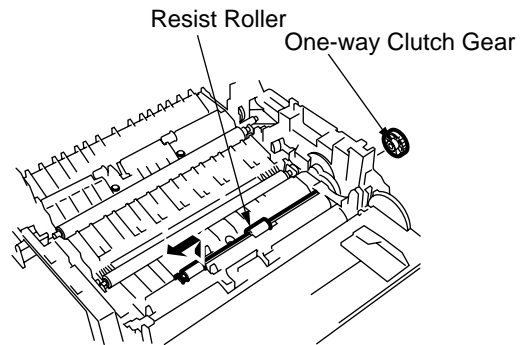
4.3.27 Resist Roller, Hopping Roller, Sensor Plates



(1) Disassembly procedure

1) Resist Roller, Hopping Roller

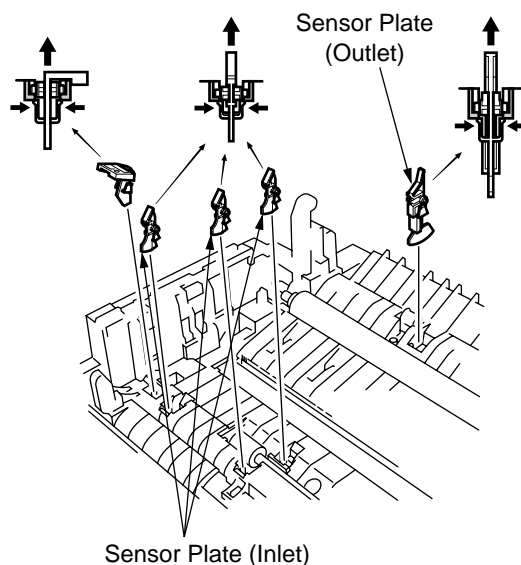
1. First, carry out the disassembly procedure up to the point of the Lower Base removal.
(Refer to sub-item 4.3.23.)
2. Remove the One-way Clutch Gear.
3. Press the Resist Roller to the right side and lift up the left side of it, then take off the Resist Roller.
4. Remove the One-way Clutch Gear and Bearing.
5. Remove the Hopping Roller by sliding to the right side.



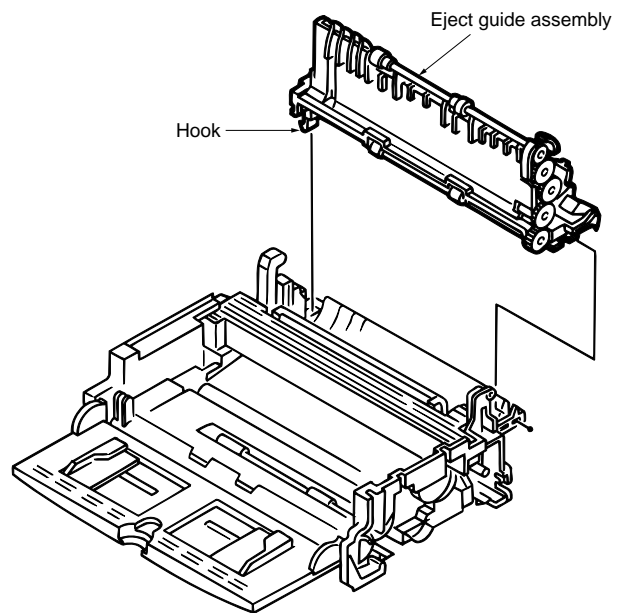
2) Sensor Plates (Inlet, Outlet), Toner Sensor

1. After removing the Lower Base, remove the Sensor Plate by pressing and holding the latches while shifting the Sensor Plate up and out.

4.3.28 Eject Guide Assembly



Remove the eject guide assembly by releasing the left-hand hook.



Reassembly Procedure

Carry out reassembly by reversing the disassembly procedure.

CHAPTER 5

ADJUSTMENTS

5.1 Setting of LED Print Head Drive Time

• Adjustment point: Technical Function: Setup No. 26

* To bring the LCD up to Technical Function, press MENU key once, RESOLUTION key twice (In case of no message in memory).

Note: When the rank marking of the replaced LED print head (new part) is the same as that of the used LED print head (old part), you do not always have to set the LED print head drive time.

Adjustment:

- 1) Turn AC power ON.
- 2) Setting of LED print head should be according to the Table 5.1.1 below:

Table 5.1.1 Setting of Technical Function: Set up No. 26

Setting Rank Marking	MSB	0	0	0	0	0	0	0	0	0	0	0	0	0	0	1	1	1	1	1	1	1	1	1	1	1	1	1	1	1	1	1	1	1	
		0	0	0	0	0	0	0	0	0	1	1	1	1	1	1	0	0	0	0	0	0	0	0	1	1	1	1	1	1	1	1	1	1	
		0	0	0	0	1	1	1	1	0	0	0	0	1	1	1	1	0	0	0	0	1	1	1	1	0	0	0	0	1	1	1	1	1	1
		0	0	1	1	0	0	1	1	0	0	1	1	0	0	1	1	0	0	1	1	0	0	1	1	0	0	1	1	0	0	1	1	0	1
	LSB	0	1	0	1	0	1	0	1	0	1	0	1	0	1	0	1	0	1	0	1	0	1	0	1	0	1	0	1	0	1	0	1	0	1
085 –										*																									
080 – 084											*																								
074 – 079												*																							
070 – 073													*																						
065 – 069														*																					
061 – 064															*																				
058 – 060																*																			
053 – 057																	*																		
050 – 052																		*																	
047 – 049																			*																
044 – 046																				*															
041 – 043																					*														
038 – 040																						*													
036 – 037																							*												
033 – 035																								*											
031 – 032																									*										
029 – 030																										*									
027 – 028																												*							
– 026																																*			

Note1: The luminous intensity ranking is determined by the first, second and third digits from the right in the LED print head (i.e. in ---XX061, 061 is the luminous intensity ranking.)

Note2: When the head label of the replaced LED print head (new part) is the same as that of the used LED print head (old part), you do not always have to set the LED print head width by technical function: Set up No.26. (Refer to table 2.9.2.3, TF No.26)

5.2.1 Confirmation Items

The clock frequency and power voltage of the machine are not possible to adjust in the field. However, their measurement procedures are described here for confirmation of clock frequency and each voltage.

1) Clock Frequency

- Measurement point: R76 board; R180-2 pin and ground terminal
- Specification: 20.000 MHz \pm 50 PPM

Note: If the counter does not read with 20.000 MHz, replace with a new crystal oscillator (X1).

2) +5V DC Voltage (SUB)

- Measurement point: R76 board; CN1-A8 pin and ground terminal
- Specification: +5.2V \pm 4%

3) +5V DC Voltage

- Measurement point: R76 board; CN1-B10, A11, B11 and A12 pin and ground terminal
- Specification: +5.1V \pm 4%

4) +8V DC Voltage

- Measurement point: R76 board CN1-A16 pin and ground terminal
- Specification: +8V \pm 4%

5) -8V DC Voltage

- Measurement point: R76 board; CN1-B15 pin and ground terminal
- Specification: -8V \pm 4%

6) +24V DC Voltage

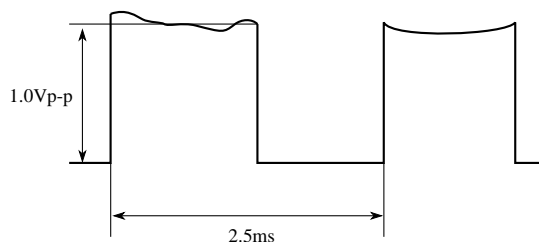
- Measurement point: R76 board; CN1-B6 pin and ground terminal
- Specification: 22V to 27V

7) +38V DC Voltage

- Measurement point: R76 board; CN1-B12, A13 and B13 pin and ground terminal
- Specification: +26V to +45V

8) Contact Image Sensor Output (SIG signal)

- Measurement point: R76 board; CN13-1 pin and ground terminal
- Specification: A waveform sample is shown below.
- Test chart: White sheet (A4 size)



5.2.2 Measurement

- 1) Turn the AC power OFF.
- 2) Carry out the disassembly procedure up to Cover assembly-top, Frame assembly-scanner, and Unit-printer.
(Refer to the Mechanical Disassembly and Reassembly in Chapter 4.)
- 3) Connect extension cables to the R51 board.
- 4) Connect the frequency counter (for clock frequency), digital voltmeter (for power voltage) and Oscilloscope (for SIG signal). See figure 5.2.1.
- 5) Turn AC power ON.
Main power supply is set to "ON" (PC1 ON) by loading the document on the cover-top.
(except +5V SUB)
- 6) Measurement
- 7) Turn the AC power OFF.
- 8) Reverse the disassembly procedures.

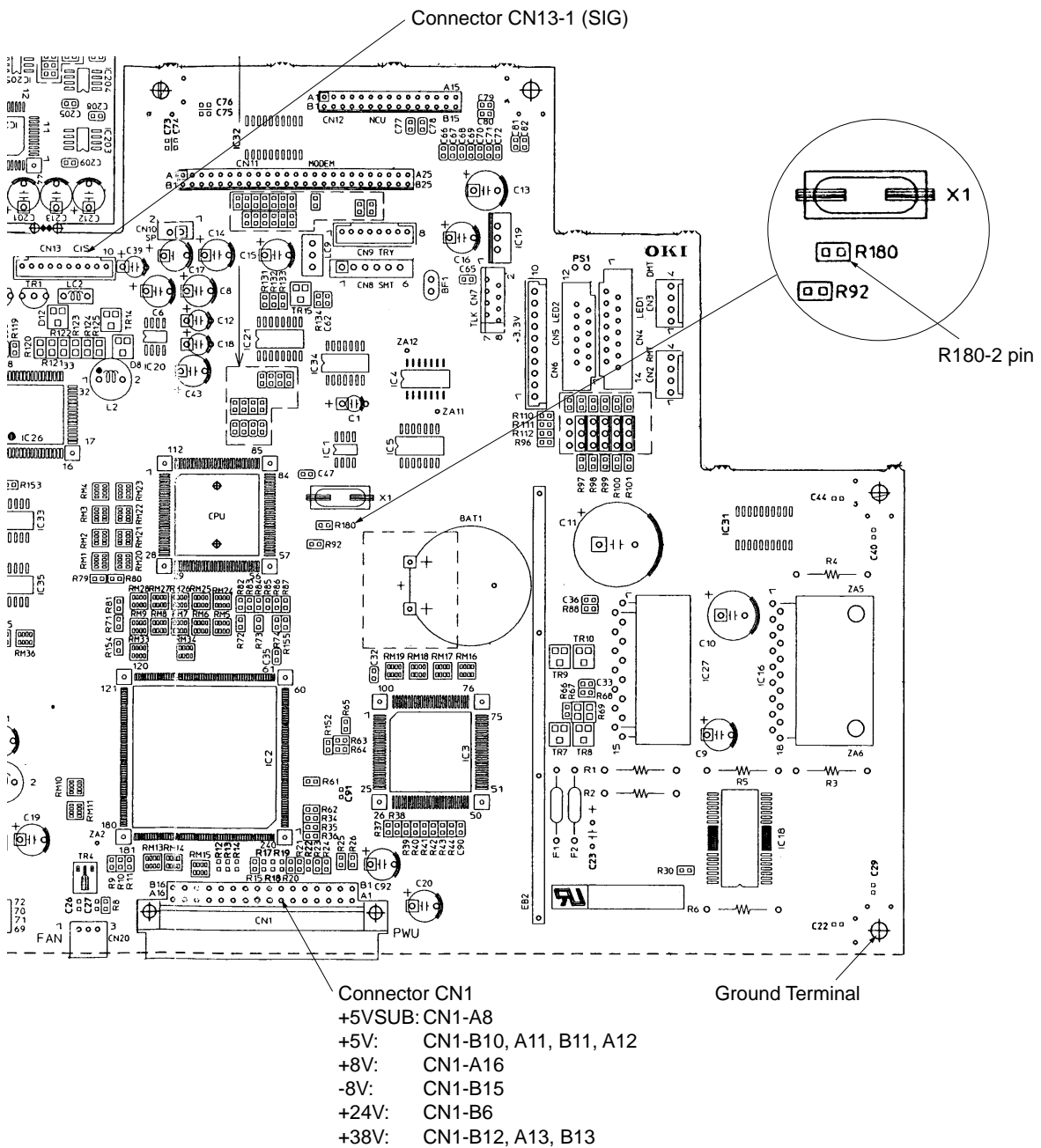


Figure 5.2.1 Measurement Points on R76 Board

CHAPTER 6

CLEANING AND MAINTENANCE

6.1 Replacement of Consumable

The user (or service personnel) is required to replace the following items as consumable parts.

(1) User side

No.	Part name	Expected Use Before Replacement	Reference Item No. in Fig.6.1
1	Toner Cartridge	3,000 sheets/4% duty (2,500 sheet for OKI-INT) (ITU-T document sample No.1) (For the second or later cartridge to a new I/D Unit) * The first toner cartridge installed in a new I/D unit will have a decreased yield.	(1)
2	I/D Unit (Image drum unit)	9,000 sheets: 1 page/job, 14,000 sheets: 3 page/job, 20,000 pages/continuous	(2)

(2) Service personnel side

No.	Part name	Expected Use Before Replacement	Reference Item No. in Fig.6.1
1	Fuser Unit	180,000 sheets	(3)
2	Separation Rubber	The Separation Rubber will not require replacement for at least 30,000 documents fed.	(4)

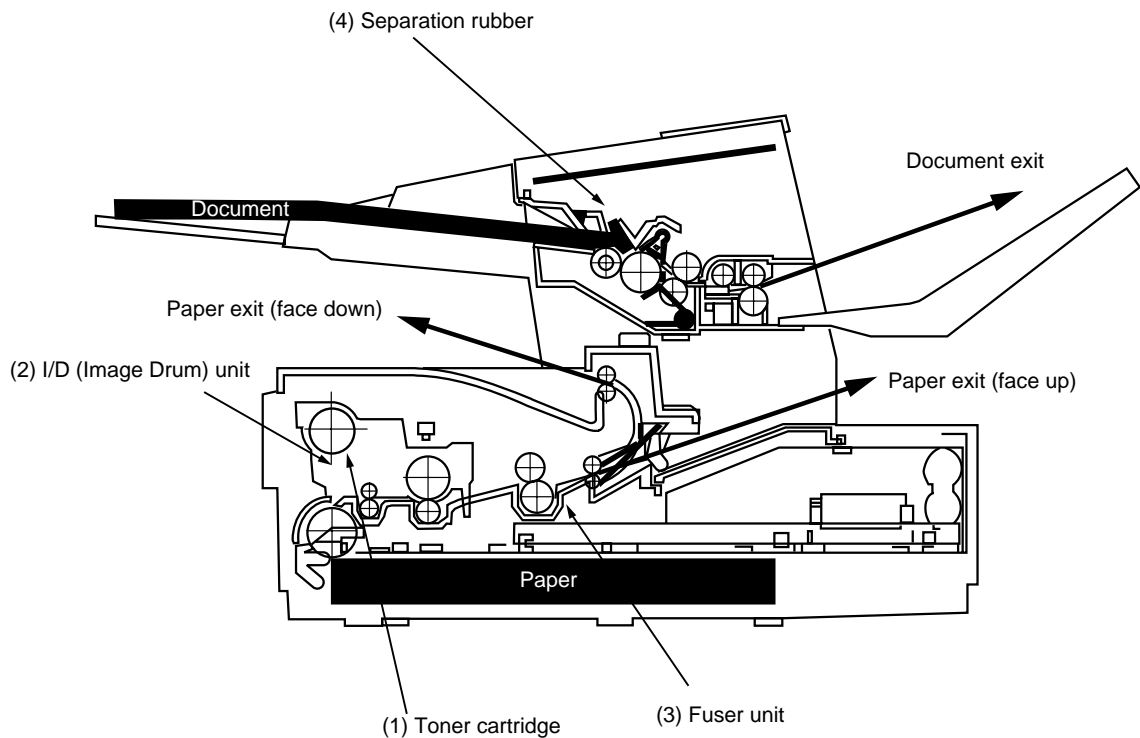


Figure 6.1 Consumable Parts

(3) Others

Table 6.1 Reliability

No.	Item	Specifications
1	Document feeder	Jam occurrence and misfeeds in the automatic document feeder will be less than one in 500 operations for all specified documents.
2	Recording paper feeder	Jam occurrence in the automatic paper feeder will be less than one in 1,500 operations and misfeeds will be less than one in 500 operations for all specified recording paper.
3	MTBF	<p>The MTBF for the overall machine will exceed 3,000 hours of actual operation.</p> <p>The MTBF will be measured at a confidence level of 95% under controlled laboratory conditions.</p> <p>The MTBF will be based on 50% transmit and 50% receive activities.</p>
4	Battery <ul style="list-style-type: none">• for RTC • for Memory	<p>5 years Lithium battery: Not rechargeable.</p> <p>300 cycle of charge/discharge Manganese dioxide battery: Chargeable.</p>

6.2 Routine Inspection

Basically, the routine inspection of following items is performed about half-yearly (or every one year) after the machine is installed. The description of routine inspection is shown in Table 6.2.

Table 6.2 Routine Inspection

No.	Part name	Expected Use Before Replacement	Reference Item No. in Fig.6.2
1	Roller-scan	Clean with wet cloth.	(1)
2	Roller-ADF	Clean with wet cloth. If the surface of this roller becomes dirty and the dirt causes misfeeding of documents, perform this cleaning.	(2)
3	Contact Image Sensor	Check for accumulation of paper dust, etc. Clean with ethyl alcohol if necessary.	(3)
4	Separation Rubber	Clean with wet cloth. If this rubber is worn out, replace this rubber. (every one year)	(4)
5	LED print head	Clean the surface of the head by moving the tissue paper back and forth several times.	(5)
6	Printer unit	Clean the inside of the printer unit by using wet cloth.	
7	Lubrication	Apply MOLYKOTE EM-30L Grease (Made by Dow corning co., ltd.) oil to the following parts: a. Gears (once a year)	
8	Cleaning	Remove materials that have fallen from outside, if any.	

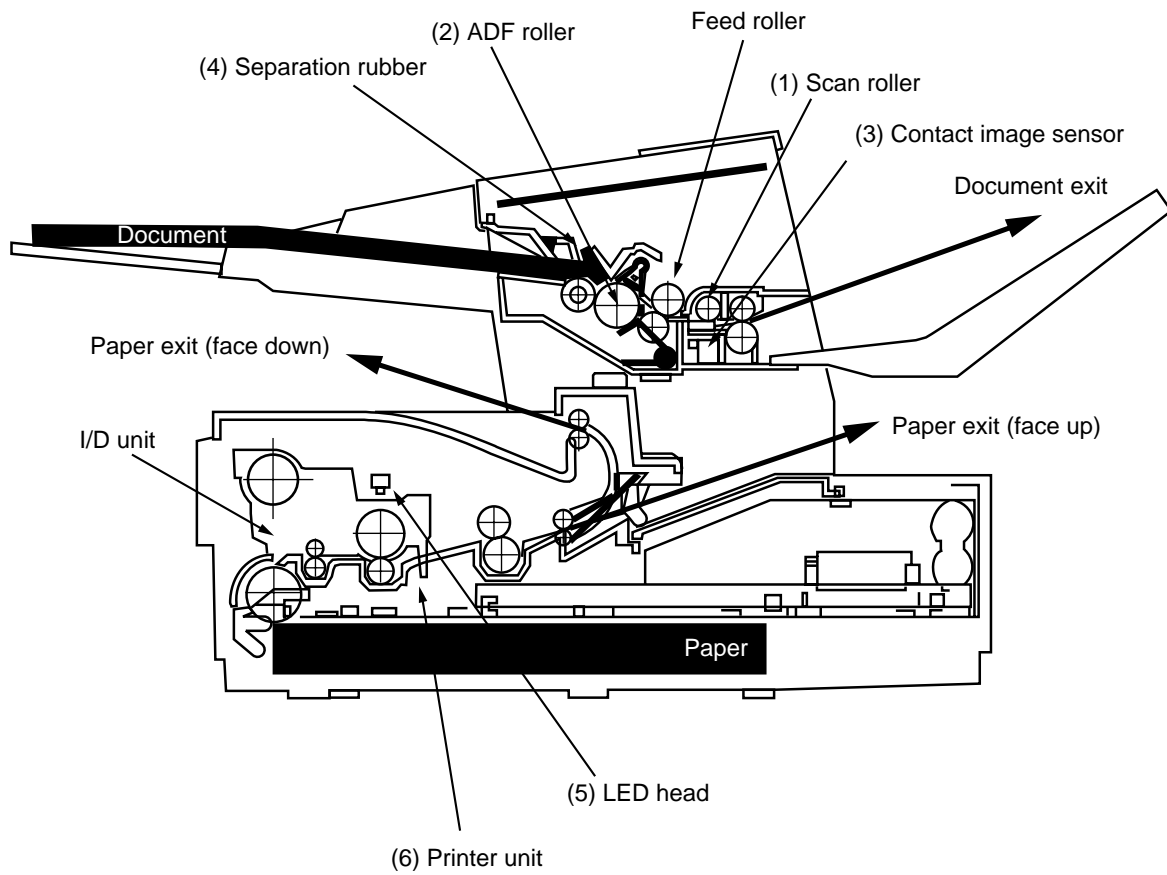


Figure 6.2 Parts of Routine Inspection

6.3 Printer Counter Display/Clear

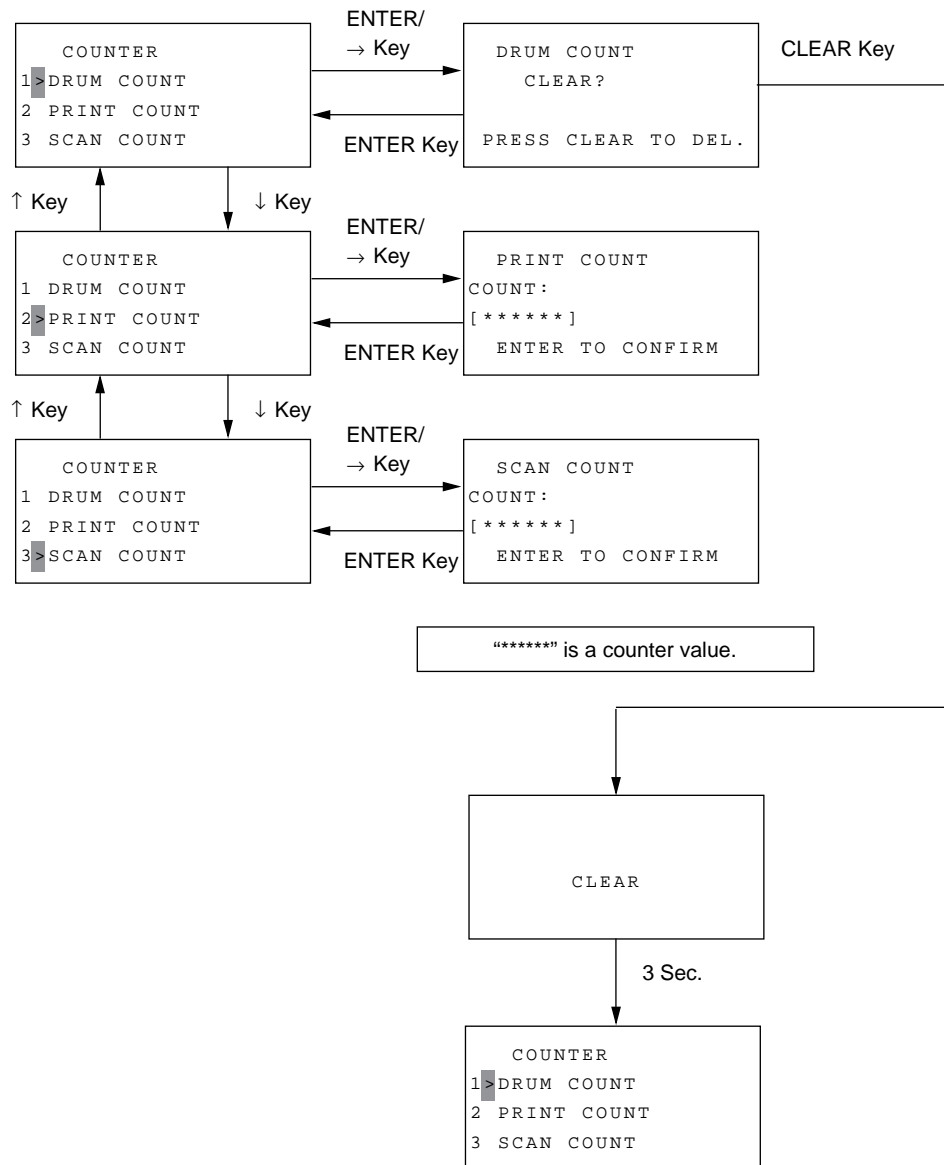
Note: The fonts displayed on the LCD operation panel may differ from the fonts written in this manual.

1. Purpose

A user can clear the image drum unit and check some of the counters (such as the print counter, scan counter) by using the \blacklozenge key or \emptyset key.

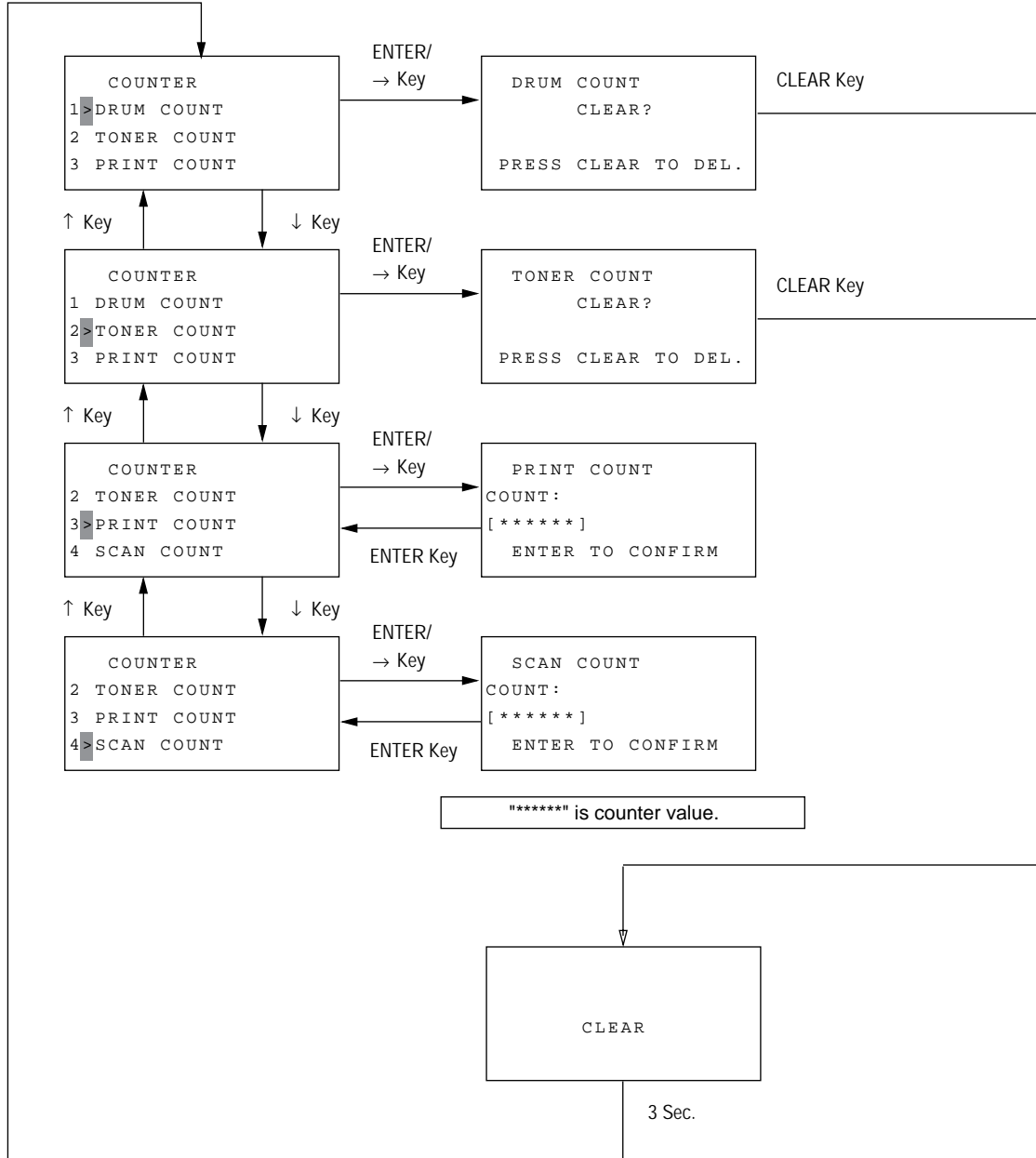
2-1. Procedure

The following shows the case when the service bit has been set OFF & TONER COUNT CLEAR = OFF.



2-2. Procedure

The following shows the case when the service bit has been set OFF & TONER COUNT CLEAR = ON.



6.4 Printer Counter Display/Clear

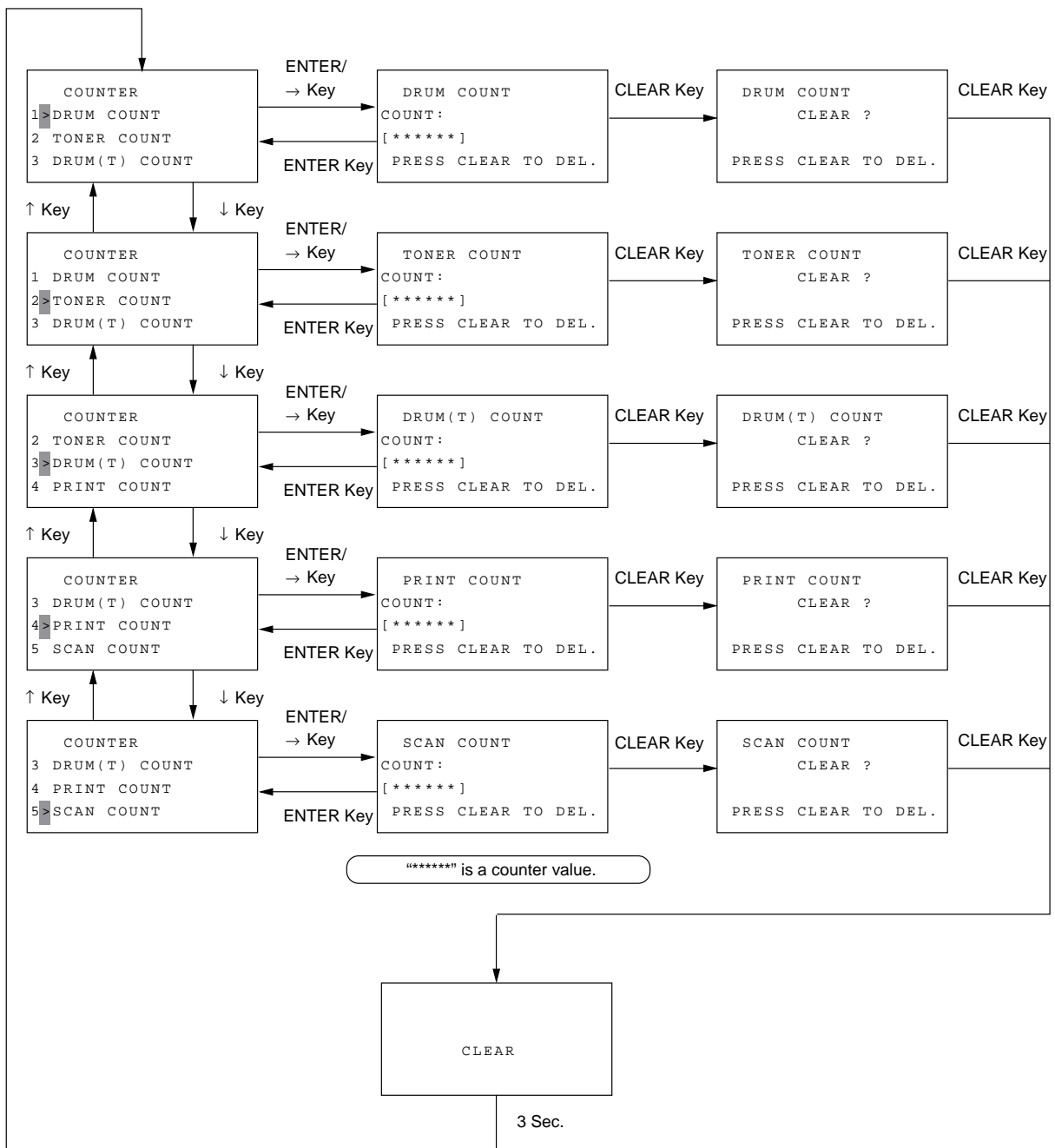
1. Purpose

The service personnel can clear and check the following data:

- Image Drum
- Toner
- Image Drum (Total)
- Print
- Scan

2. Procedure

The following shows the case when the service bit has been set ON.

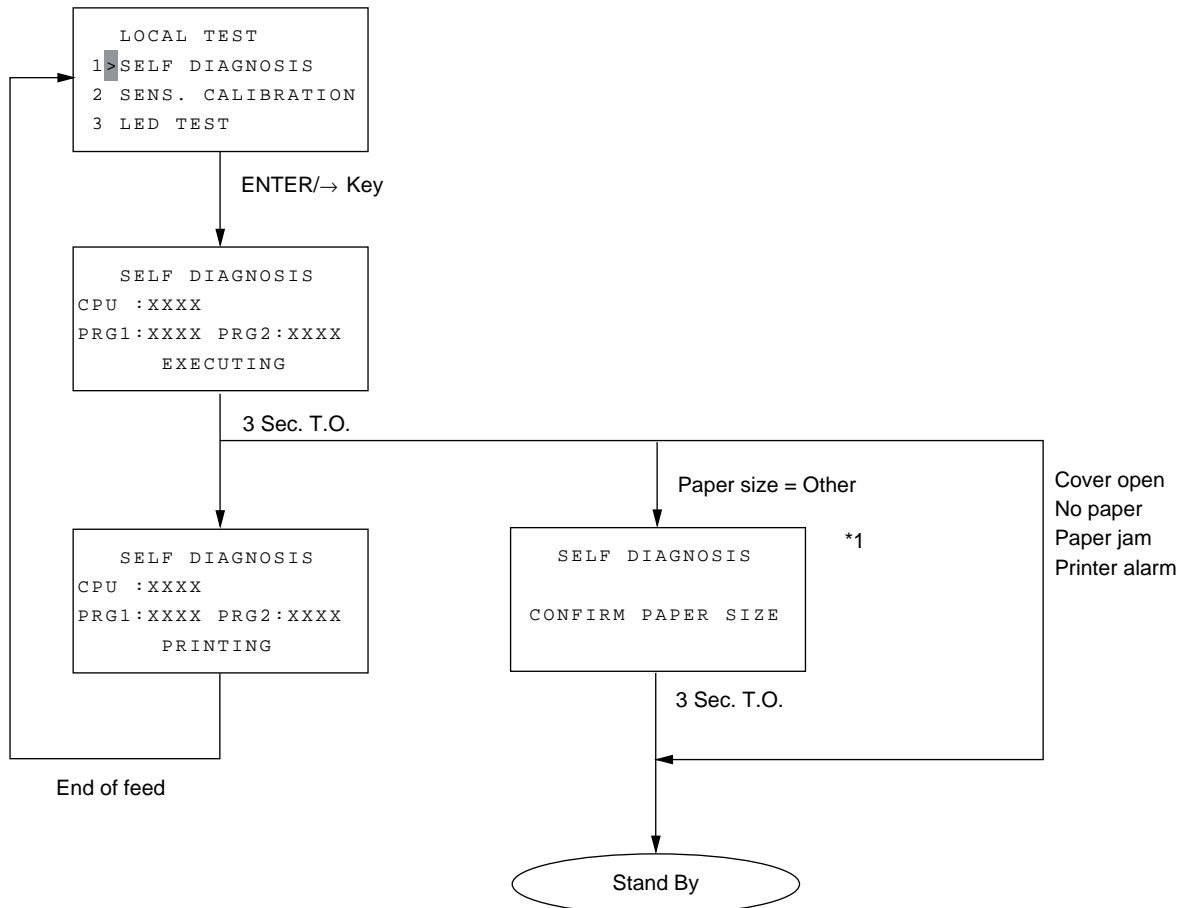


6.5 Self-diagnosis Test

1. Purpose

To check ROMs, RAMs and printing function.

2. Procedure



*1: OTHER is shown as below:
EXEC./JIS-B5/A5/A6

SELF DIAGNOSIS REPORT

12/24/1998 12:00
ID=0dc Takasaki



MAINBOARD

CPU-ROM	VERSION	aaaa	* 1
	HASH	CK hhhh	* 1
CPU-RAM		CK	
PROGRAM1	VERSION	aaaa	
	HASH	CK hhhh	
PROGRAM2	VERSION	aaaa	
	HASH	CK hhhh	
LANGUAGE	VERSION	aaaa	
	HASH	CK hhhh	
DEFAULT	VERSION	aaaa	
	HASH	CK hhhh	
DEFAULT	TYPE	01	
MODEM	VERSION	hhhh	* 1
RAM1	8M	CK	
RAM2		CK	
CARTRIDGE		bbbb	* 1 / * 4
OPT-MEM	2M	CK	* 2
DEVICE ID	Okifax 5700		* 2 / * 3
HSP		CK	* 2 / * 5
ISDN BOARD		CK	* 2 / * 6
CPU-ROM	VERSION	aaaa	
	HASH	CK hhhh	
CPU-RAM		CK	
PROGRAM	VERSION	aaaa	
	HASH	CK hhhh	
RAM	2M	CK	
DPRAM	2K	CK	



Note:

- *1: a indicates an alphanumeric character; n indicates a numeric character (0 to 9); h indicates a hexadecimal number; and b indicates 0 or 1.
- *2: Printed when the option board is mounted and if not, entry lines following this line are not omitted.
- *3: Lowercase letters can also be listed. This item reports MDL information for the PnP device ID only.
This item can be up to 40 characters long.
- *4: This item reports toner cartridge ID information (port read value).
Entry items shown below are printed.
CARTRIDGE bbbb
- *5: For the LAN board, the status of the LAN board at self diagnosis shall be recorded. (If the LAN board is in the alarm state, the cause of the alarm is recorded.) When an HSP error occurs, entry items shown below are printed.
HSP NG nn

nn=10:

Command was sent to the HSP card but its response was not returned within 5 seconds.

nn=20:

The Status Window did not show in the initial state 10 seconds after powering on.

nn=21:

Received the operation command during the POWER ON mode if it takes 3 seconds or more to transfer to the operation mode after clearance of the initial synchronizing flag.

nn=22:

In the Reverse Data command, the HSK card could not transmit all the notification data from the higher modules. (In case a communication error has occurred between the HSP and host.)

nn=00:

Others

- *6: The result of ISDN board test, which is performed at self diagnosis, shall be printed. (Error information at power-on shall also be listed partially.)
When an ISDN error occurs, entry items shown below are printed.
ISDN BOARD NG nn

nn=01 Waiting for PC loading

The BOOT2 signal from the host side at the time of power on is set to PC loading mode.

nn=02 Board abnormality

The ISDN board program hash is NG upon power on.

nn=03 Board abnormality

The initial sequence between boards cannot be executed in 10 seconds after power on. (The status window does not indicate a normal value.)

nn=04 Board abnormality

The initial sequence of the ISDN LSI cannot be executed upon power on.
(No response for the command, NG response)

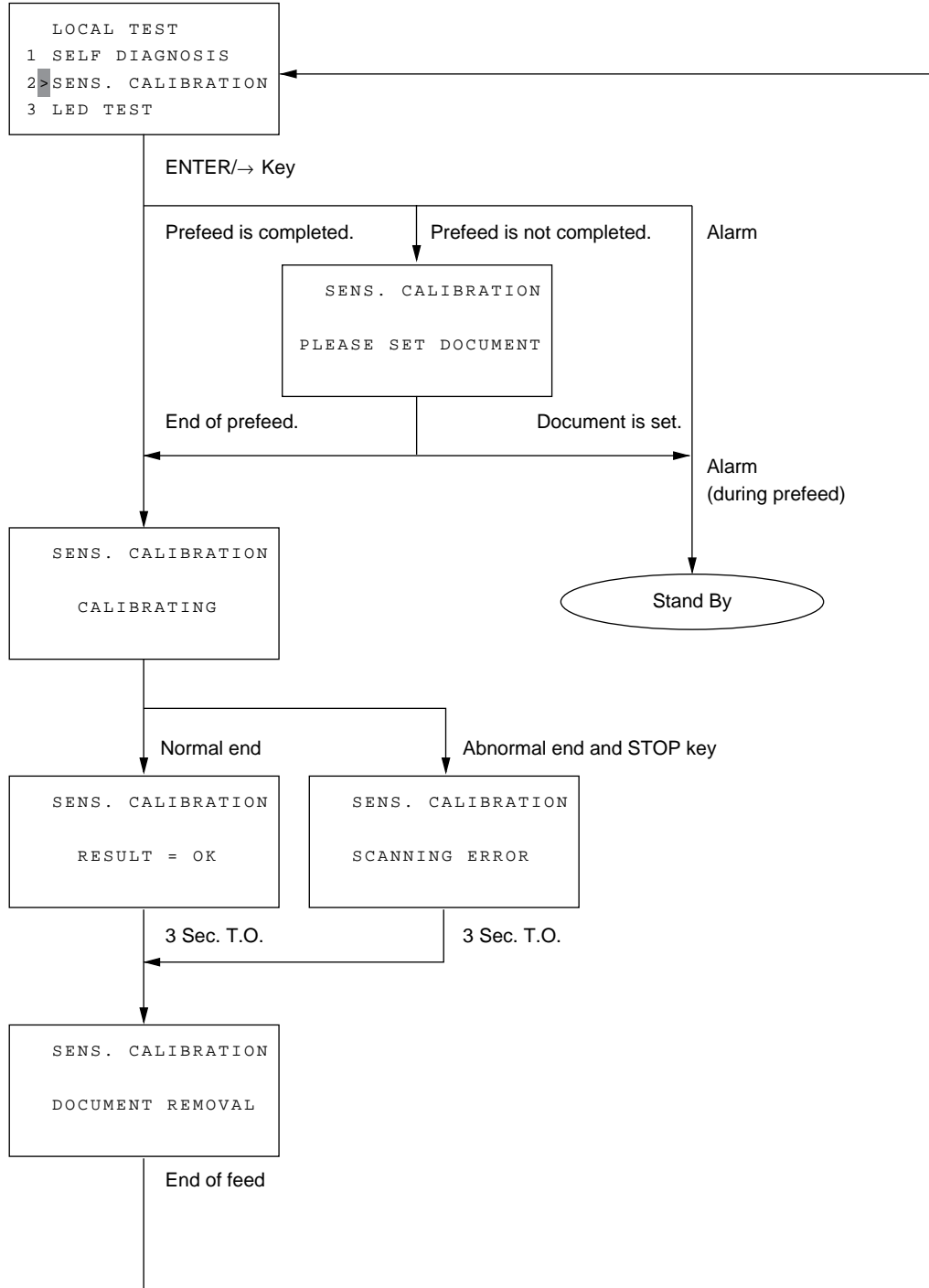
nn=05 ISDN LSI abnormality

The result of ISDN LSI testing function is NG: (ROM/RAM test, Loop test)

6.6 Sensor Calibration Test

1. Purpose

To adjust the linearity of output levels of contact image sensor.

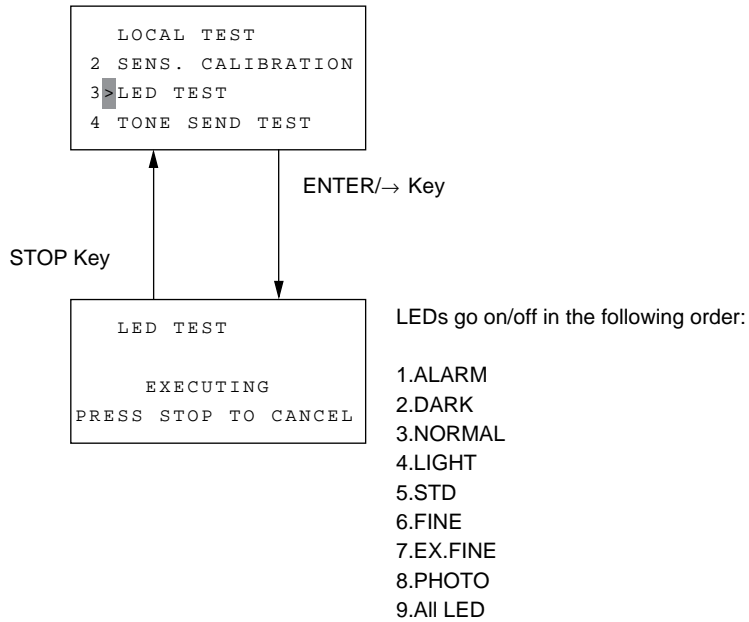


6.7 LEDs Test

1. Purpose

To check all LEDs on operation panel by lighting.

2. Procedure



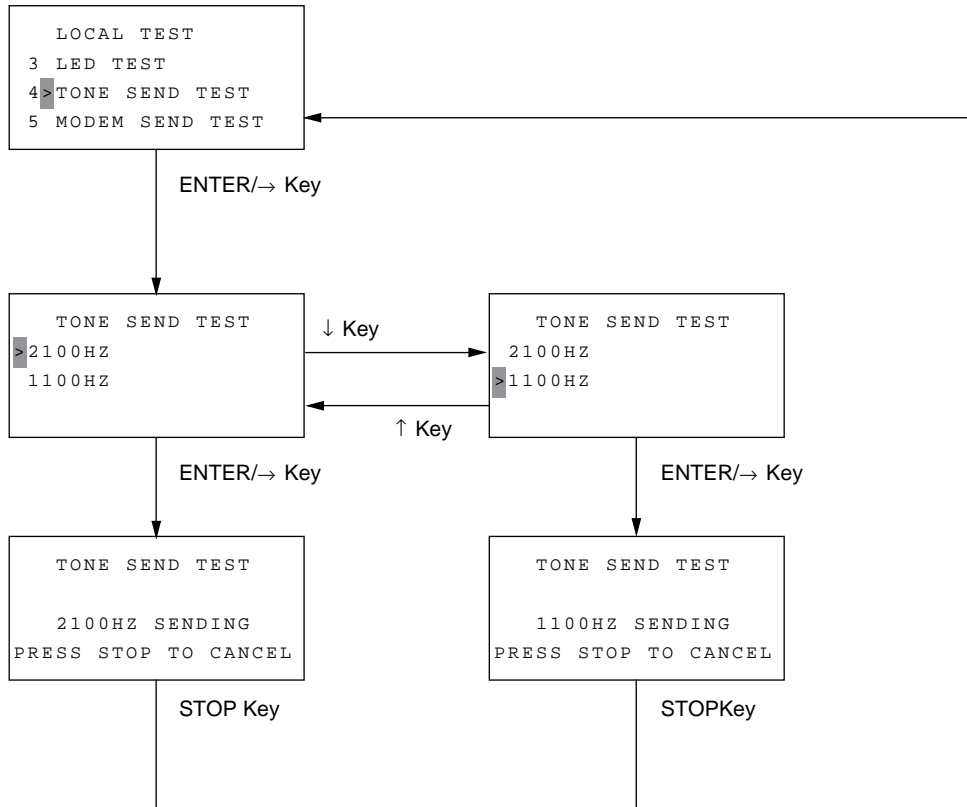
LEDs 1-9 go on/off in the above order repeatedly until the STOP key is pressed.

6.8 Tone Send Test

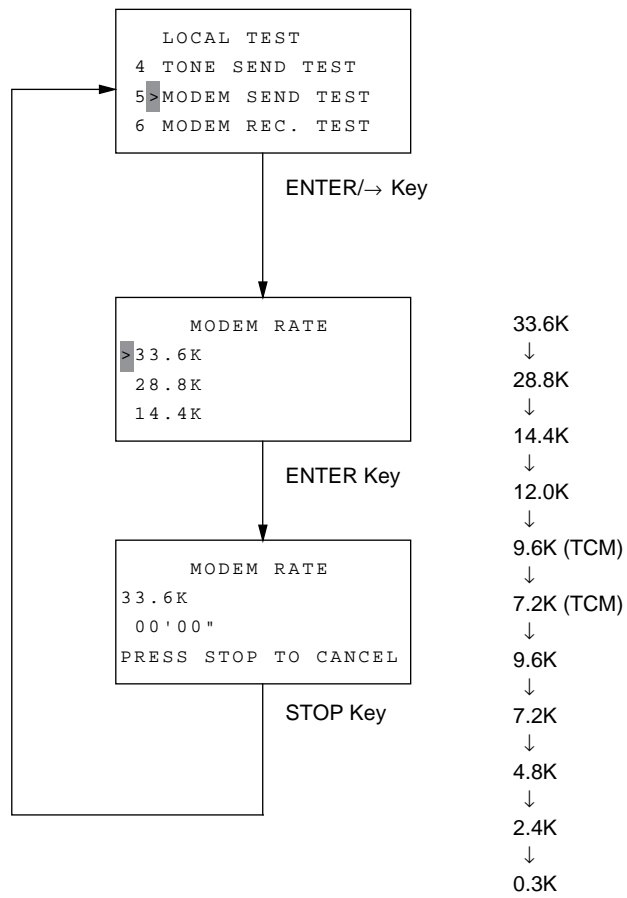
1. Purpose

To send the G3 tonal frequencies to the line.

2. Procedure



6.9 High-speed Modem Send Test

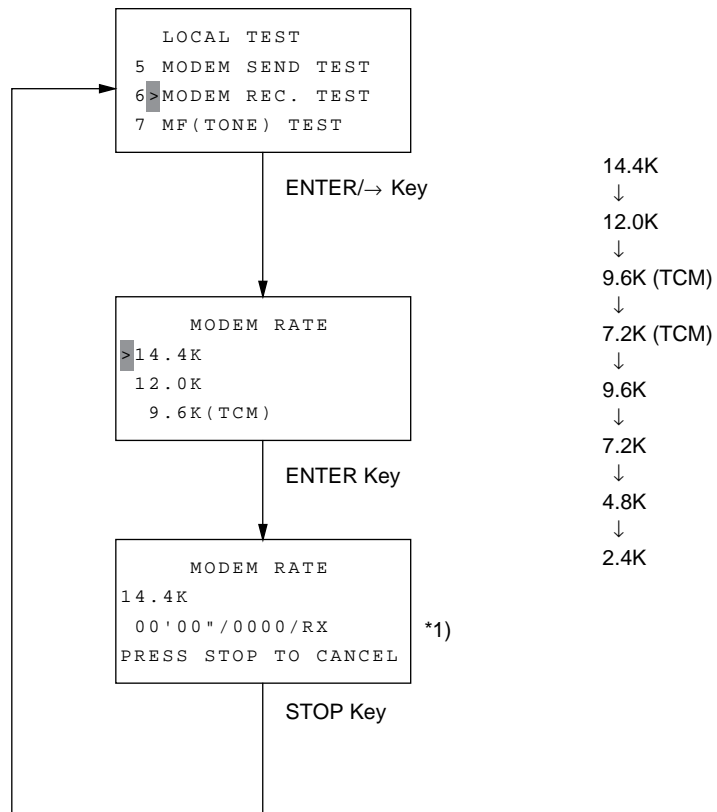


6.10 High-speed Modem Receive Test

1. Purpose

To check the telephone line quality in combination with a remote station programmed to the high-speed modem send test mode.

2. Procedure



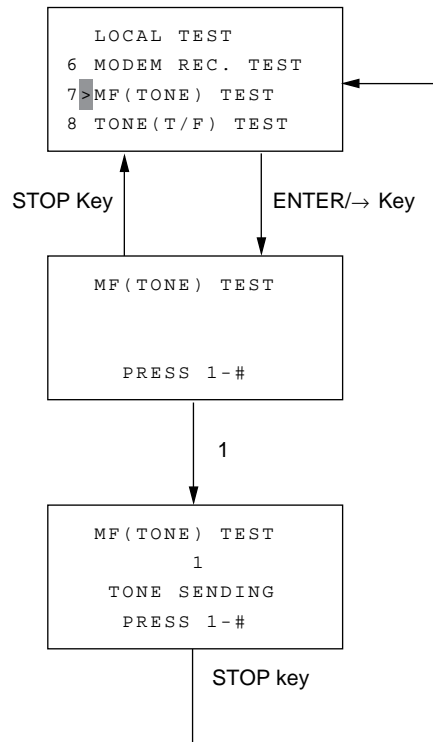
*1) "/RX" is displayed on the LCD when receiving carrier is set to ON.

6.11 MF Send Test

1. Purpose

To send the multi-frequencies of tone dialling to the line.

2. Procedure



- After the test, press STOP key.
Frequencies of MF tones are as follows:

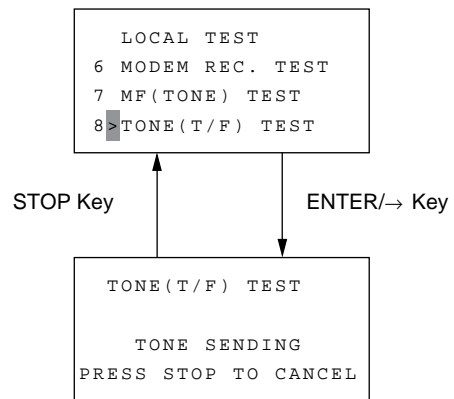
1	697 Hz/1209 Hz
2	697 Hz/1366 Hz
3	697 Hz/1477 Hz
4	770 Hz/1209 Hz
5	770 Hz/1366 Hz
6	770 Hz/1477 Hz
7	852 Hz/1209 Hz
8	852 Hz/1366 Hz
9	852 Hz/1477 Hz
0	941 Hz/1366 Hz
*	941 Hz/1209 Hz
#	941 Hz/1477 Hz

6.12 Tone (TEL/FAX)

1. Purpose

To check the pseudo-ring back tone of TEL/FAX automatic switching.

2. Procedure



6.13 Protocol Dump Data Printing

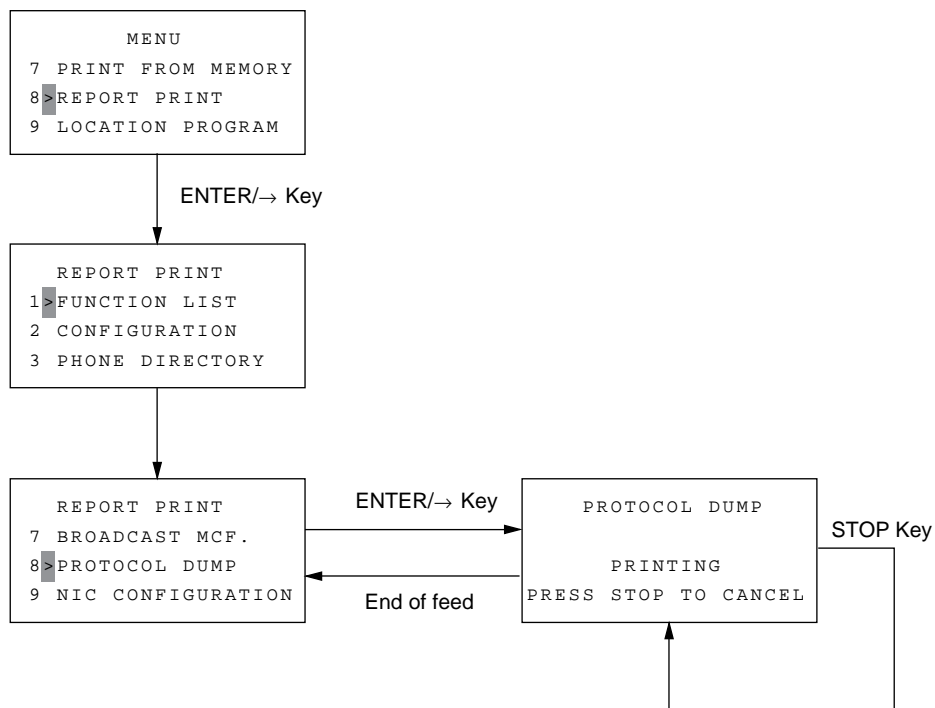
1. Purpose

To analyze the transmitted/received G3 protocol signals.

2. Procedure

- Manual print-out of the last communication.

(a) Manual print-out



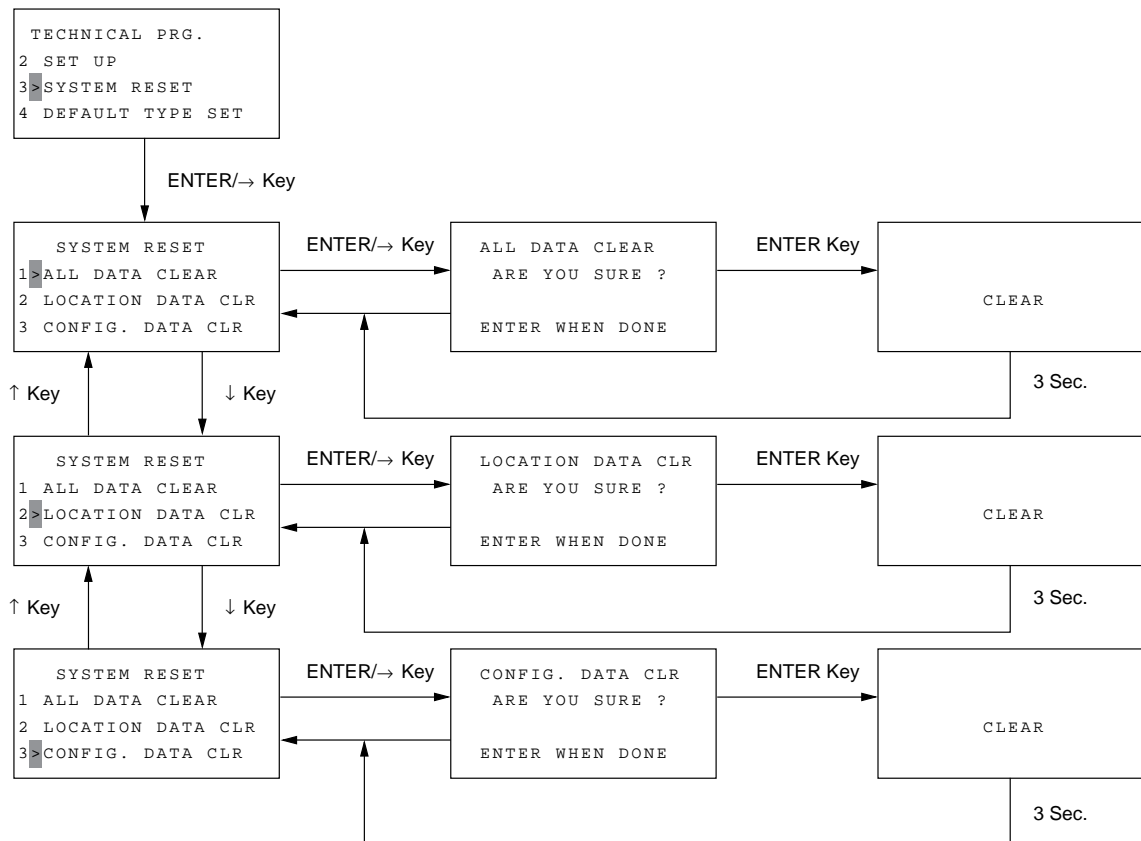
6.14 System Reset

1. Purpose

To clear or initialize the following data:

- (a) Location data
- (b) Configuration data (default)

2. Procedure



6.15 Service Codes

- 1) The service code can be printed on Activity Report to recognize the result of each communication.
- 2) The activity report indicates the code "0000", should a communication terminates on normal status as a service code.
- 3) The activity report indicates one of the codes of "90XX", should a communication terminates on abnormal status, as an error code.
- 4) Besides the above codes of "90XX", the following codes are prepared for identifying an abnormal status in details.

- 21XX: For error codes in Group 3 transmission phase B
- 29XX: For error codes in Group 3 reception phase B
- 39XX: For error codes in Group 3 reception phase C
- 41XX: For error codes in Group 3 transmission phase D
- 49XX: For error codes in Group 3 reception phase D
- 90XX: Common error codes
- AEXX: ISDN Common error codes
- BBXX: ISDN Dch layer 2
- BAXX: ISDN Dch layer 3
- BCXX: ISDN Bch layer 2
- B2XX: ISDN Bch layer 3
- B7XX: ISDN Bch layer 4
- B9XX: ISDN Bch layer 5
- B8XX: ISDN Bch layer 6

Table 6.15.1 (1/2) Service Codes List

Code	Description
0000	Successful end of communication.
1080	STOP key has been pressed while calling a remote fax.
10A2	Busy tone detected.
14C0	Dial tone not detected.
14C1	Line current not detected.
14C2	Calling-and-waiting for line connection time out.
14C3	Dialling limit time out.
21A0	Received signal other than DIS/DTC.
21A1	Contents of received DIS/DTC are faulty.
21A3	Each time there is no response from the receiver for sending TCF three times.
21A4	TCF fall back is not possible.
21A5	Received signal other than the desired signal in response to sending TCF.
21B0	Transmitter tried to transmit by confidential transmission function but the remote fax has not the capability of confidential reception.
21B1	Transmitter tried to transmit by Broadcast Initiate function but the remote fax has not the broadcast capability.
21C0	In Closed Network setting, TSI/CIG/CSI is either not received or, if received, it is not authorized one.
21E0	Contents of CM/JM are faulty at transmission side.
21E1	Phase 2 time out at transmission side.
21E2	Phase 3 time out at transmission side.
21E3	Training time out of phase B control channel at transmission side.
29B6	In Confidential Reception, the mail box specified by transmitter is not set up and open.
29C1	In closed Network setting, TSI/CSI is either not received or, if received, it is not authorized one.
29E0	Contents of CM/JM are faulty at receive side.
29E1	Phase 2 time out at receive side.
29E2	Phase 3 time out at receive side.
29E3	Training time out of phase B control channel at receive side.
39A0	The number of continuous-error lines have exceeded the specified limit.
39A1	The number of random-error lines have exceeded the specified limit.
39B0	Memory Overflow has occurred while receiving in memory.
39B1	Memory Overflow occurred during Confidential Reception.
39C0	DECODER hardware error. (cannot reproduce picture)

Table 6.15.1 (2/2) Service Codes List

Code	Description
39C1	DECODER hardware error. (cannot detect end of picture)
41A0	There was no response each time in response to the three post commands.
41A6	Received signal other than the desired signal in response to the post command.
41A9	Fall back in Phase C is not possible.
41C8	T5 time out.
41CE	Received negative signal in response to the post command.
41E0	Control chanel data. Time out in Phase D.
49CC	Received signal other than the desired signal in response to RNR.
49CD	Command not received in response to RNR.
49E0	Data time out of
49E1	Fall back in Phase C is not possible.
60A0	Broadcast completed.
6803	DCN received in response to NSF/DIS without sending a single picture.
9080	Pressed STOP key.
9081	T1 time out.
9082	T2 time out.
9083	T3 time out.
9084	No recording paper.
9087	Document jam.
9088	60-minute or 70-minute time out.
9089	Document length has exceeded its maximum limit.
908E	Recording paper jam.
9090	Received DCN.
90B1	Picture memory hash error.
90C1	Document removed prior to transmission.
90C6	Normal or error-free lines not received for 13 seconds.
90C7	Error frame protocol received.
90D4	Hardware error in transmission system. (response of modem not detected)
90D5	ENCODER error. (Picture storage fault)
90F0	Option (2'nd tray) error.
90F1	Fan motor error.
90F2	Fuser error.
90F3	Recording paper size error.
90F4	Cover open.

6.16 G4 Service Code Lists

Classification	Code	Description	Alarm	Result	Remarks
Dch layer 2	BB02	LSI NG	ON	NG	ISDN board error
	BB03	Line draw out	ON	NG	
	BB04	Link release by network	ON	NG	
	BB05	TEI release by network	ON	NG	
	BB06	TEI verification procedure failure	ON	NG	
Dch layer 3	BA01	Unallocated (unassigned) number	ON	NG	
	BA02	No route to specified transit network	ON	NG	
	BA03	No route to destination			Handling in the G3 fallback
	BA06	Channel unacceptable	ON	NG	
	BA07	Call awarded and being delivered in an established channel	ON	NG	
	BA11	User busy			Handling of the redial
	BA12	No user responding			Handling in the G3 fallback
	BA13	No answer from user (user alerted)	ON	NG	
	BA15	Call rejected	ON	NG	
	BA16	Number changed	ON	NG	
	BA1A	Non-selected user clearing	ON	NG	
	BA1B	Destination out of order	ON	NG	
	BA1C	Invalid number format	ON	NG	
	BA1D	Facility rejected	ON	NG	
	BA1E	Response to STATUS-ENQUIRY	ON	NG	
	BA1F	Normal, unspecified	ON	NG	
	BA22	No circuit/channel available			Handling of the redial
	BA26	Network out of order	ON	NG	
	BA29	Temporary failure			Handling of the redial
	BA2A	Switching equipment congestion	ON	NG	
	BA2B	Access information discarded	ON	NG	
	BA2C	Requested circuit/channel not available			Handling of the redial
	BA2F	Resources unavailable, unspecified	ON	NG	
	BA31	Quality of service unavailable	ON	NG	
	BA32	Requested facility not subscribed	ON	NG	
	BA39	Bearer capability not authorized			Handling in the G3 fallback
	BA3A	Bearer capability not presently available			Handling in the G3 fallback
	BA3F	Service or option not available, unspecified			Handling in the G3 fallback
	BA41	Bearer capability not implemented			Handling in the G3 fallback
	BA42	Channel type not implemented	ON	NG	
	BA45	Requested facility not implemented	ON	NG	
	BA46	Only restricted digital information bearer capability is available			Handling in the G3 fallback
	BA4F	Service or option not implemented, unspecified			Handling in the G3 fallback
	BA51	Invalid call reference value	ON	NG	
	BA52	Identified channel does not exist	ON	NG	
	BA53	A suspended call exists, but this call identity does not	ON	NG	
	BA54	Call identity in use	ON	NG	
	BA55	No call suspended	ON	NG	
	BA56	Call having the requested call identity has been cleared	ON	NG	
	BA58	Incompatible destination			Handling in the G3 fallback
	BA5B	Invalid transit network selection	ON	NG	
	BA5F	Invalid message, unspecified	ON	NG	
	BA60	Mandatory information element is missing	ON	NG	
BA61	Message type non-existent or not implemented	ON	NG		
BA62	Message not compatible with call state or message type non-existent or not implemented	ON	NG		
BA63	Information element non-existent or not implemented	ON	NG		

Classification	Code	Description	Alarm	Result	Remarks
	BA64	Invalid information element contents	ON	NG	
	BA65	Message not compatible with call state	ON	NG	
	BA66	Recovery on timer expiry	ON	NG	
	BA6F	Protocol error, unspecified			Handling in the G3 fallback
	BA7F	Interworking, unspecified			Handling in the G3 fallback
	BB01	CONN message wait time out	ON	NG	
	BB07	Reset request by network	ON	NG	
	Bch layer 2	BC02	N2 times time out	ON	NG
BC03		FRMR reception	ON	NG	
BC04		FRMR transmission	ON	NG	
BC05		The other party link disconnection	ON	NG	
BC08		T3 time out	ON	NG	
BD01		SABME wait time out	ON	NG	
Bch layer 3		B201	The other party terminal busy	ON	NG
	B203	Incorrect facility request	ON	NG	
	B205	Network congestion	ON	NG	
	B209	Connection impossible (failure or absent)	ON	NG	
	B210	Packet that is not adaptable to status transition (Packet level ready state)	ON	NG	
	B211	Remote procedure error	ON	NG	
	B212	Packet that is not adaptable to status transition (DTE restart request state)	ON	NG	
	B213	Local procedure error	ON	NG	
	B214	Packet that is not adaptable to status transition (Empty state)	ON	NG	
	B215	Packet that is not adaptable to status transition (CO packet wait)	ON	NG	
	B216	Packet that is not adaptable to status transition (CA packet wait)	ON	NG	
	B217	Packet that is not adaptable to status transition (During data transmission)	ON	NG	
	B218	Packet that is not adaptable to status transition (Outgoing/incoming collision)	ON	NG	
	B219	Packet that is not adaptable to status transition (CQ packet)	ON	NG	
	B221	Unallowable packet (Packet type not clear)	ON	NG	
	B222	Unallowable packet (Call by special incoming logic channel)	ON	NG	
	B226	Unallowable packet (Too short packet)	ON	NG	
	B227	Unallowable packet (Too long packet)	ON	NG	
	B229	Unallowable packet (Restart packet in which LCN or LCGN is not 0)	ON	NG	
	B22A	Unallowable packet (Packet that is not adaptable to the facility)	ON	NG	
	B231	Timer time out (CA packet wait time out)	ON	NG	
	B232	Timer time out (CF packet wait time out)	ON	NG	
	B241	Call setting problem (unallowable facility code)	ON	NG	
	B242	Call setting problem (unallowable facility parameter)	ON	NG	
	B243	Call setting problem (incoming address is invalid)	ON	NG	
	B244	Call setting problem (outgoing address is invalid)	ON	NG	
	B245	Call setting problem (invalid facility length)	ON	NG	
	B246	Call setting problem (call termination reject)	ON	NG	
	B247	Call setting problem (No empty logic channel)	ON	NG	
	B248	Call setting problem (outgoing/incoming collision)	ON	NG	
	B249	Call setting problem (overlapped facility request)	ON	NG	
	B24A	Call setting problem (address length other than zero)	ON	NG	
	B24B	Call setting problem (facility length other than zero)	ON	NG	
Bch layer 4	B702	Reception TDT length over	ON	NG	
	B703	TDT length negotiation unsuccessful	ON	NG	
	B704	Invalid block received	ON	NG	
	B705	Abnormal parameter received	ON	NG	

Classification	Code	Description	Alarm	Result	Remarks
	B706	Illegal block received	ON	NG	
	B707	TCR wait time out (T0.2 T.O)	ON	NG	
	B708	TCA wait time out (T1.1 T.O)	ON	NG	
	B709	Communication interruption due to TCC reception	ON	NG	
	B70A	Communication interruption due to TBR reception	ON	NG	
Bch layer 5	B901	Command response reception error	ON	NG	
	B902	Non-implicit command response received	ON	NG	
	B903	Lack of essential parameter	ON	NG	
	B904	Invalid parameter reception	ON	NG	
	B905	Invalid parameter value reception	ON	NG	
	B906	Window size over reception	ON	NG	
	B907	Document reference number error	ON	NG	
	B908	Length illegal	ON	NG	
	B909	Check point error	ON	NG	
	B90A	Unallowable document	ON	NG	
Bch layer 6	B801	Command response reception error	ON	NG	
	B802	Parameter reception error	ON	NG	
	B803	Negotiation unsuccessful RSSP reception	ON	NG	
	B804	Negotiation unsuccessful RSSN reception	ON	NG	
	B805	CSCC at the time when the transmission right cannot be reversed	ON	NG	
	B806	CSA reception	ON	NG	
	B809	Error recovery time out	ON	NG	
	B80A	Time out at the time of termination	ON	NG	
	B80B	Close wait time out	ON	NG	
	B80C	CSE reception before close	ON	NG	
Bch layer 7	AE01	Negotiation unsuccessful (requirement for communication with the other party FAX is not met)	ON	NG	
	AE02	Negotiation unsuccessful (only the other party standard)	ON	NG	
	AE03	The other party SUD fault	ON	NG	
	AE04	Basic terminal function unmatched	ON	NG	
	AE05	Switching type unmatched	ON	NG	
	AE06	The other party TU fault	ON	NG	

If "redial" is applicable, the redial operation is entered depending on the number of redial times.

If the redial operation cannot be entered (i.e. the number of redial times is 0 or the residual number of redial times is 0), Alarm=ON and Result=BUSY occur as with PSTN.

If "G3 fallback" is applicable, the dial operation in G3 mode is entered.

If a service code to which "G3 fallback" is applicable occurs regardless of dialing in G3 mode, a communication error is assumed and Alarm=ON and Result=NG occur.

CHAPTER 7

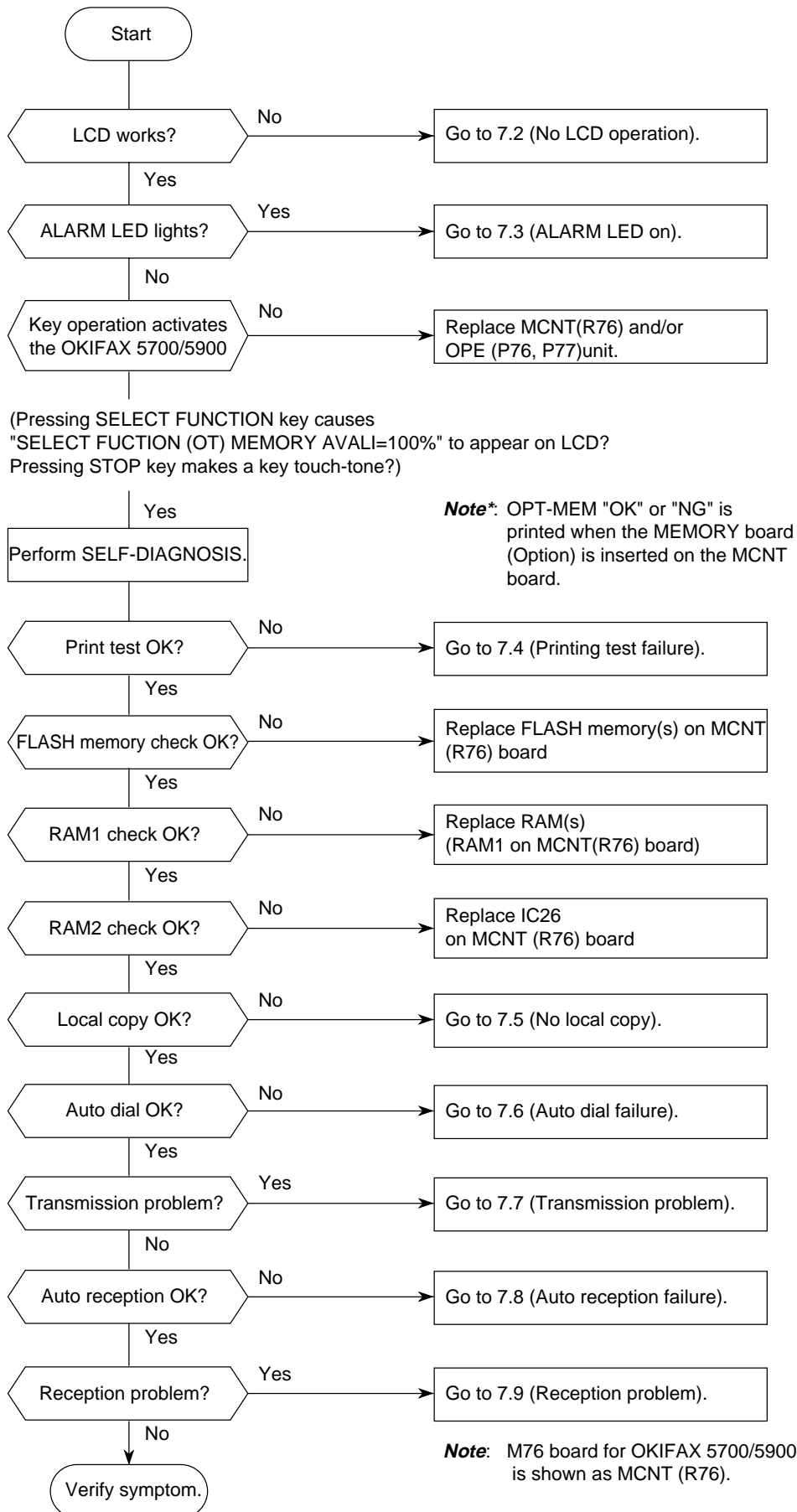
TROUBLESHOOTING AND REPAIR
FOR OKIFAX 5700/5900

This chapter contains:

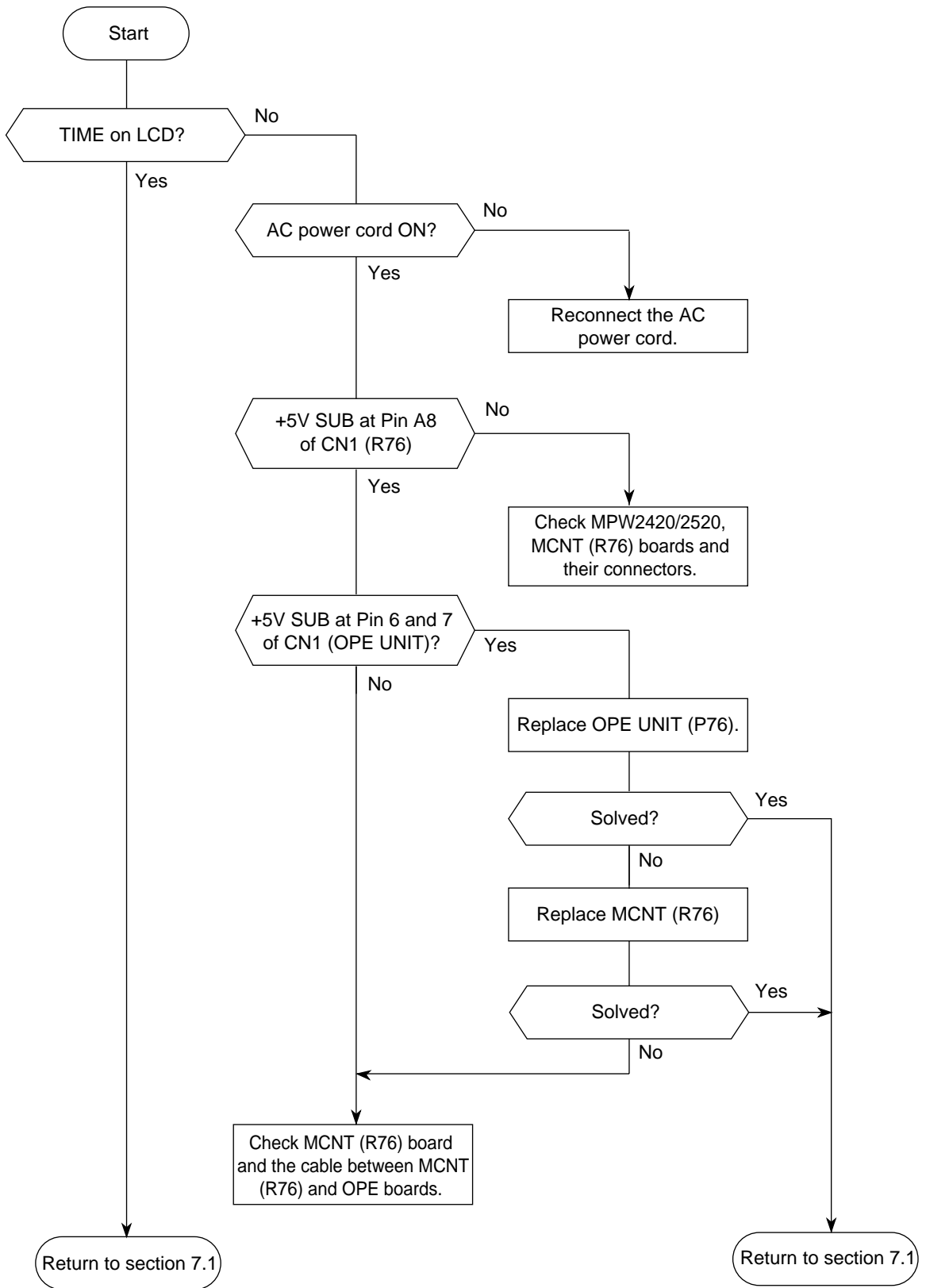
- (a) Troubleshooting flow charts related to general operations
- (b) Troubleshooting flow charts by test operations
- (c) Troubleshooting flow charts placing an emphasis on mechanical portions

Section No.	Name of Flow Chart	(a)	(b)	(c)	Page
7.1	Overall troubleshooting flow chart	v	v		7-2
7.2	No LCD operation	v			7-3
7.3	ALARM LED on	v			7-4
7.4	Printing test failure	v	v		7-5
7.5	No local copy	v	v		7-6
7.6	Auto dial failure	v			7-7
7.7	Transmission problem	v			7-8
7.8	Auto reception failure	v			7-10
7.9	Reception problem	v			7-11
7.10	Sensor calibration test		v		7-13
7.11	LED test		v		7-14
7.12	Tone send test		v		7-15
7.13	High-speed modem test		v		7-16
7.14	MF (Tone) send test		v		7-18
7.15	Tone (TEL/FAX) send test		v		7-19
7.16	No acoustic line monitor	v			7-20
7.17	Power supply unit	v			7-21
7.18	No document feeding			v	7-31
7.19	Multiple document feeding			v	7-32
7.20	Document skew			v	7-33
7.21	Document jam			v	7-35
7.22	Printer unit				7-36

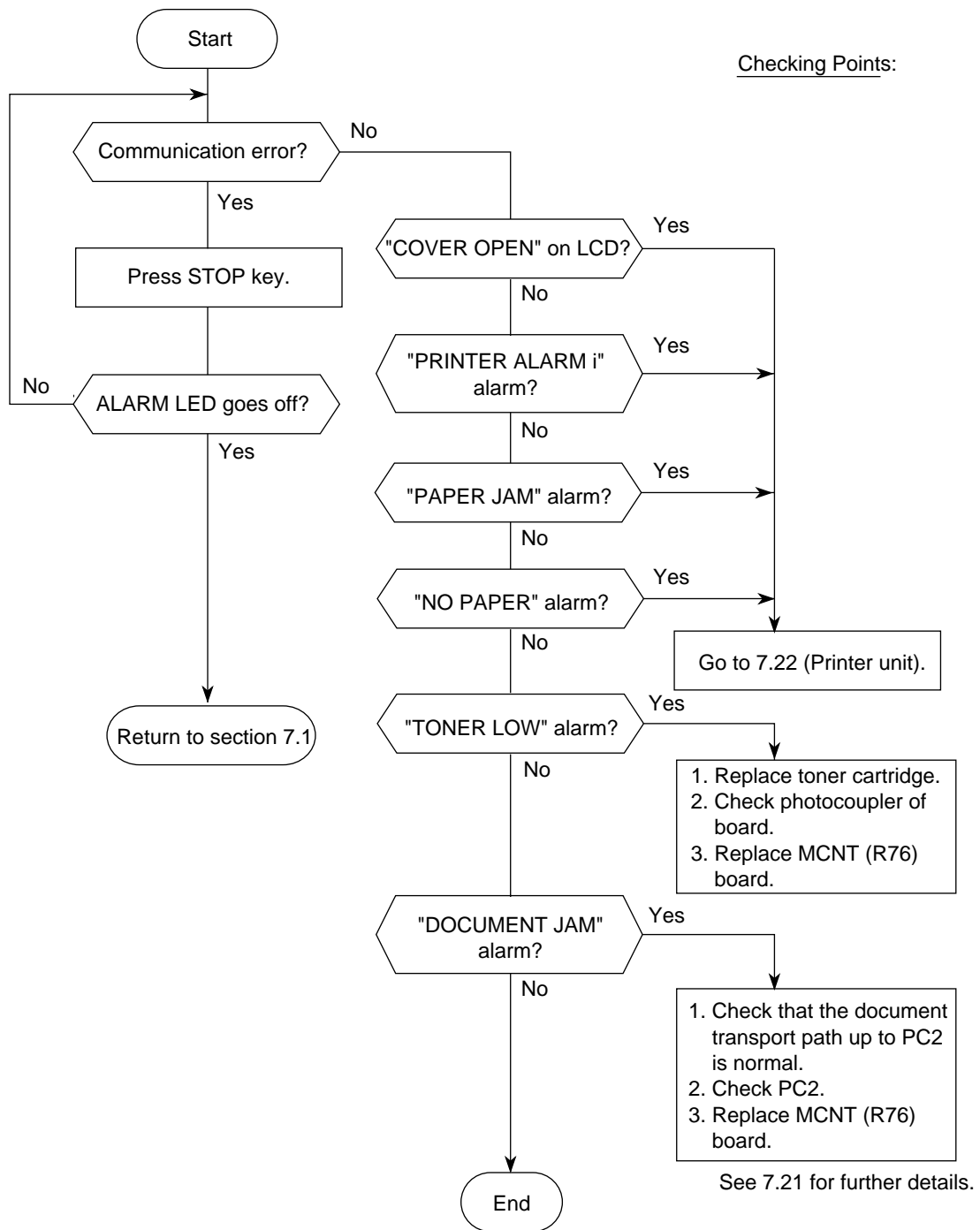
7.1 Overall Troubleshooting Flow Chart



7.2 No LCD Operation

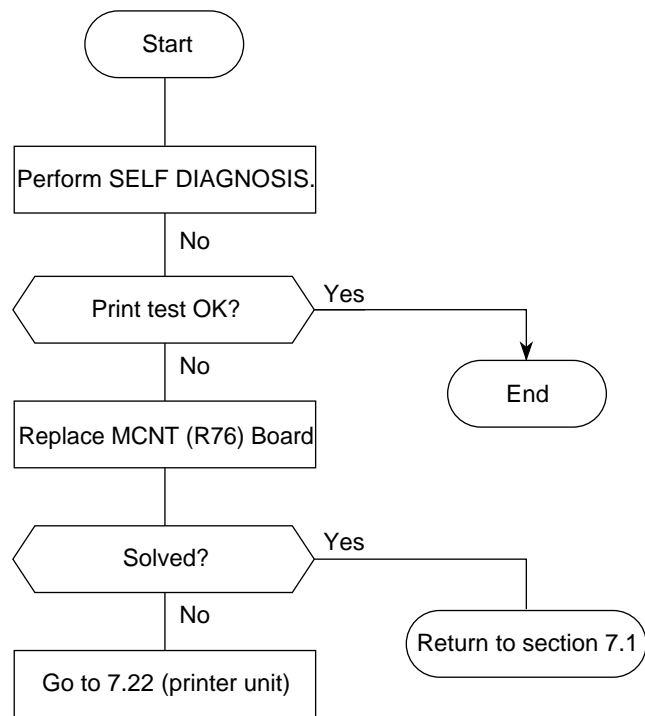


7.3 Alarm LED On

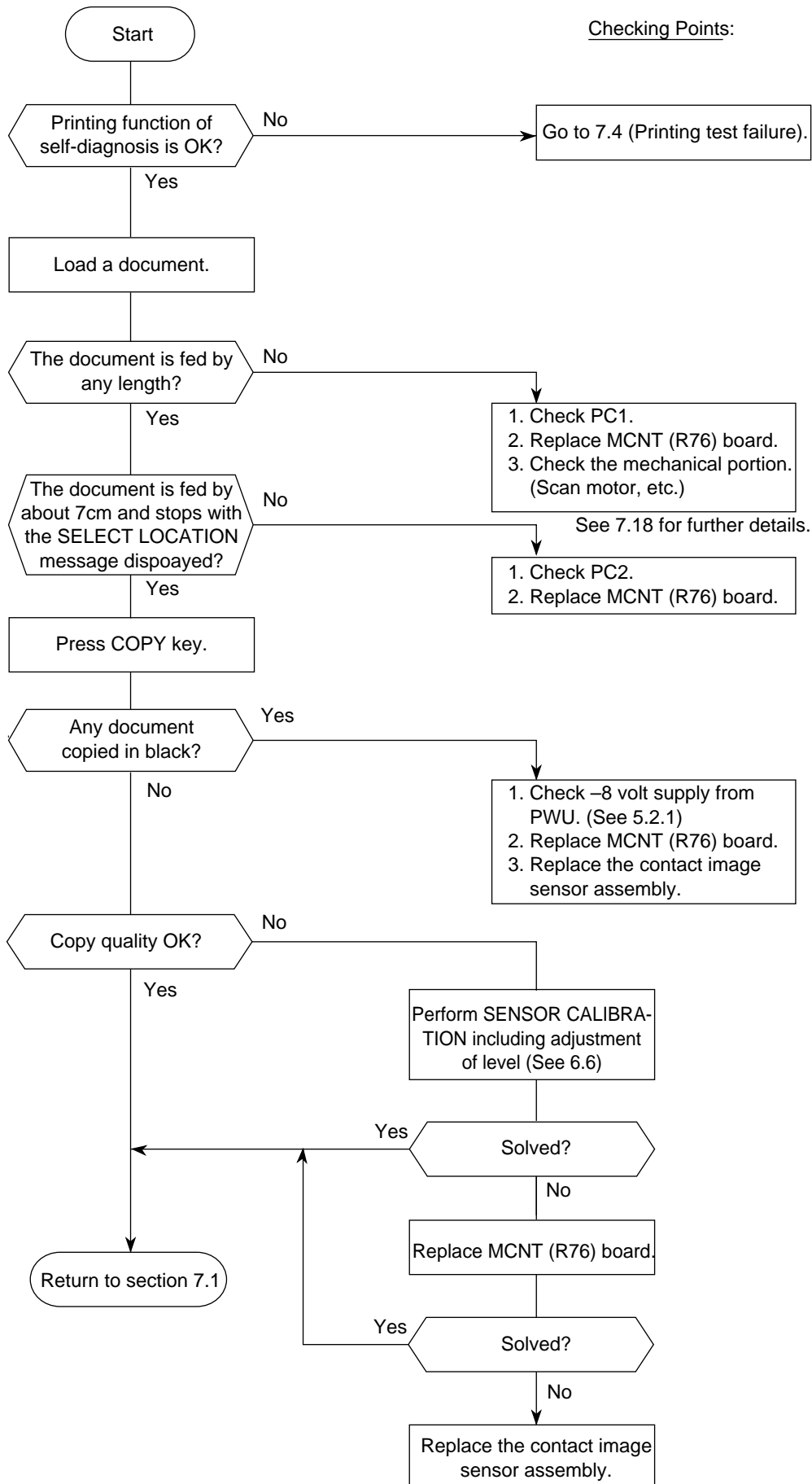


Note*: "PRINTER ALARM i" will be shown as follows:
PRINTER ALARM 2 and PRINTER ALARM 4.

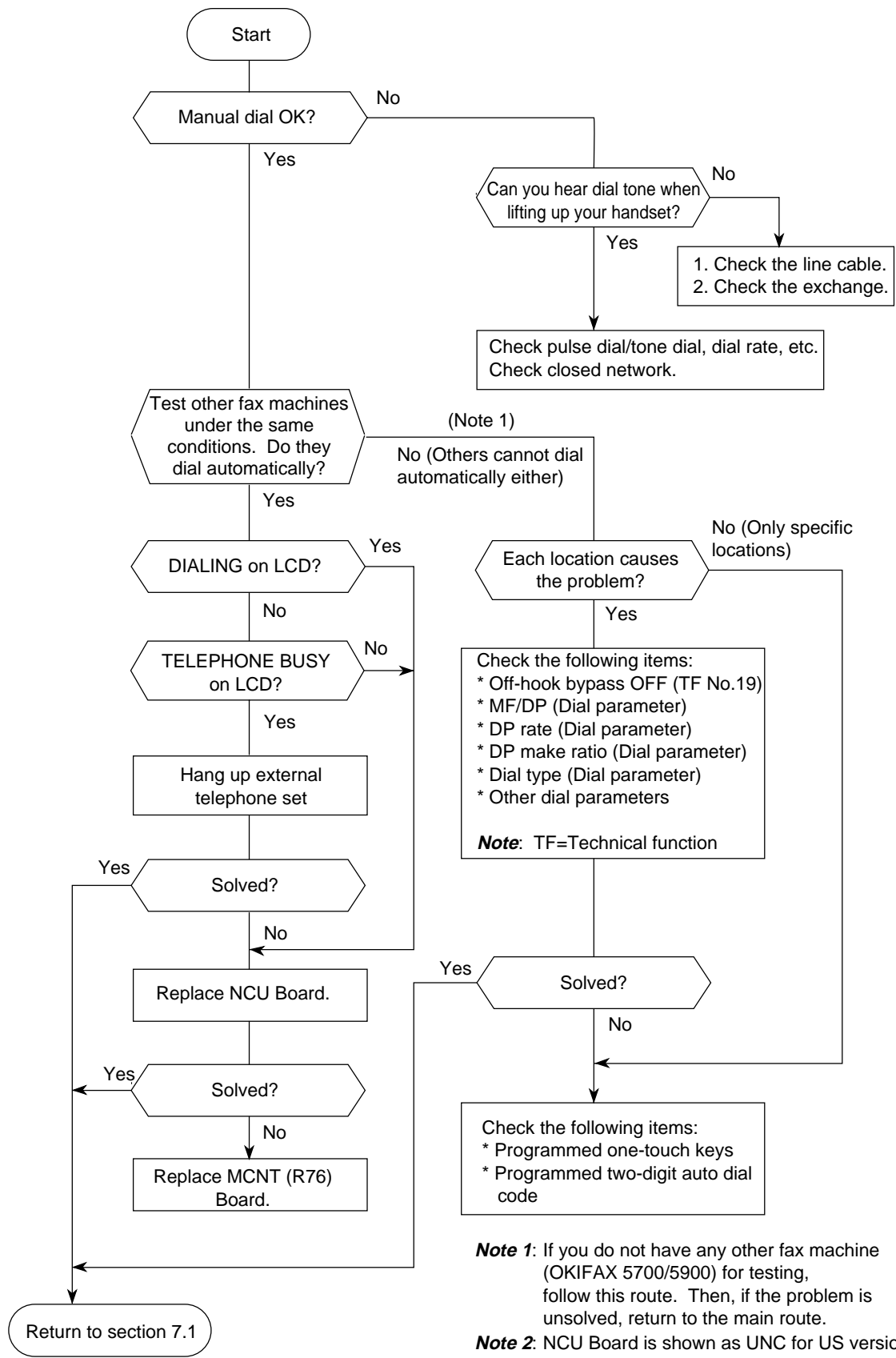
7.4 Printing Test Failure



7.5 No Local Copy



7.6 AutoDial Failure

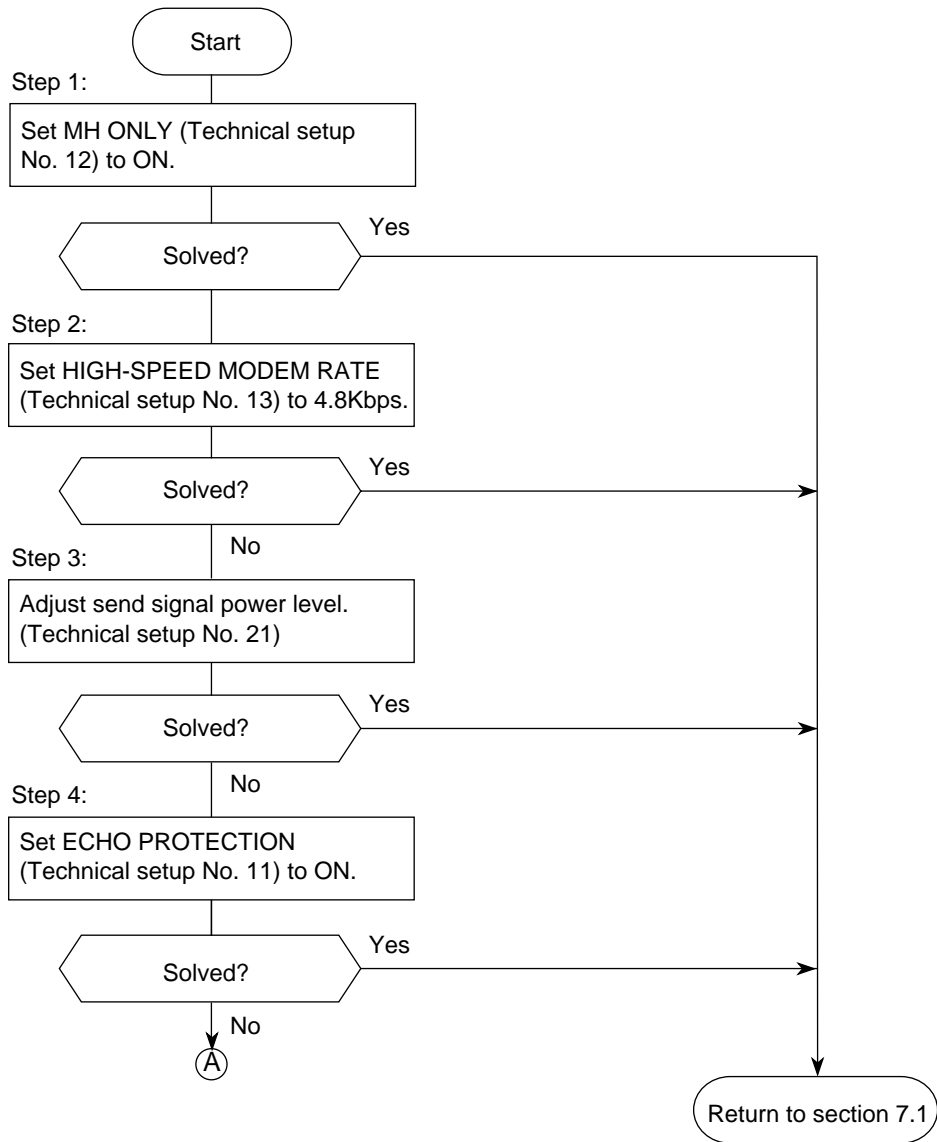


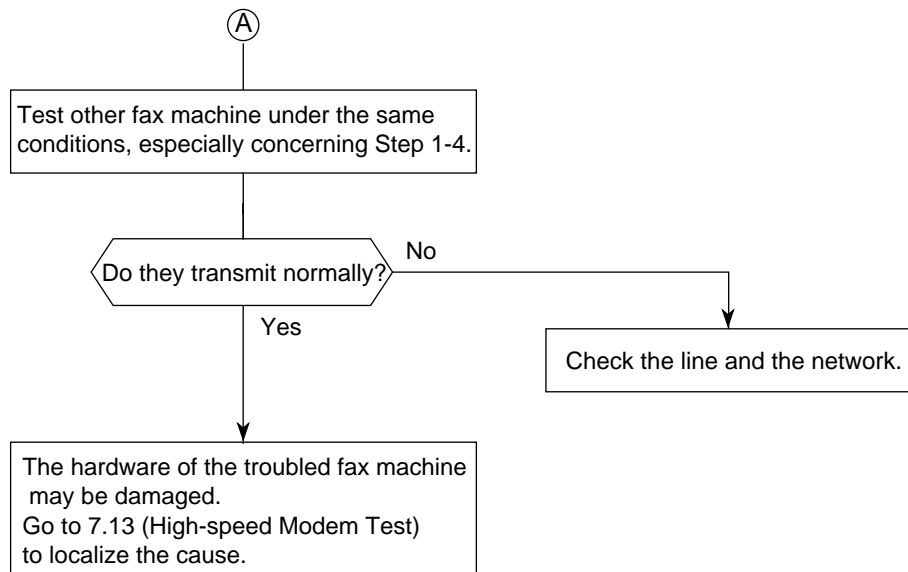
Note 1: If you do not have any other fax machine (OKIFAX 5700/5900) for testing, follow this route. Then, if the problem is unsolved, return to the main route.

Note 2: NCU Board is shown as UNC for US version, WN5 for INT'L version, DN5 for FTZ version and FN5 for France, and UK version.

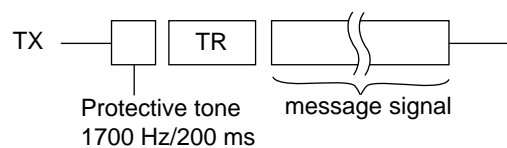
7.7 Transmission Problem

This section explains how to localize the cause of problems occurred after completion of connection with a remote station.

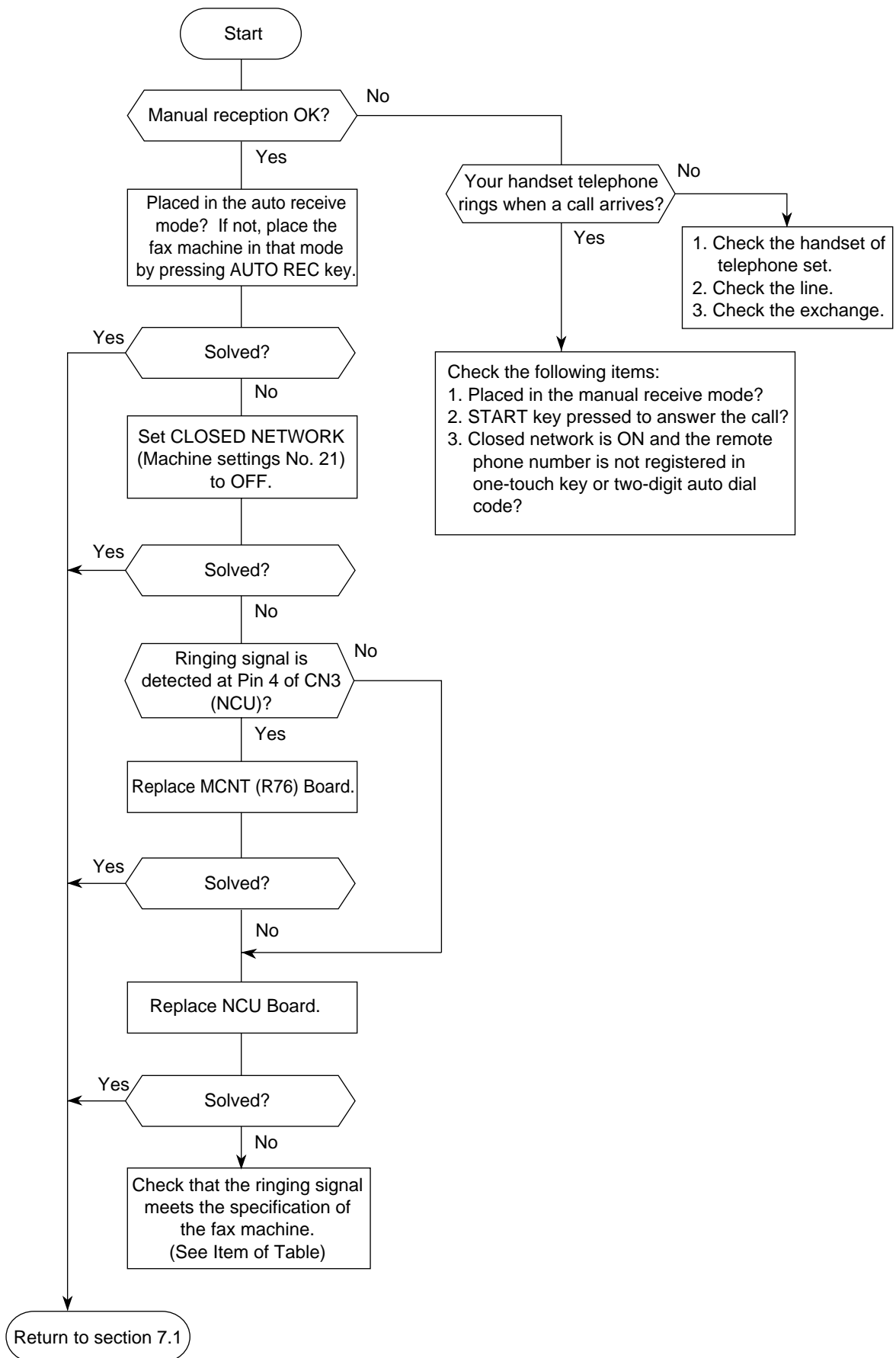




Description: Protective tone is 1700 Hz/200 ms.
 This signal is added to training signal to protect the training signal against echo as follows.

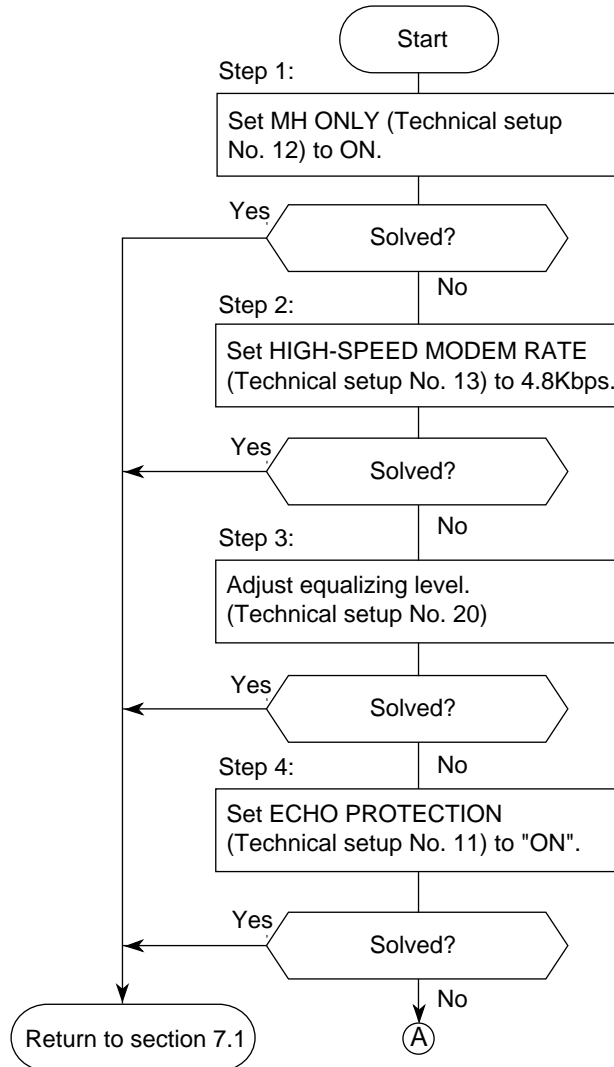


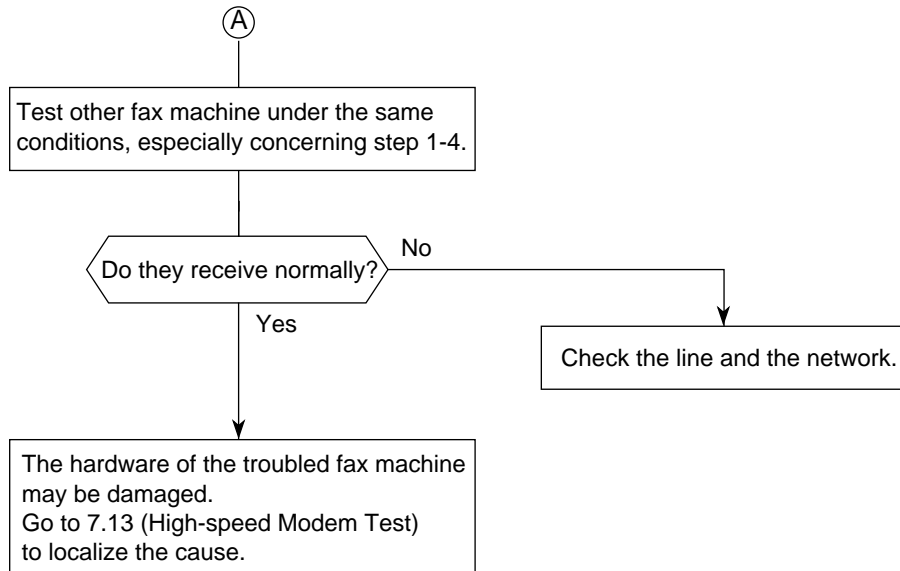
7.8 Auto Reception Failure



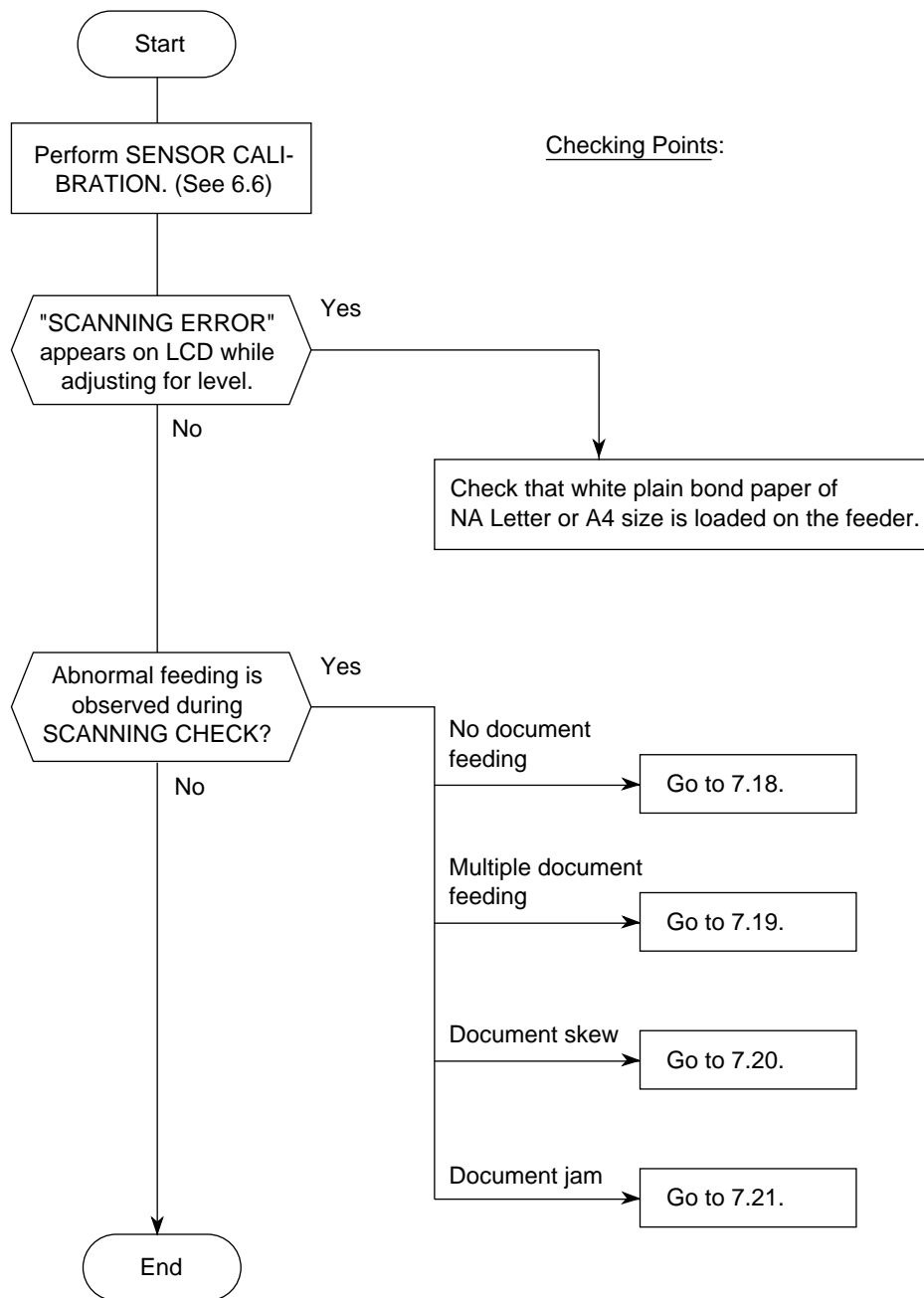
7.9 Reception Problem

This section explains how to localize the cause of problems occurred after completion of connection with a remote station.





7.10 Sensor Calibration Test



Checking Points:

Check that white plain bond paper of NA Letter or A4 size is loaded on the feeder.

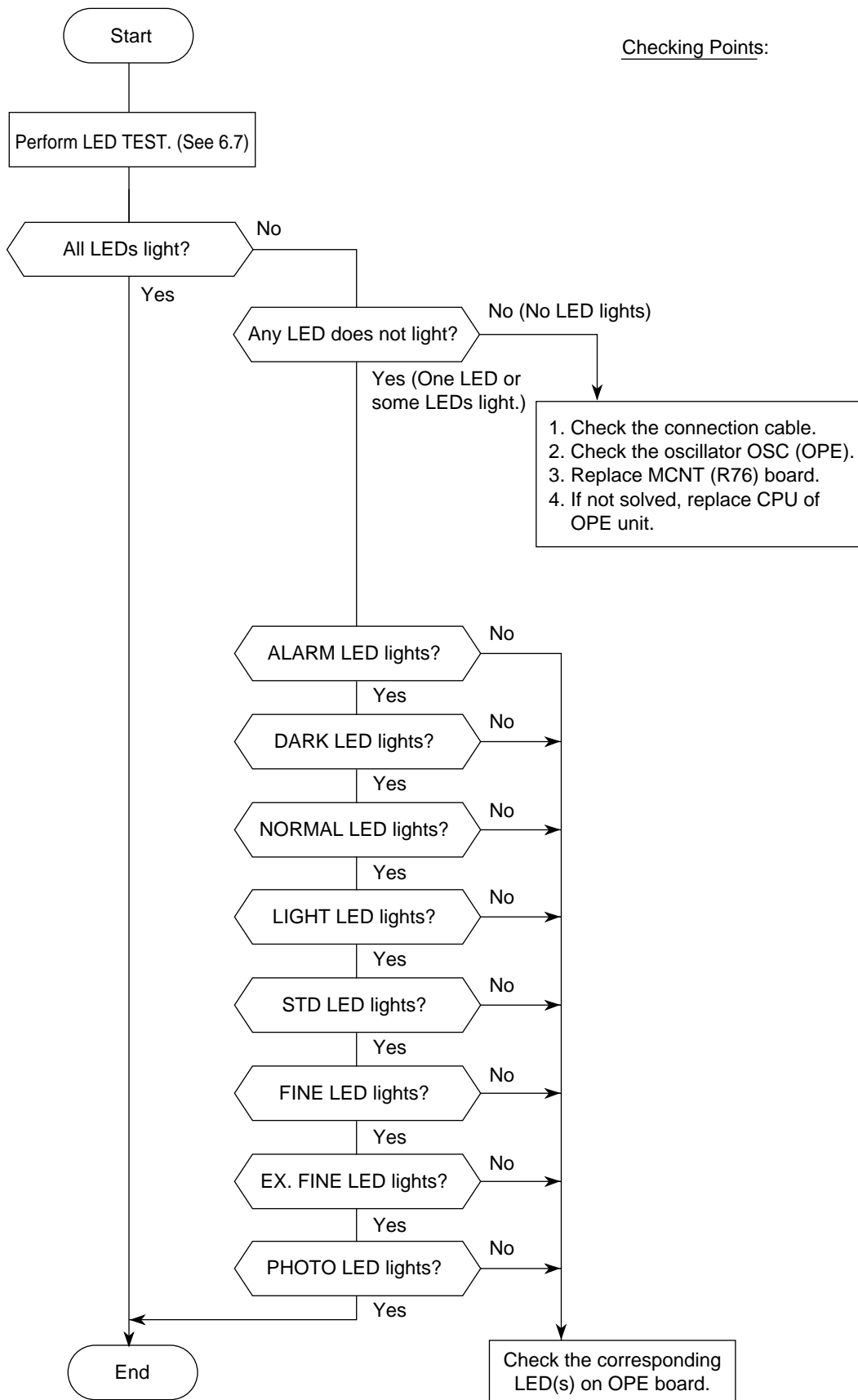
Go to 7.18.

Go to 7.19.

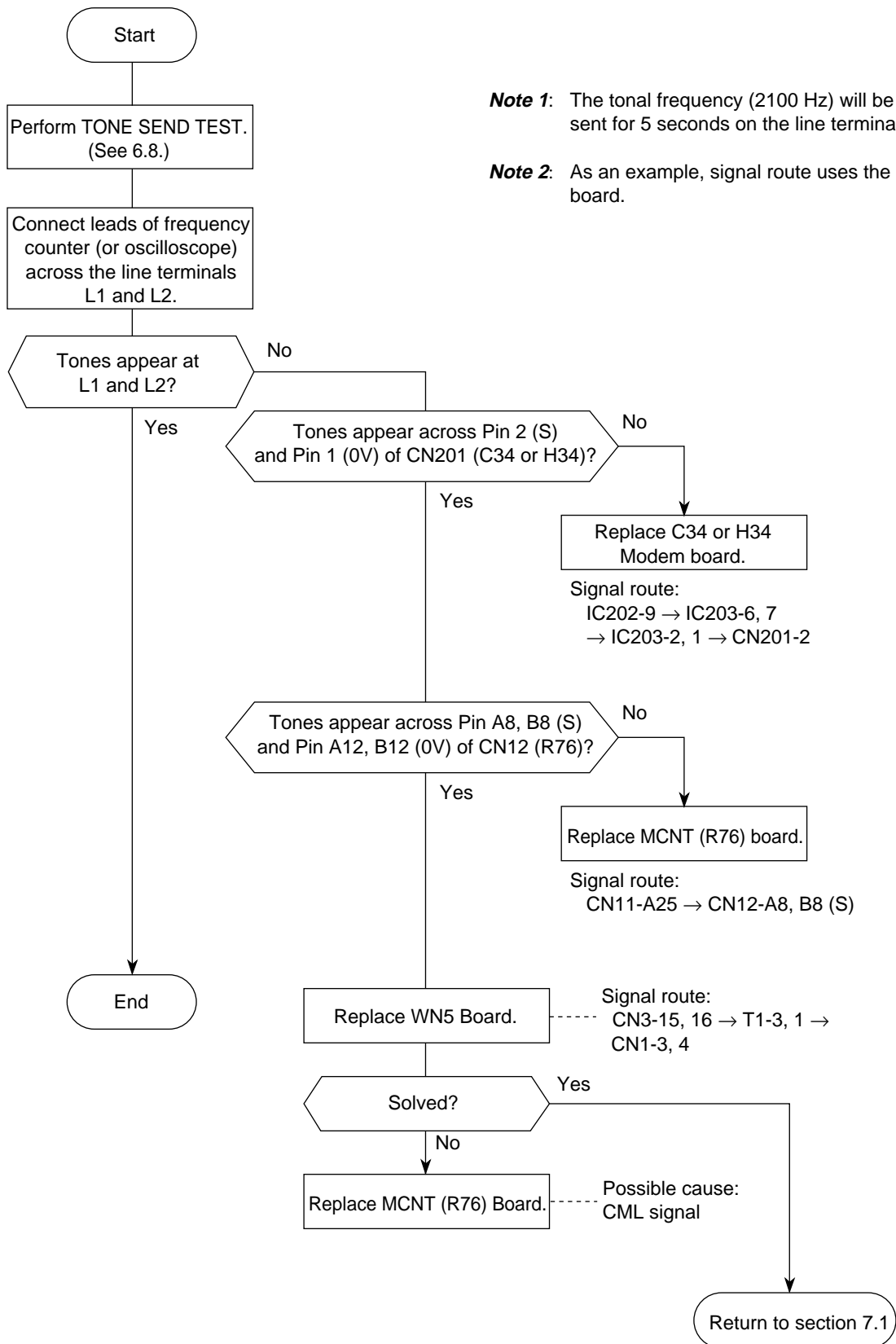
Go to 7.20.

Go to 7.21.

7.11 LED Test



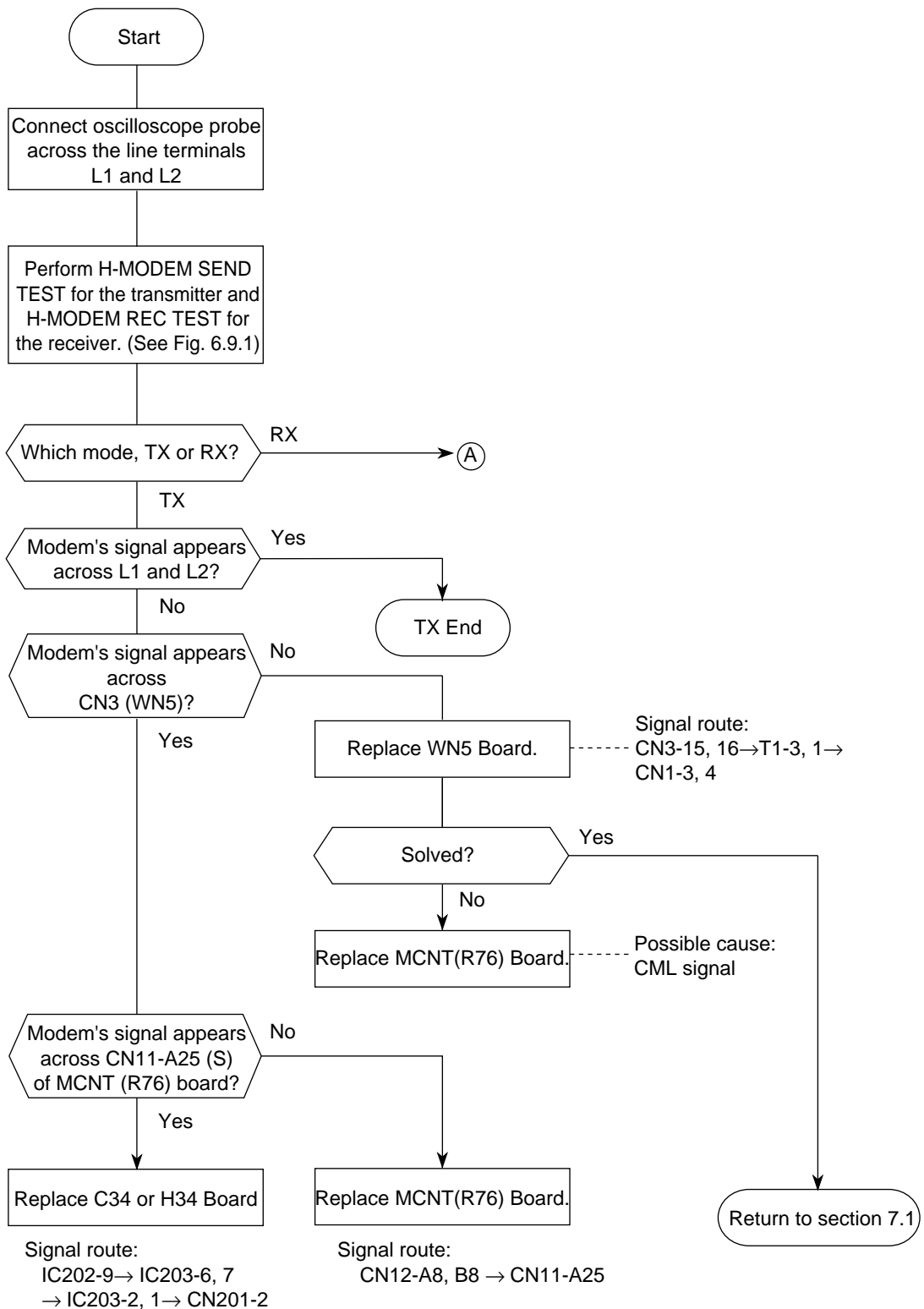
7.12 Tone Send Test

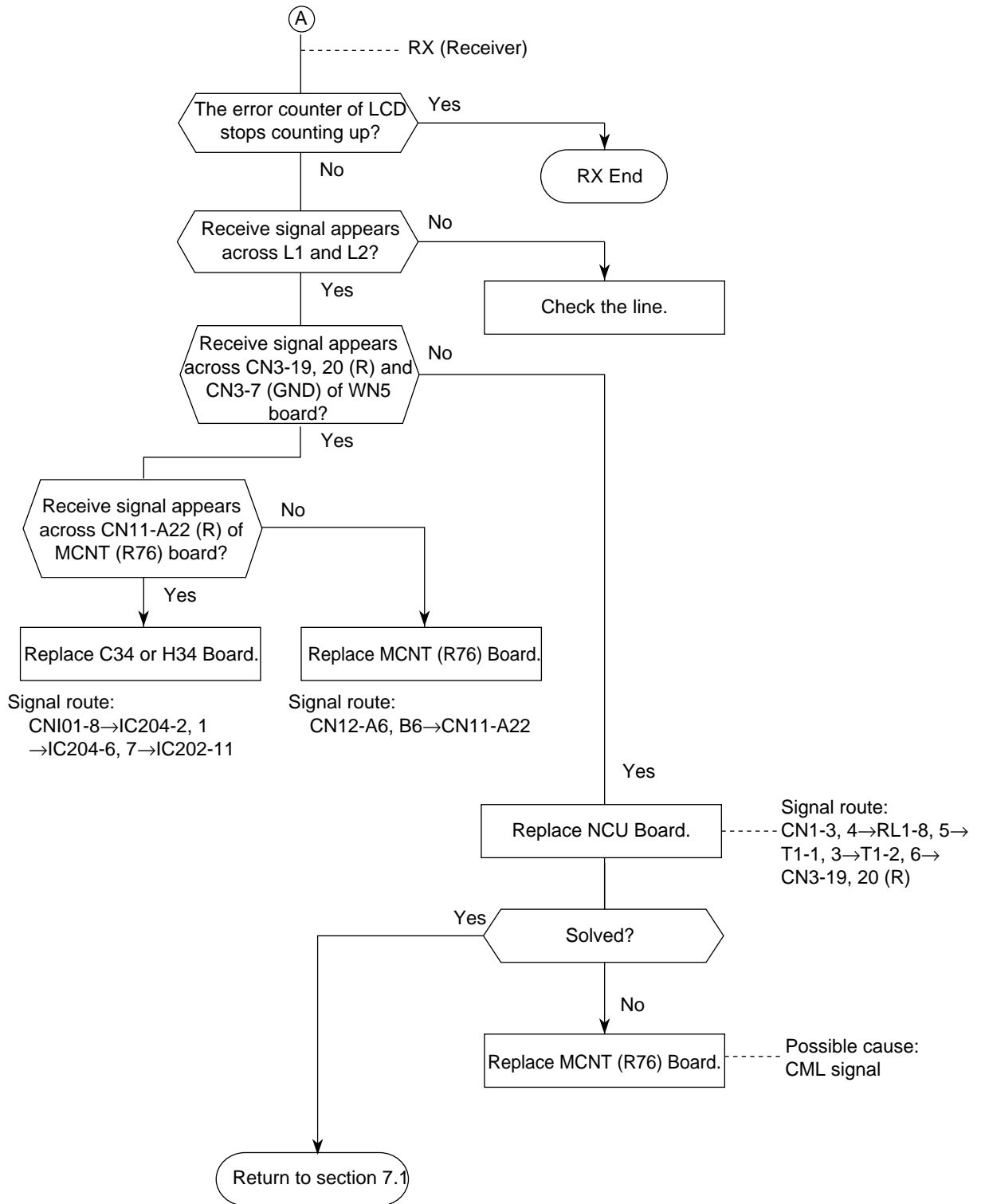


Note 1: The tonal frequency (2100 Hz) will be sequentially sent for 5 seconds on the line terminals L1 and L2.

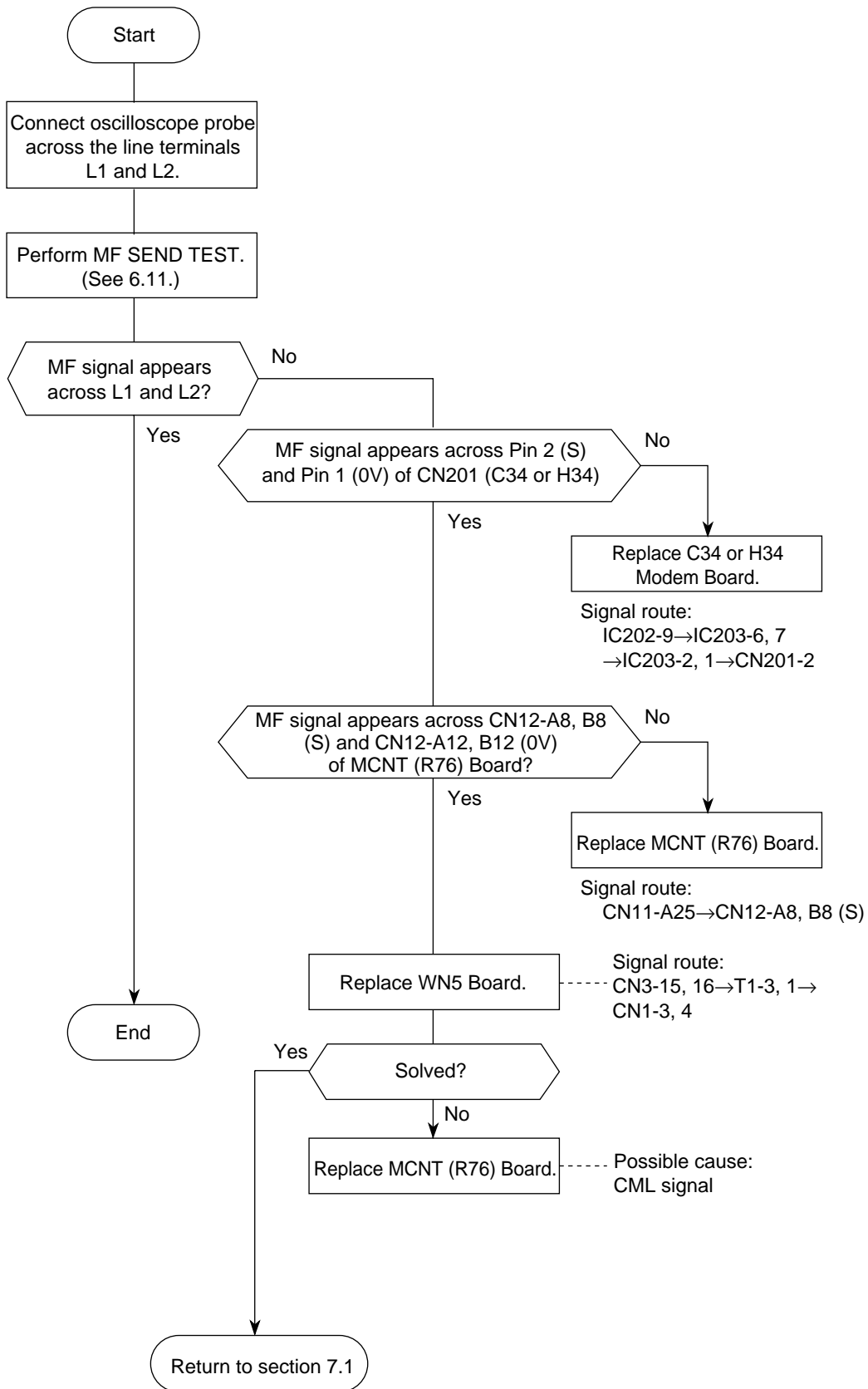
Note 2: As an example, signal route uses the WN5 (NCU) board.

7.13 High-speed Modem Test

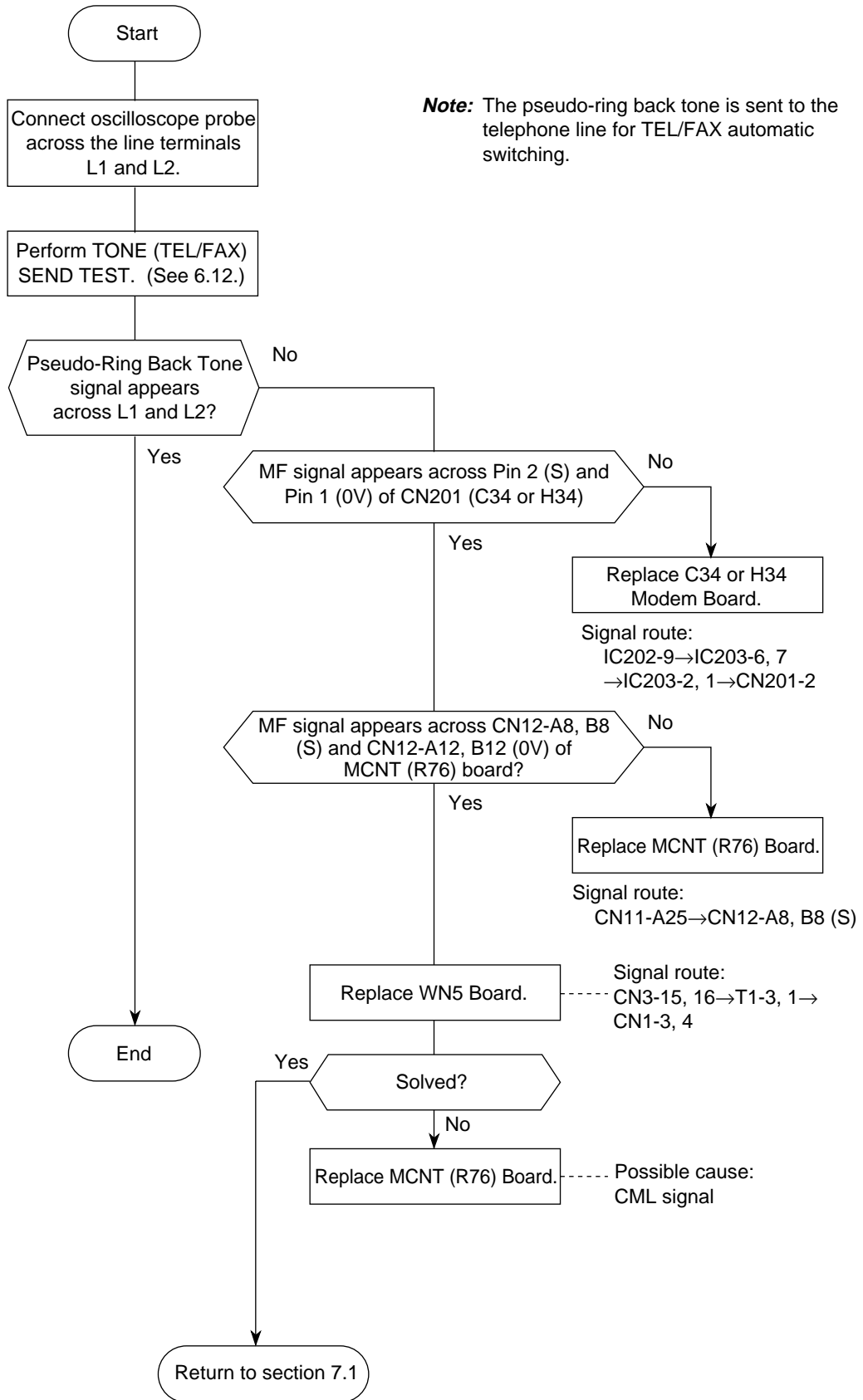




7.14 MF Send Test



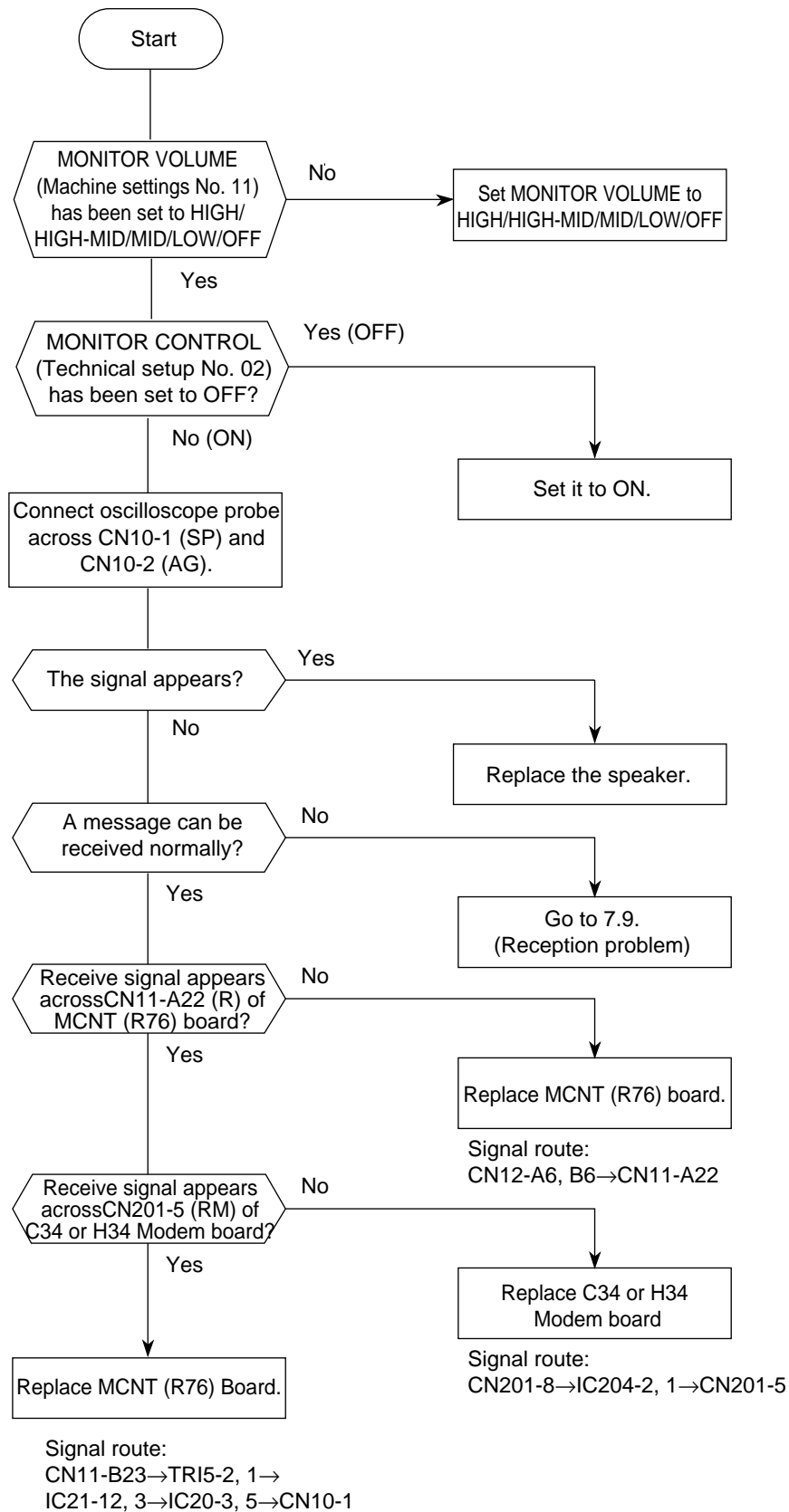
7.15 Tone (TEL/FAX) Send Test



7.16 No Acoustic Line Monitor

There are two source routes of acoustic line monitor:

- (a) General communication signal
- (b) DP pulse signal



7.17 Power Supply Unit

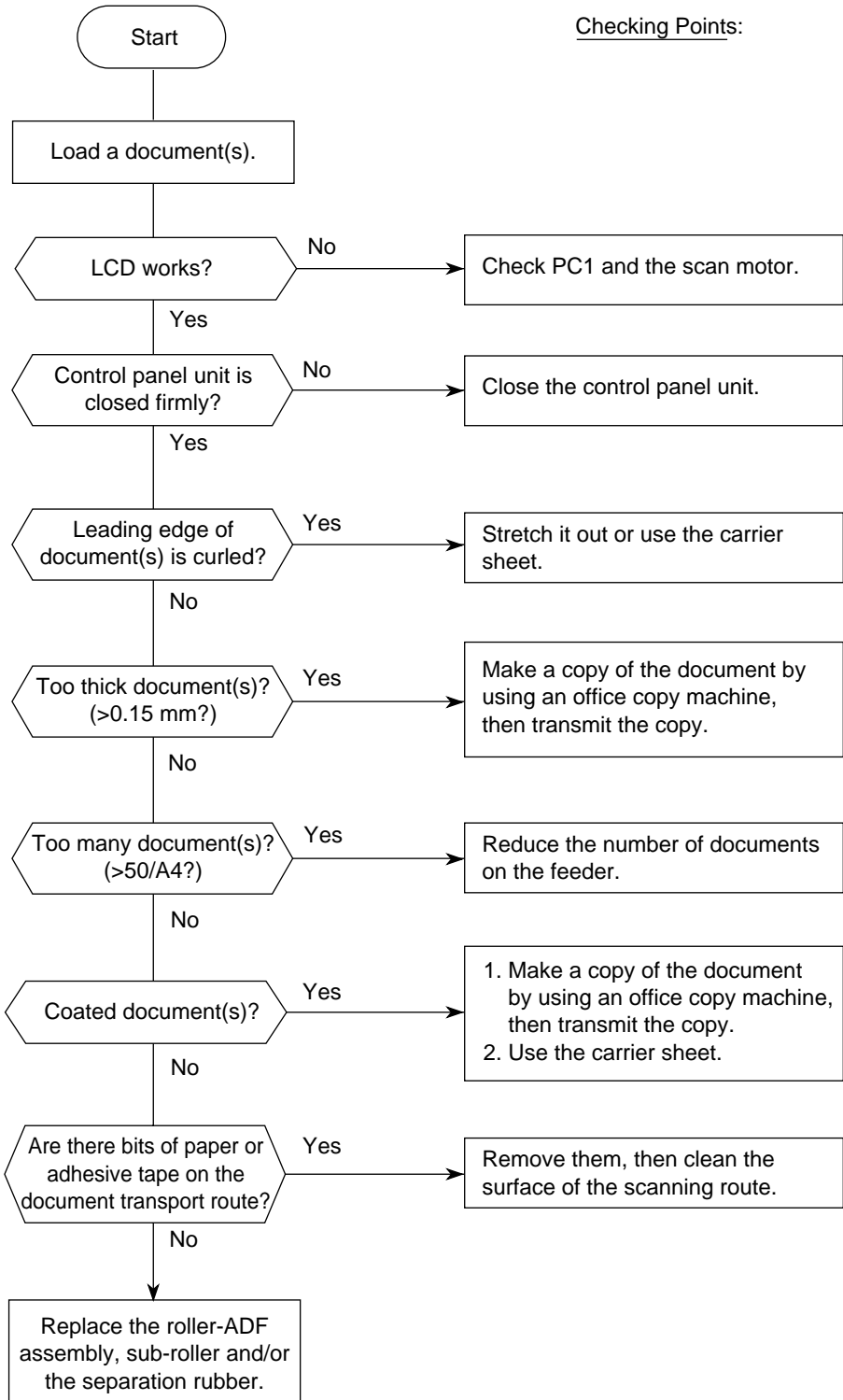
(A) Low-voltage Selection

Replace the Power Supply Unit when output voltage written on the item A3 in the Appendix A is not normal.

(B) High-voltage Selection (H10 board)

7.18 No Document Feeding

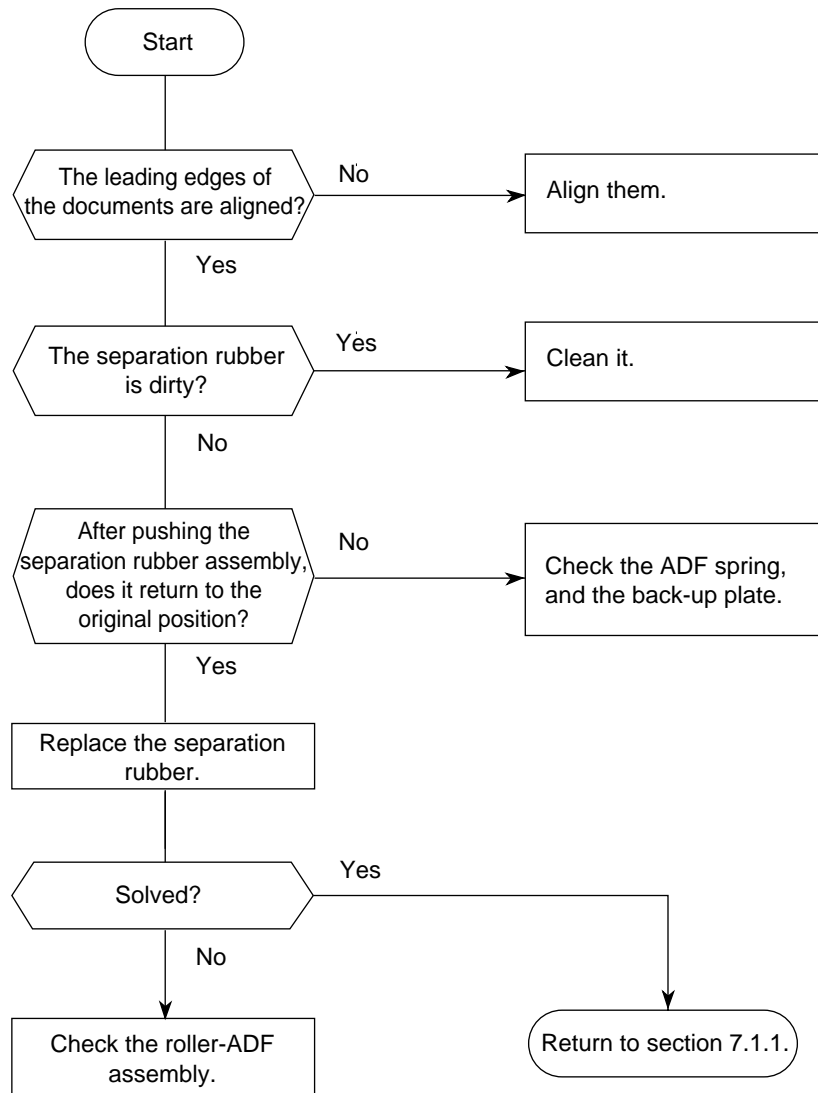
Note: This section places an emphasis on troubleshooting of mechanical portions. Therefore, it is recommended to replace the MCNT (R76) Board first and, then if not solved, follow this flow chart.



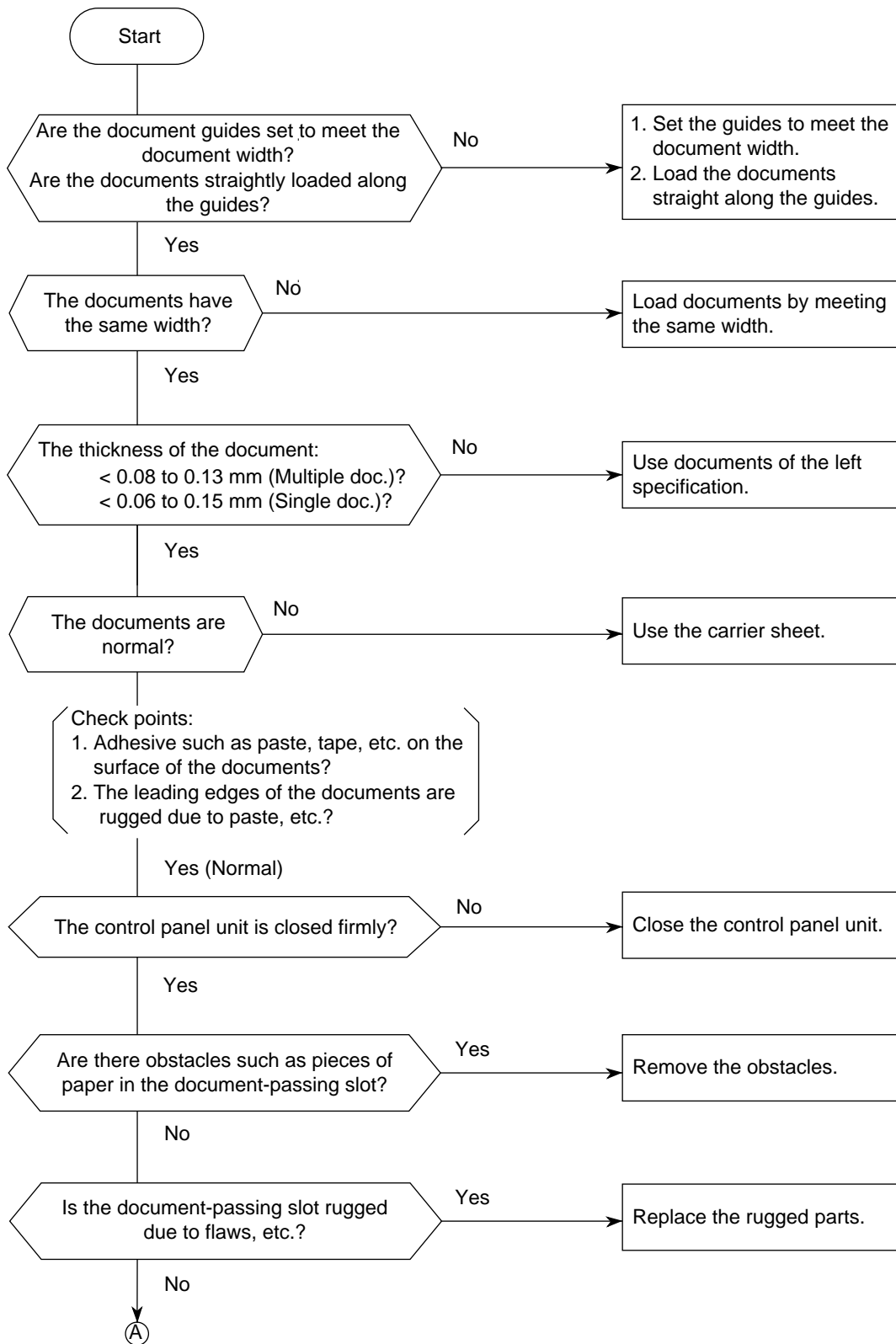
7.19 Multiple Document Feeding

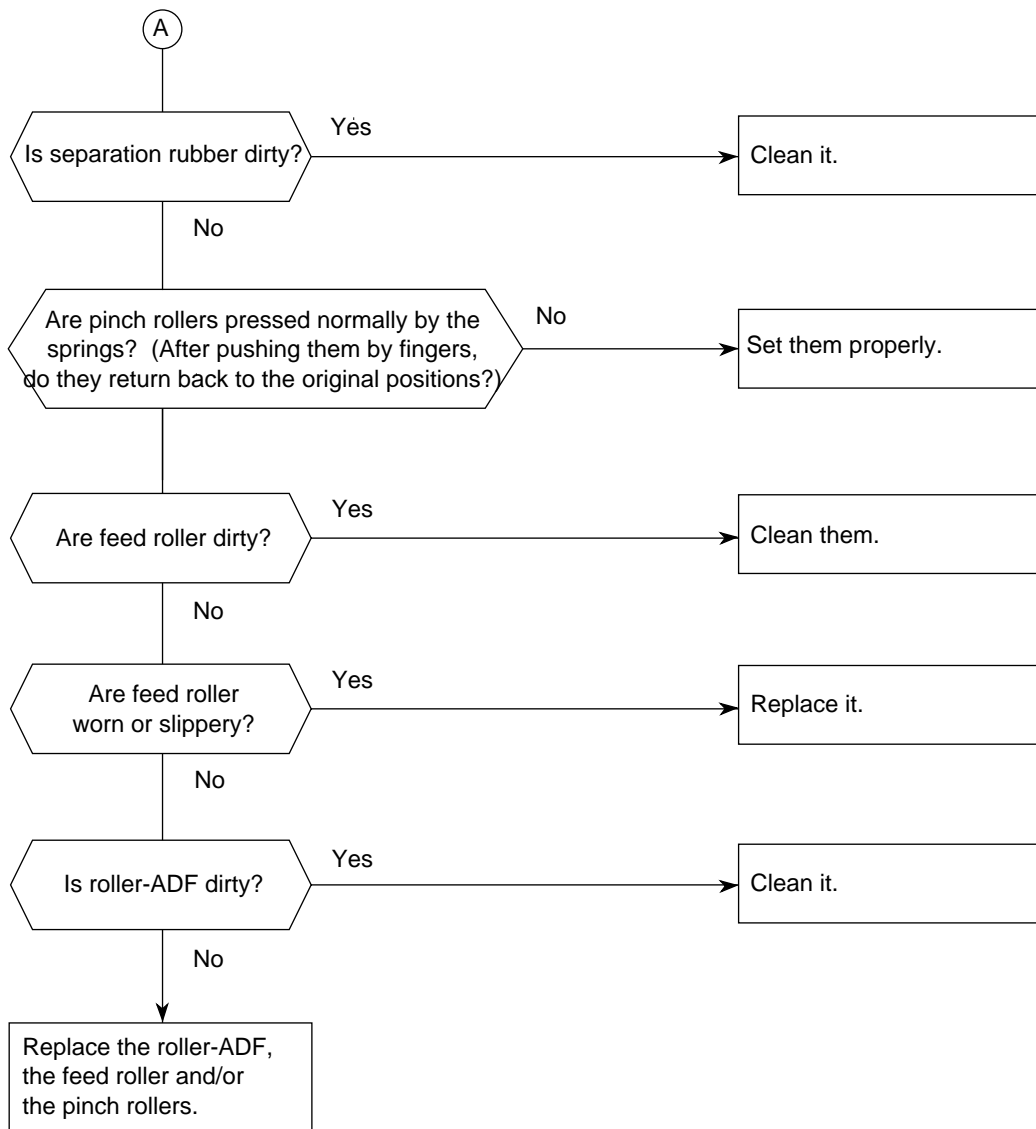
Definition: Multiple document feeding.

Multiple documents are not separated and they are fed in the same one feeding operation.

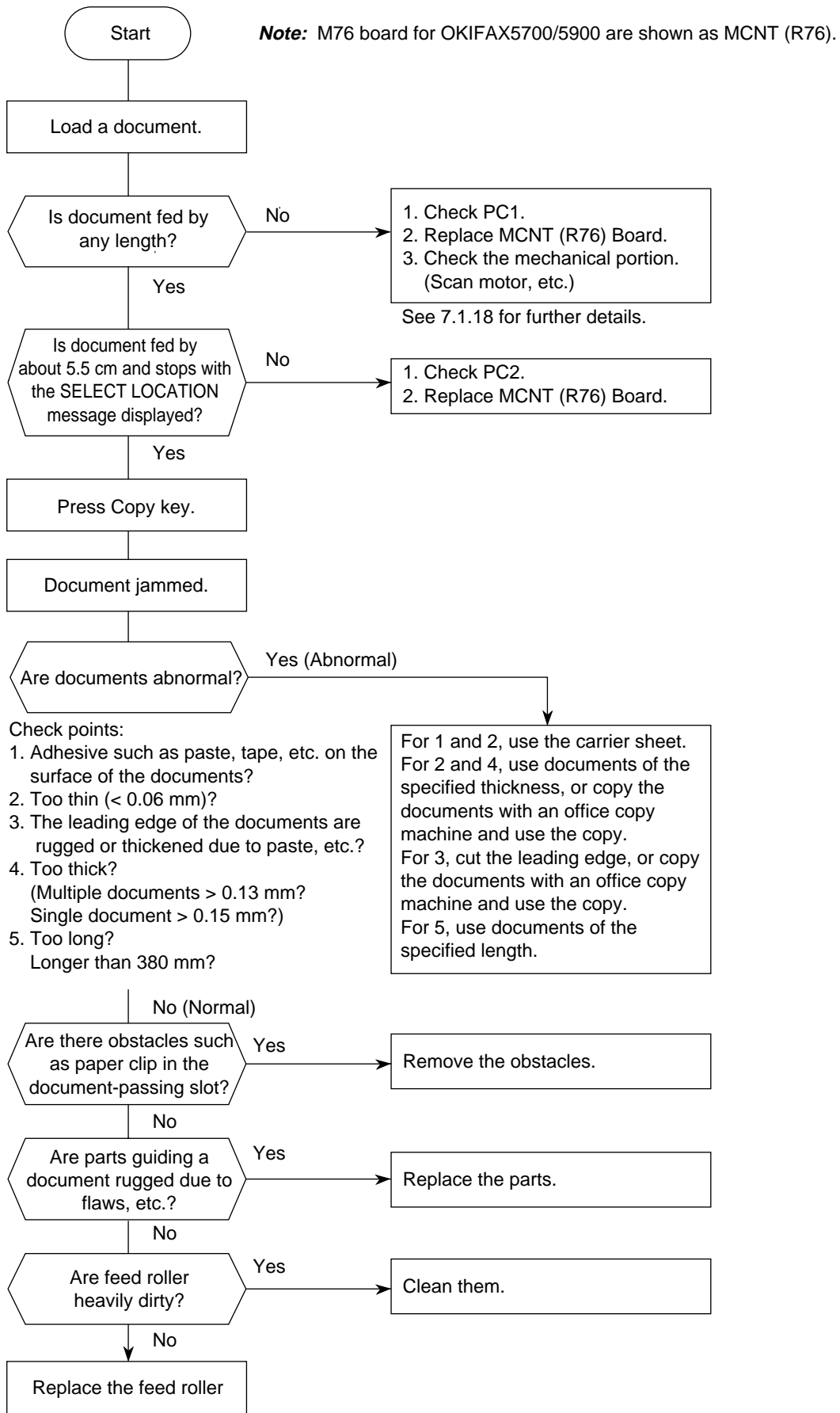


7.20 Document Skew





7.21 Document Jam



7.22 PrinterUnit

7.22.1 Precautions

1. Points to check before correcting image troubles
 - (1) Is the printer being run in proper ambient conditions?
 - (2) Have the supplies (toner) and the routine replacement part (ID unit) been replaced properly?
 - (3) Is the recording paper normal?
 - (4) Has the ID unit been loaded properly?

2. Tips for correcting image troubles
 - (1) Do not touch, or bring foreign matter into contact with the surface of the drum.
 - (2) Do not expose the drum to direct sunlight.
 - (3) Keep hands off the fuser unit as it is heated during operation.
 - (4) Do not expose the drum to light for longer than 5 minutes at room temperature.

7.22.2 Troubleshooting Flow Charts of Printer Unit

Overall troubleshooting flow chart:

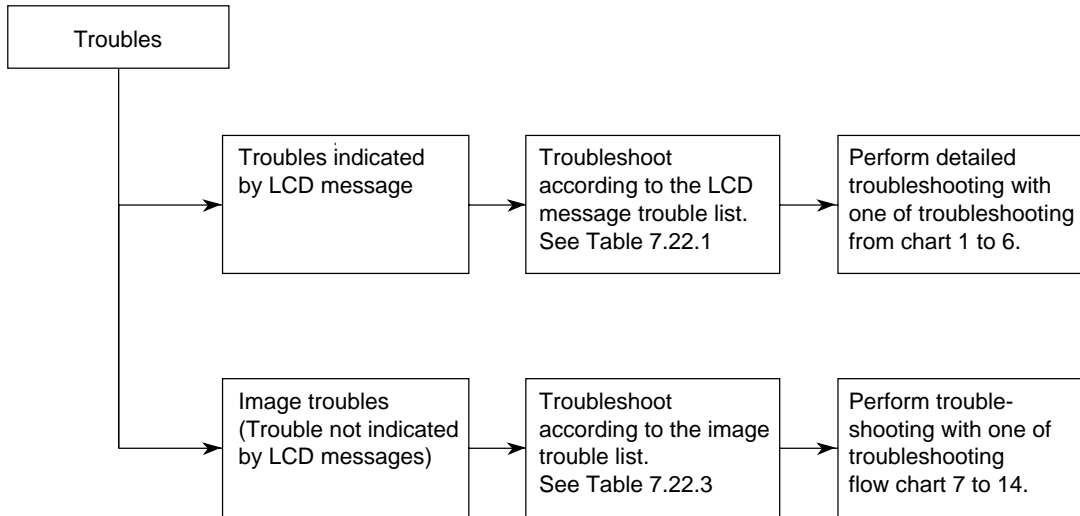


Table 7.22.1 LCD Message Trouble List

Category	LCD message display	Trouble	Troubleshooting flow chart number
Cover open	See "Table 7.22.2 Alarm Display".	The cover (cover-top) is open.	1
Image drum alarm	See "Table 7.22.2 Alarm Display".	Warning message to replace EP unit because of its life.	2
Engine errors	See "Table 7.22.2 Alarm Display".	Engine controller error	3
	See "Table 7.22.2 Alarm Display".	Fuser unit thermal error	4
Recording paper/jam error	See "Table 7.22.2 Alarm Display".	Recording paper feed jam, transport jam, ejection jam, recording size error	5
Paper cassette request	See "Table 7.22.2 Alarm Display".	No recording paper tray or no recording paper	6
Daily status	See "Table 7.22.2 Alarm Display".	Toner is running short. Note: No toner memory RX is ON.	
	See "Table 7.22.2 Alarm Display".	Toner is running short. Note: No toner memory RX is OFF.	

Table 7.22.2 AlarmDisplay (1/3)

ALARM	LCD	LED
Flash memory error (data)	<div style="border: 1px solid black; padding: 5px; text-align: center;"> 12:00 XXX MEMORY ERROR </div>	ON
Second tray time-out error	<div style="border: 1px solid black; padding: 5px; text-align: center;"> 12:00 TEL PRINTER ALARM2 REFER TO USER GUIDE MEMORY FREE 100% </div>	ON
ID lock	<div style="border: 1px solid black; padding: 5px; text-align: center;"> 12:00 TEL INVALID DRUM CART. REFER TO USER GUIDE MEMORY FREE 100% </div>	ON
Toner lock	<div style="border: 1px solid black; padding: 5px; text-align: center;"> 12:00 TEL INVALID TONER CART. REFER TO USER GUIDE MEMORY FREE 100% </div>	ON
Thermister error	<div style="border: 1px solid black; padding: 5px; text-align: center;"> 12:00 TEL PRINTER ALARM4 REFER TO USER GUIDE MEMORY FREE 100% </div>	ON
Fan motor error	<div style="border: 1px solid black; padding: 5px; text-align: center;"> 12:00 TEL PRINTER ALARM3 REFER TO USER GUIDE MEMORY FREE 100% </div>	ON
Cover open	<div style="border: 1px solid black; padding: 5px; text-align: center;"> 12:00 XXX CLOSE THE COVER MEMORY FREE 100% </div>	ON
Document jam (limit length error)	<div style="border: 1px solid black; padding: 5px; text-align: center;"> 11/01/1998 12:00 XXX DOCUMENT JAM CONFIRM AND "STOP" MEMORY FREE 100% </div>	ON

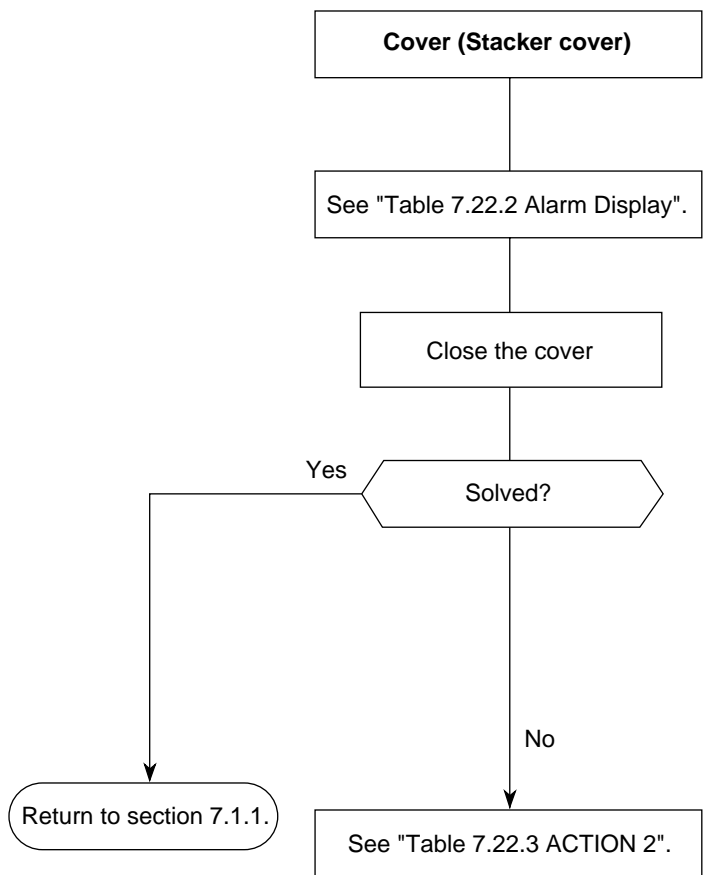
Table 7.22.2 AlarmDisplay (2/3)

ALARM	LCD	LED
Document jam (suction error)	<div style="border: 1px solid black; padding: 5px; text-align: center;"> 11/01/1998 12:00 XXX RELOAD DOCUMENT MEMORY FREE 100% </div>	ON
Paper jam (feed outlet error)	<div style="border: 1px solid black; padding: 5px; text-align: center;"> 12:00 XXX PAPER JAM CHECK PAPER OR PATH MEMORY FREE 100% </div>	ON
Paper jam (path error)		ON
Paper jam (feed error)	<div style="border: 1px solid black; padding: 5px; text-align: center;"> 12:00 XXX PAPER MISS FEED CHECK PAPER OR PATH MEMORY FREE 100% </div>	ON
Paper size error	<div style="border: 1px solid black; padding: 5px; text-align: center;"> 12:00 XXX PAPER SIZE ERROR CHECK PAPER OR PATH MEMORY FREE 100% </div>	ON
No paper	<div style="border: 1px solid black; padding: 5px; text-align: center;"> 12:00 XXX NO PAPER CHECK PAPER SUPPLY MEMORY FREE 100% </div>	ON
Face-up	<div style="border: 1px solid black; padding: 5px; text-align: center;"> 12:00 XXX FACE UP STACKING SWITCH OUTPUT LEVER MEMORY FREE 100% </div>	ON
Drum life expired Toner near end (Toner near end & drum counter • 19000)	<div style="border: 1px solid black; padding: 5px; text-align: center;"> 12:00 XXX CHANGE DRUM SOON MEMORY FREE 100% </div>	ON
No ID (Image Drum)	<div style="border: 1px solid black; padding: 5px; text-align: center;"> 12:00 XXX TONER SENSOR CHECK DRUM CART. MEMORY FREE 100% </div>	ON
Toner near end (NO TONER MEM. RX = OFF)	<div style="border: 1px solid black; padding: 5px; text-align: center;"> 12:00 XXX REPLACE TONER CART. MEMORY FREE 100% </div>	OFF

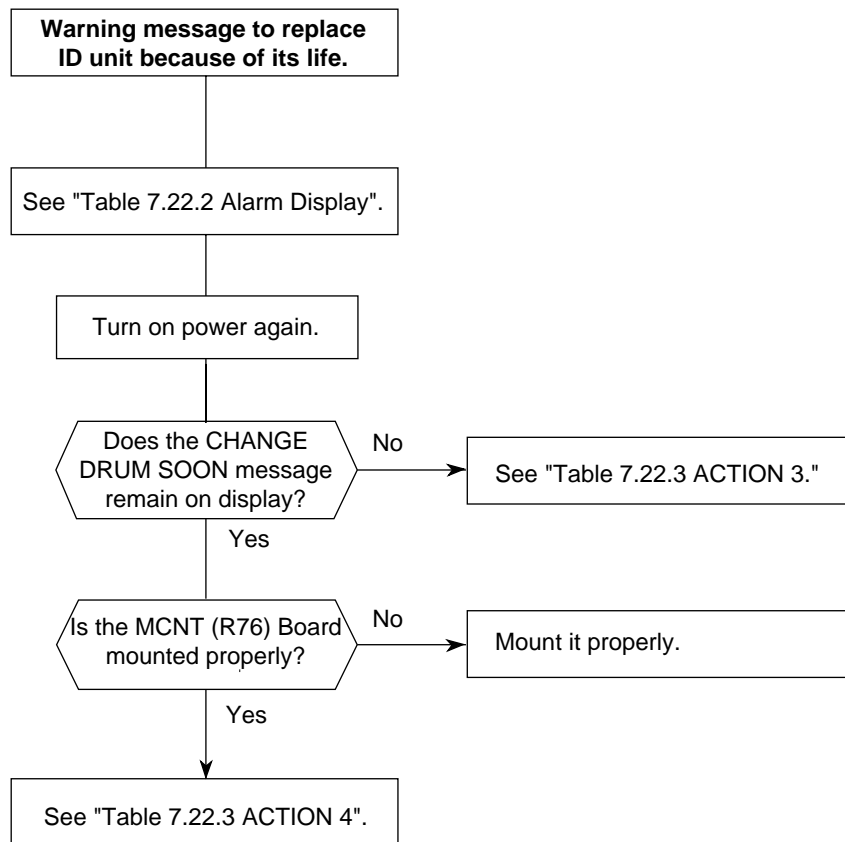
Table 7.22.2 AlarmDisplay (3/3)

ALARM	LCD	LED
Toner near end (NO TONER EM. RX = ON)	<div style="border: 1px solid black; padding: 5px; text-align: center;"> 12:00 XXX TONER LOW REPLACE TONER CART. MEMORY FREE 100% </div>	ON
Second tray cover open	<div style="border: 1px solid black; padding: 5px; text-align: center;"> 12:00 XXX CLOSE THE 2ND COVER MEMORY FREE 100% </div>	OFF
Memory overflow	<div style="border: 1px solid black; padding: 5px; text-align: center;"> 12:00 XXX MEMORY OVERFLOW REFER TO USER GUIDE MEMORY FREE 100% </div>	ON
Communication error	<div style="border: 1px solid black; padding: 5px; text-align: center;"> 12:00 XXX COMMUN. ERROR MEMORY FREE 100% </div>	ON
LAN board MUPIS I/F error	<div style="border: 1px solid black; padding: 5px; text-align: center;"> 12:00 XXX HSP ERROR REFER TO USER GUIDE MEMORY FREE 100% </div>	ON
ISDN board MUPIS I/F error	<div style="border: 1px solid black; padding: 5px; text-align: center;"> 12:00 XXX ISDN BOARD I/F ERROR REFER TO USER GUIDE MEMORY FREE 100% </div>	ON
Error 77 (no ID)	<div style="border: 1px solid black; padding: 5px; text-align: center;"> 12:00 XXX ERROR77 MEMORY FREE 100% </div>	ON
LAN print ACC error	<div style="border: 1px solid black; padding: 5px; text-align: center;"> 12:00 XXX LAN DATA ERROR REFER TO USER GUIDE MEMORY FREE 100% </div>	ON

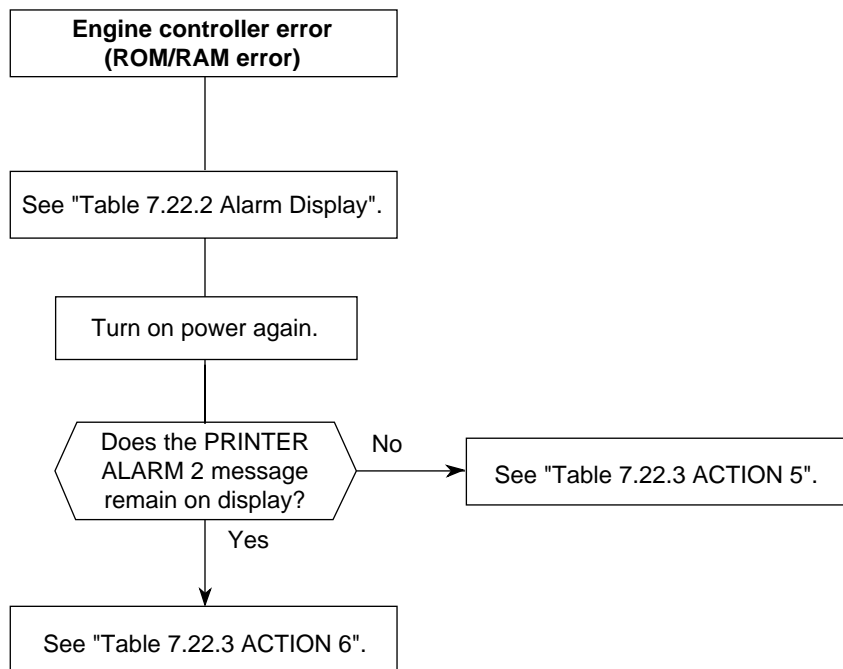
Troubleshooting flow chart 1:



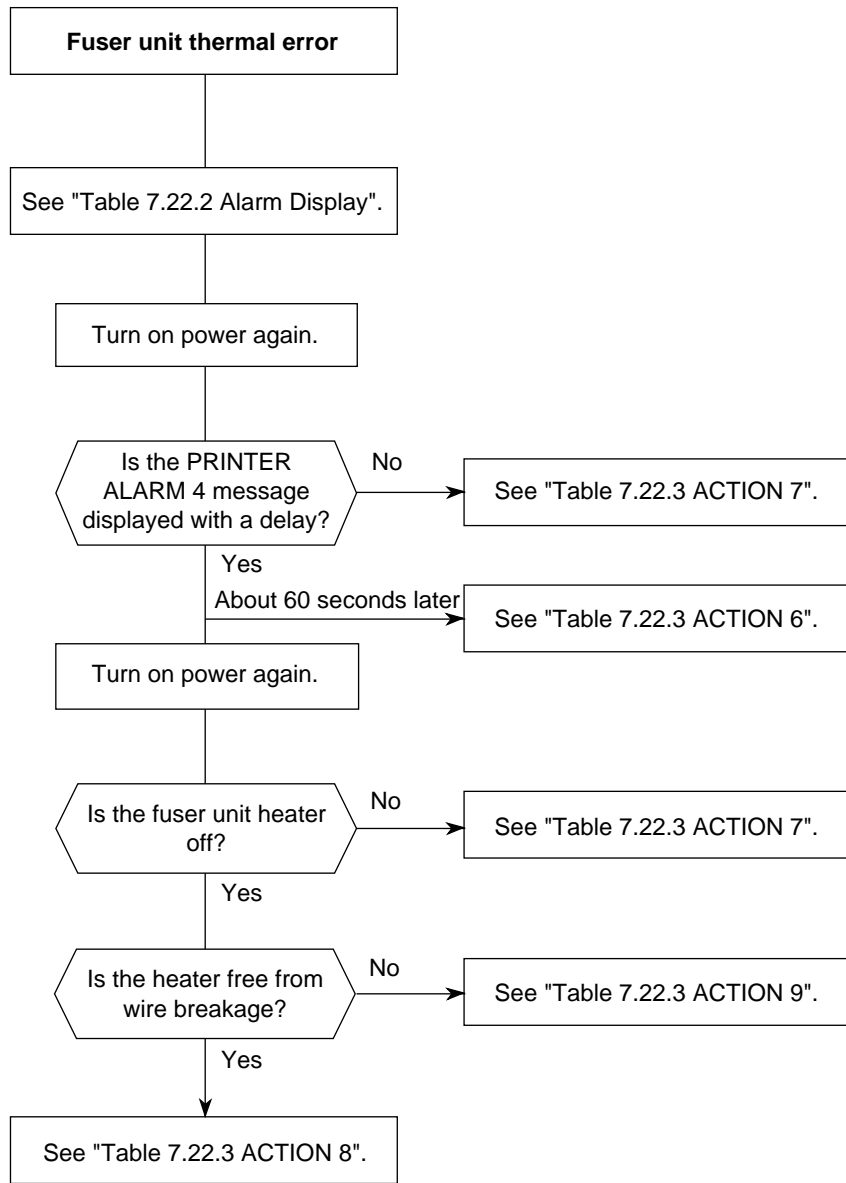
Troubleshooting flow chart 2:



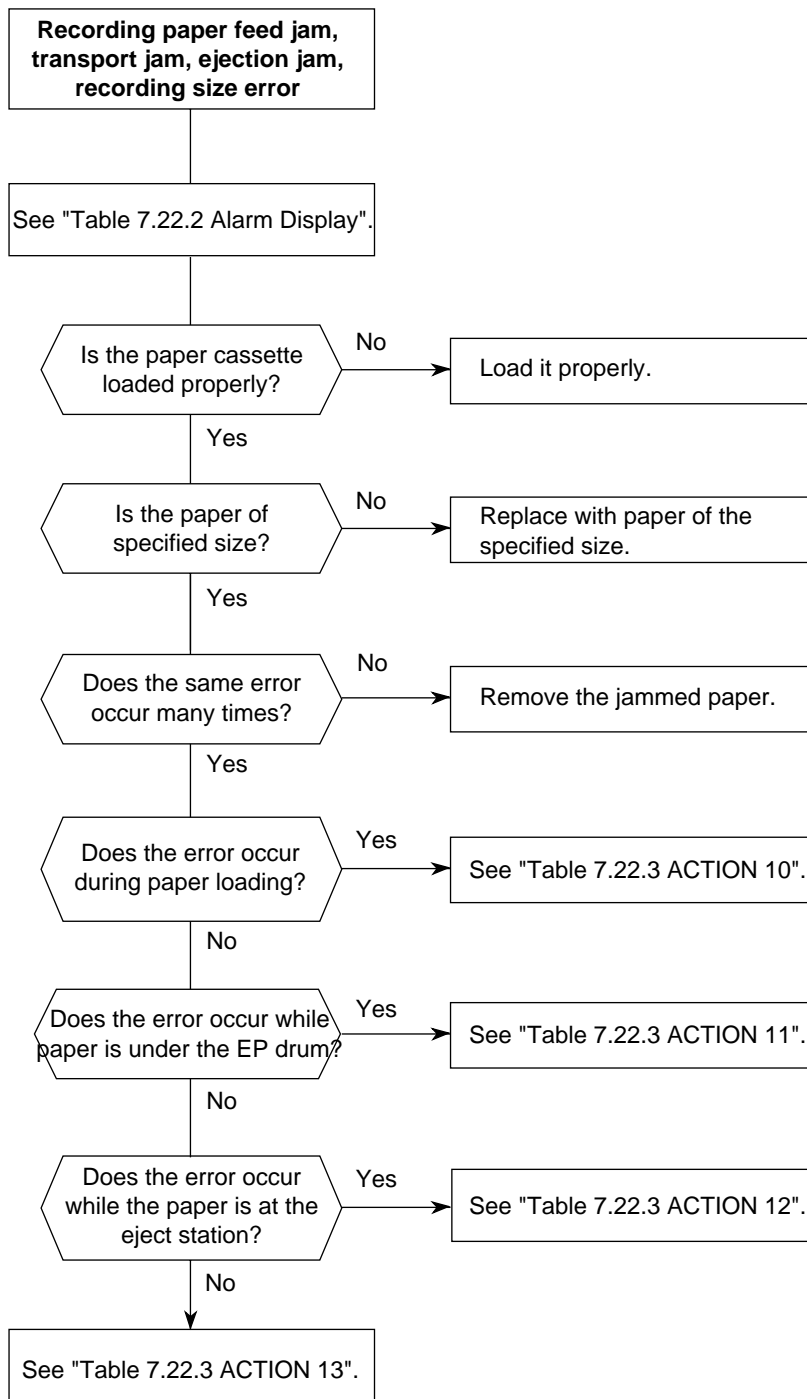
Troubleshooting flow chart 3:



Troubleshooting flow chart 4:



Troubleshooting flow chart 5:



Troubleshooting flow chart 6:

No recording paper cassette or not recording paper

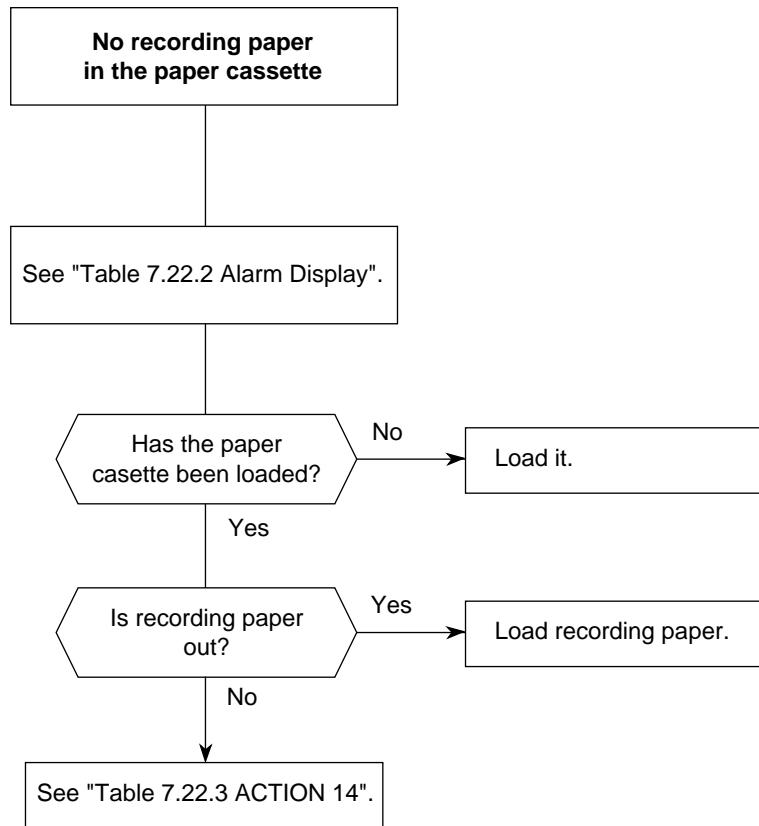


Table 7.22.3 Action Items (Printer Unit-LCD Message)

No.	ACTION	No.	ACTION
1	Check MCNT (R76) Board.	8	Check connection between the PWU and the fuser assembly, heater, thermostat.
2	Check H10 Board cover open switch, cover open switch connection. Check MCNT (R76) Board.	9	Check PWU.
3	Return to Section 7.1.	10	Check Sensor-E, magnet-H, hopping roller, pulse motor, MCNT (R76) Board, Action of Idle gear-P.
4	Replace the EP Unit. And clear Drum Count, Section 6.3.	11	Check Gear-T, MCNT (R76) Board, P2H/P6L Board.
5	Check installation of MCNT (R76) board, POWER SUPPLY UNIT board.	12	Check exit sensor lever, PWU
6	Check MCNT (R76) Board.	13	Check MCNT (R76) Board.
7	Check thermister (resistance of about 200 kilo ohms at room temperature and about 140 kilo ohms at high temperature), POWER SUPPLY UNIT.	14	Check H10 Board, MCNT (R76) board.

Note: M76 board for OKIFAX 5700/5900 is shown as MCNT (R76).

Table 7.22.4 Image Troubles

Abnormal Symptom	Reference Figure	Troubleshooting Flow Chart No.
Images are light or blurred as a whole.	Fig. (A)	7
The blank background is smeared.	Fig. (B)	8
Blank paper is output.	Fig. (C)	9
Black belts or black stripes in vertical direction.	Fig. (D)	10
Periodic abnormal printing.	Fig. (E)	11
Some parts not printed.	—	12
White belts or some white stripes in vertical direction	Fig. (F)	13
Poor fusing (Images are blurred or peeled off when touched by hands)	—	14

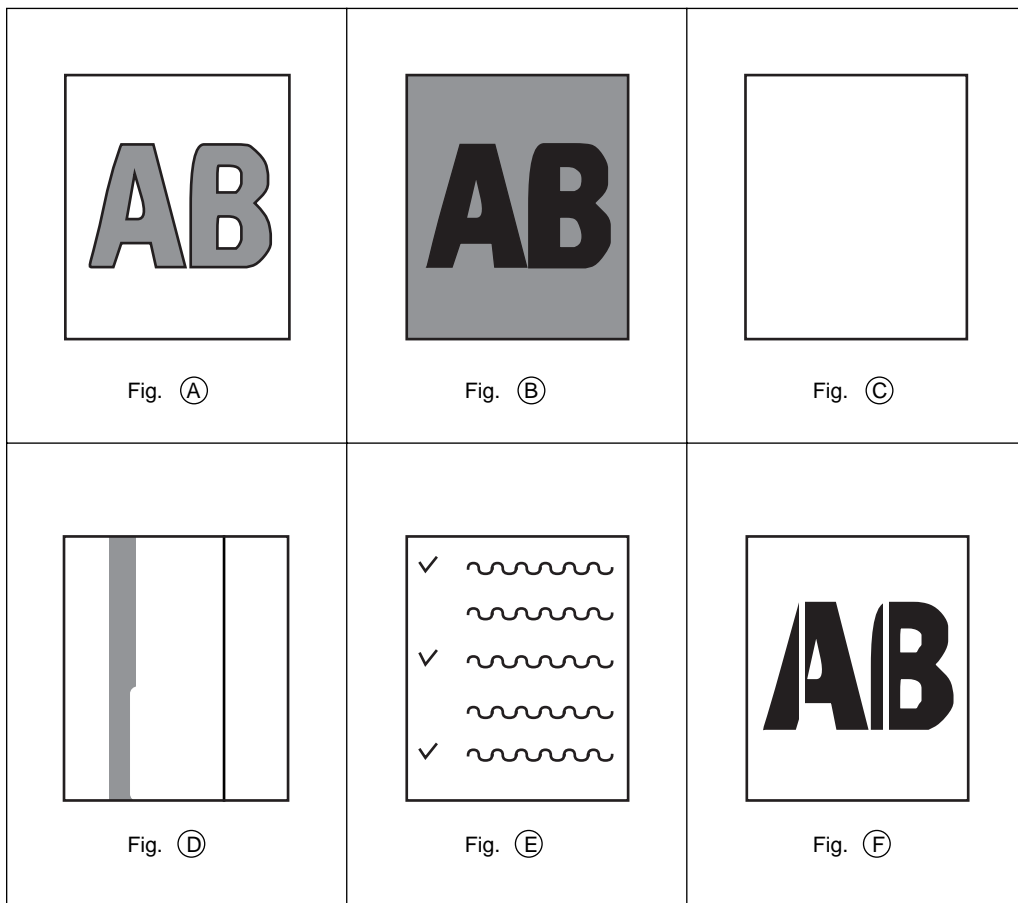
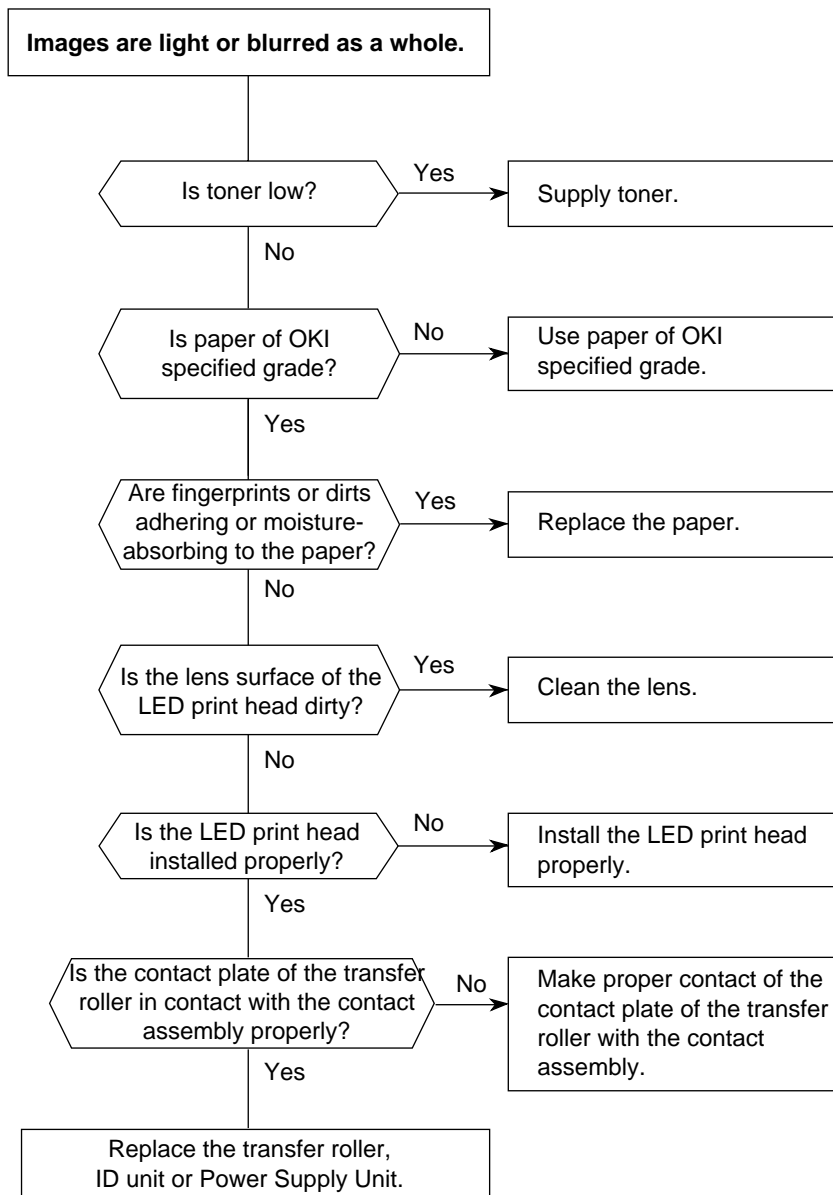
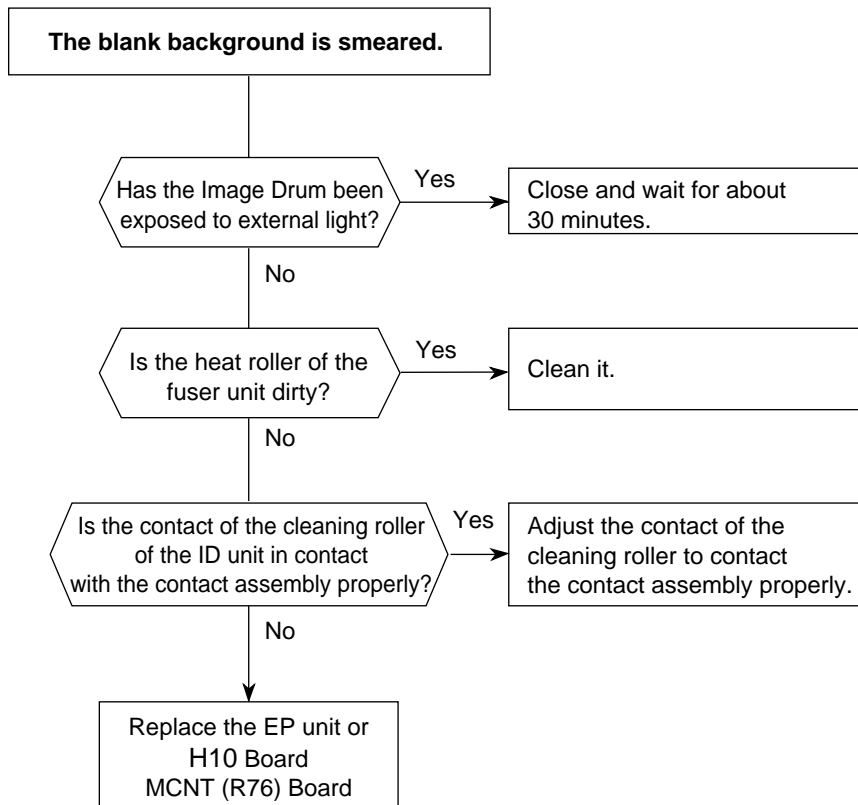


Figure 7.22.1 Abnormal Symptoms of Image Troubles (Example)

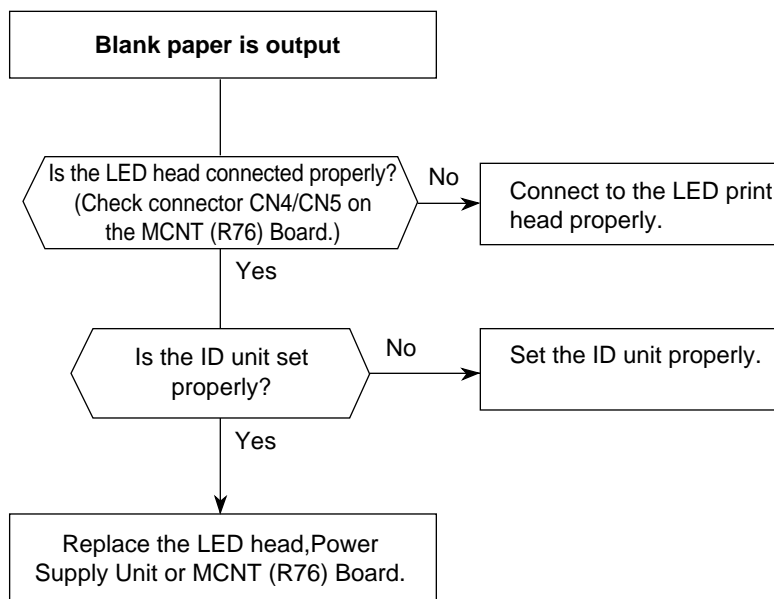
Troubleshooting flow chart 7:



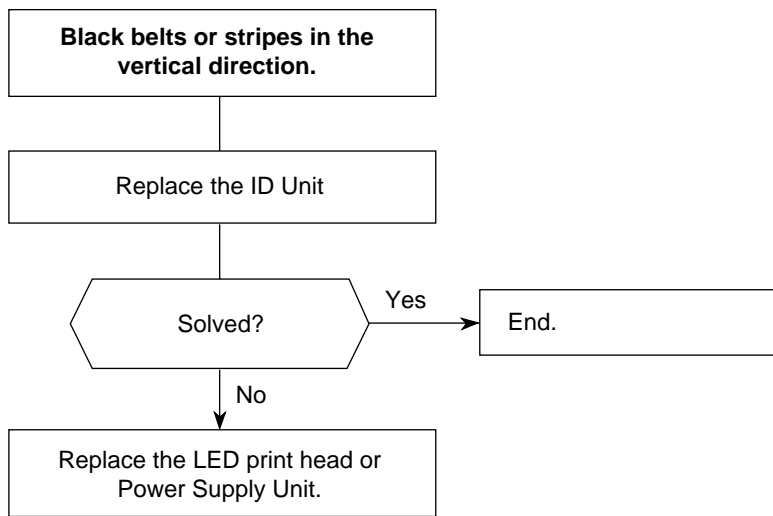
Troubleshooting flow chart 8:



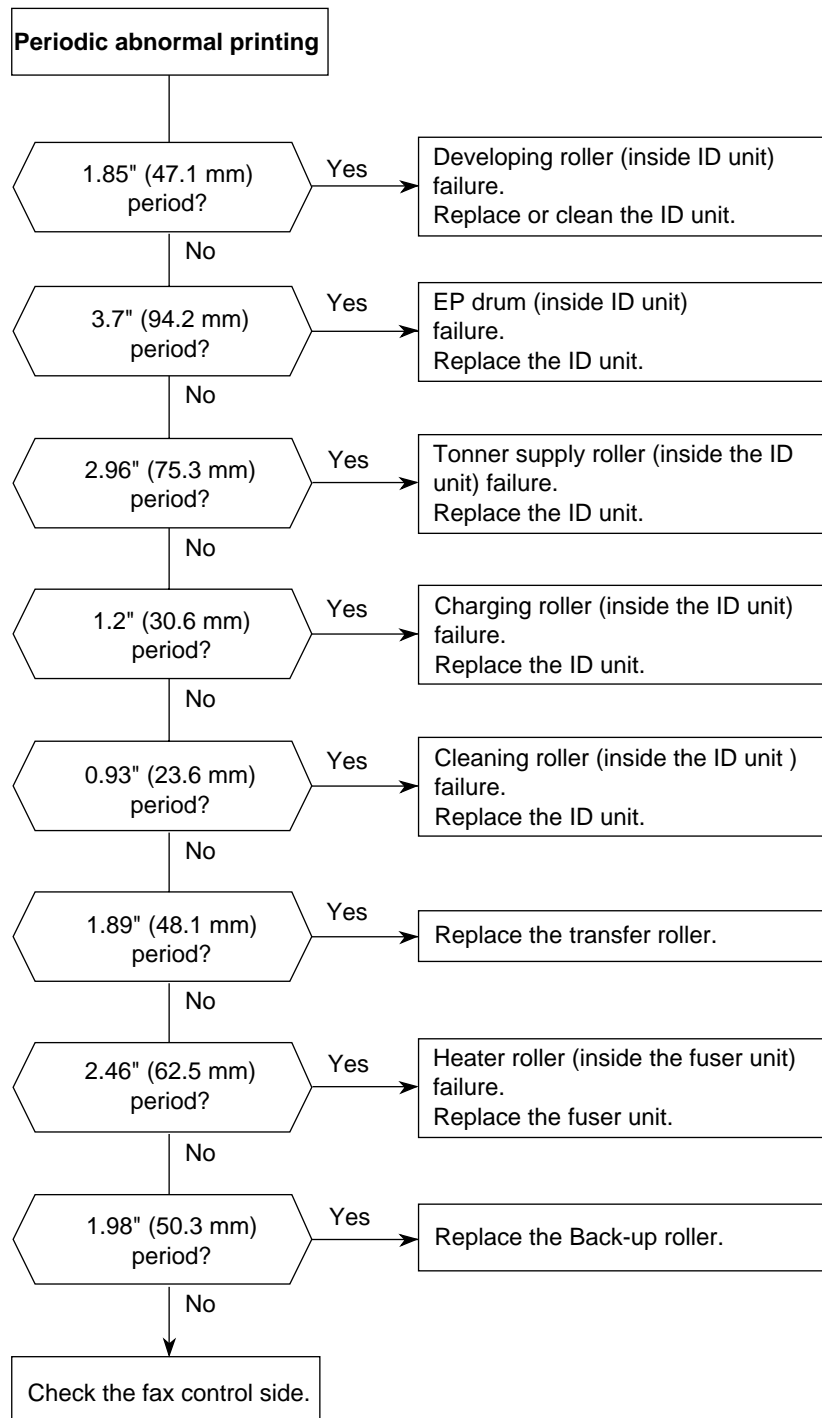
Troubleshooting flow chart 9:



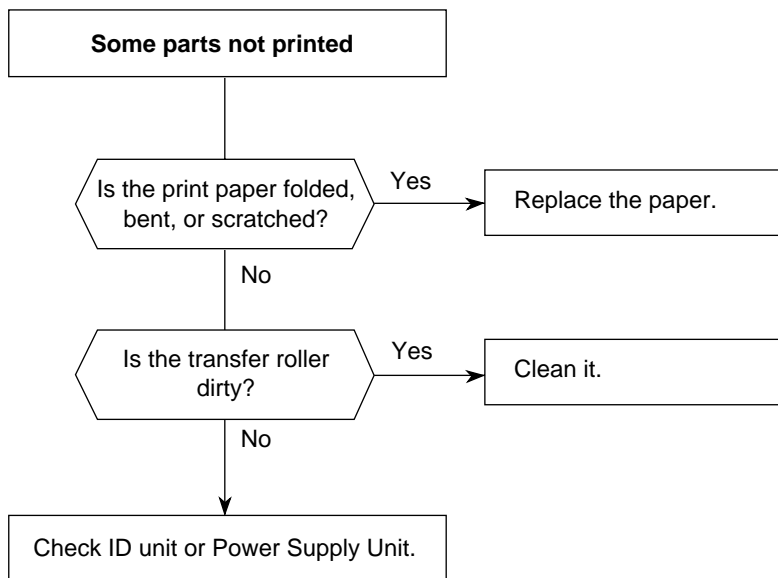
Troubleshooting flow chart 10:



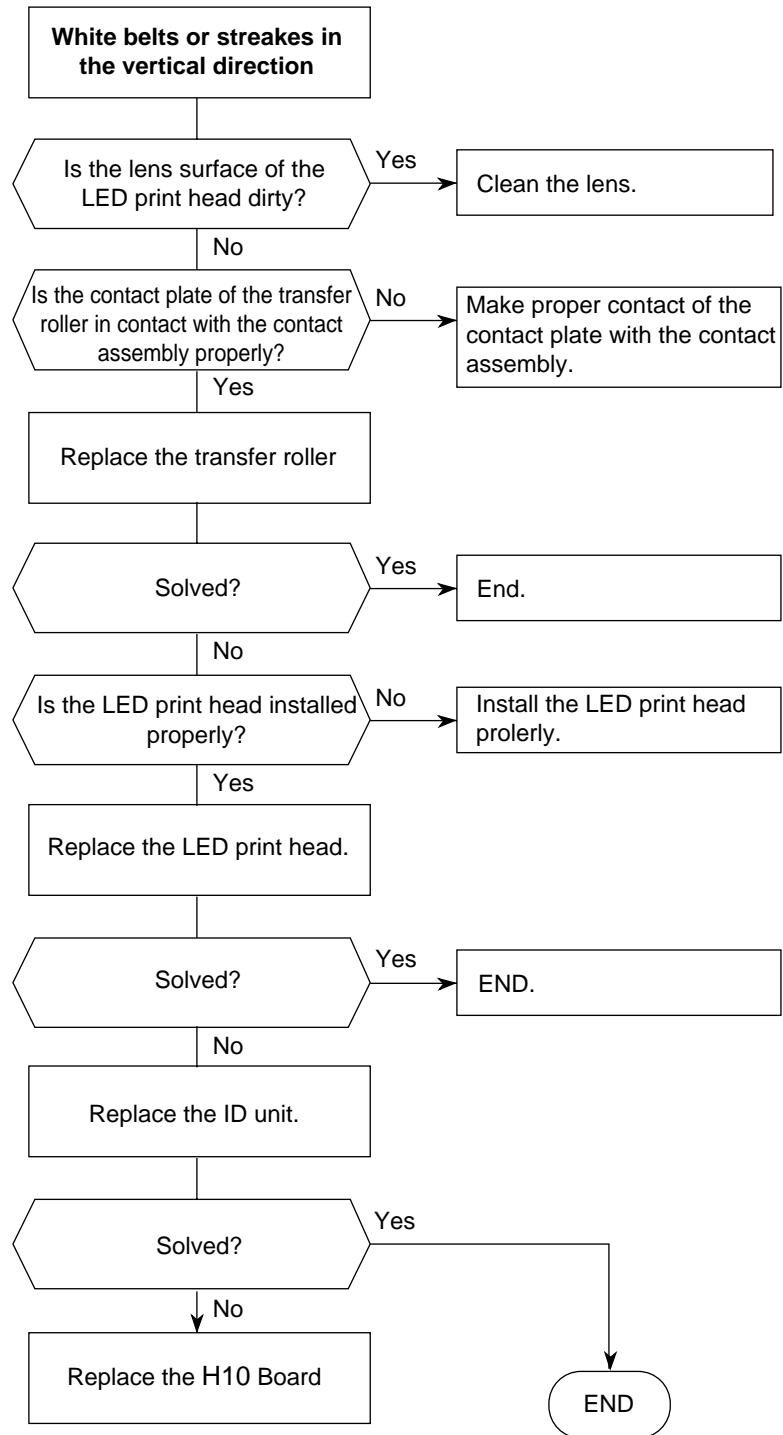
Troubleshooting flow chart 11:



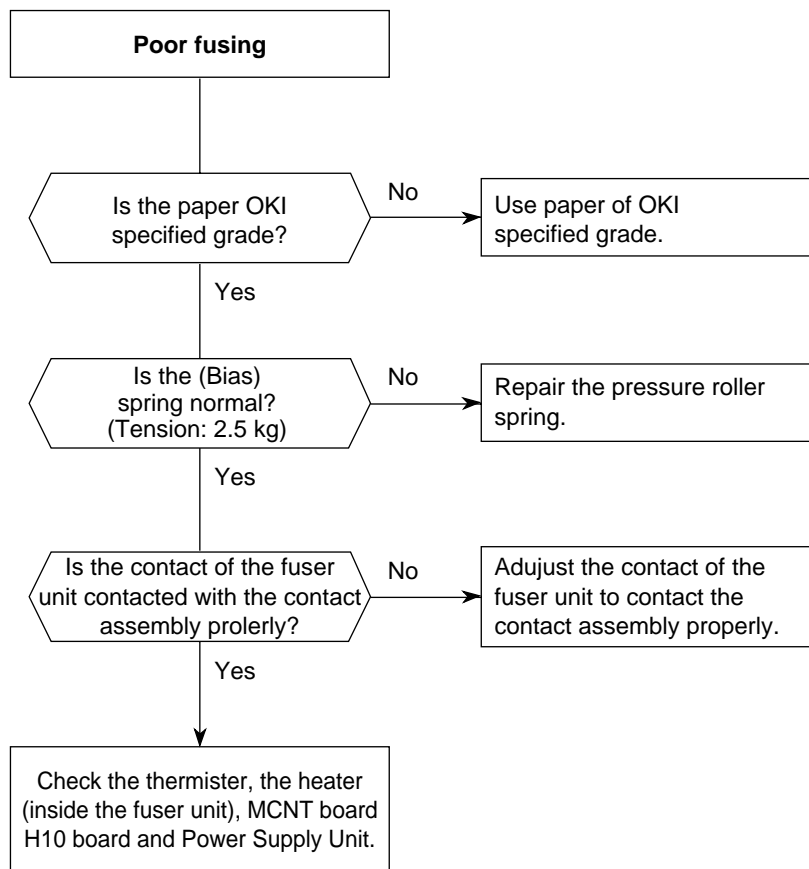
Troubleshooting flow chart 12:



Troubleshooting flow chart 13:



Troubleshooting flow chart 14:



Appendix A

PC Board Descriptions and Operation

First Edition

February, 1999

Oki Data Corporation

CONTENTS

APPENDIX A PC Board Description and Operation

	Page
A1.1 Unit Configuration and Block Diagram	A1-1
A2.1 OKIFAX5700/5900 Signal Flow	A2-1
A2.2 Explanation of Signal Flowchart	A2-18
A3.1 MCNT	A3-1
A3.1.1 CPU	A3-1
A3.1.1.1 Functions	A3-1
A3.1.2 IOGA5	A3-3
A3.1.2.1 Purpose and Overview of This ASIC	A3-3
A3.1.3 Scanner Control	A3-5
A3.1.3.1 Overview	A3-5
A3.1.4 JBIG Control	A3-8
A3.1.4.1 Overview	A3-8
A3.1.4.2 Code conversion	A3-8
A3.1.4.3 CPU access	A3-8
A3.1.5 Scanner Motor Control	A3-11
A3.1.6 CPU Peripheral Circuits	A3-12
A3.1.6.1 Memory	A3-12
A3.1.6.2 Peripheral elements	A3-12
A3.1.6.3 Backup circuit	A3-13
A3.1.6.4 Fan control	A3-14
A3.1.7 LED Head Control	A3-15
A3.1.8 Heater Control	A3-17
A3.1.9 Printer Motor Control	A3-18
A3.1.10 Toner Low Detection	A3-20
A3.1.11 Centronics Parallel Interface	A3-22
A3.1.12 Electrophotographic Process	A3-23
A3.1.12.1 Process Operation Descriptions	A3-26
A3.2 OPE Control	A3-36
A3.3 MODEM C34 PC Board	A3-37
A3.4 UNC, WN5, FN5 and DN5 Circuit Diagram	A3-42
A3.5 Power Supply Board	A3-55
A3.6 High-voltage Power Supply Circuit	A3-57
A3.7 G4A-PCB	A3-59

PREFACE

This manual has been designed to provide basic information concerning the electric section for the component-level maintenance of the OKIFAX 5700/OKIFAX 5900 facsimile transceiver. It includes such information which will help maintenance personnel to understand the circuit operations.

This manual will also provide the reader information concerning the functions of units and the relationships among the units which will assist you in conducting unit-level maintenance.

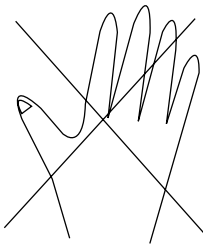
Detailed circuit diagram has been omitted from this manual to avoid duplications of contents with other associated manuals, For information not contained in this manual, refer to:

OKIFAX 5700/OKIFAX 5900 CIRCUIT DIAGRAM/PARTS LIST (Appendix C)

DANGER

Do Not
Touch !

HIGH VOLTAGE



You may be subjected to high-voltage electric shock by touching the following parts without an insulating material:

- a. High-voltage unit
- b. Contact ass'y

© Copyright 1998 OKI DATA CORPORATION
This manual is subject to alteration without prior notification.

A1.1 Unit Configuration and Block Diagram

1. The unit configuration is as follows:

OKIFAX 5700/OKIFAX 5900 ASSEMBLY

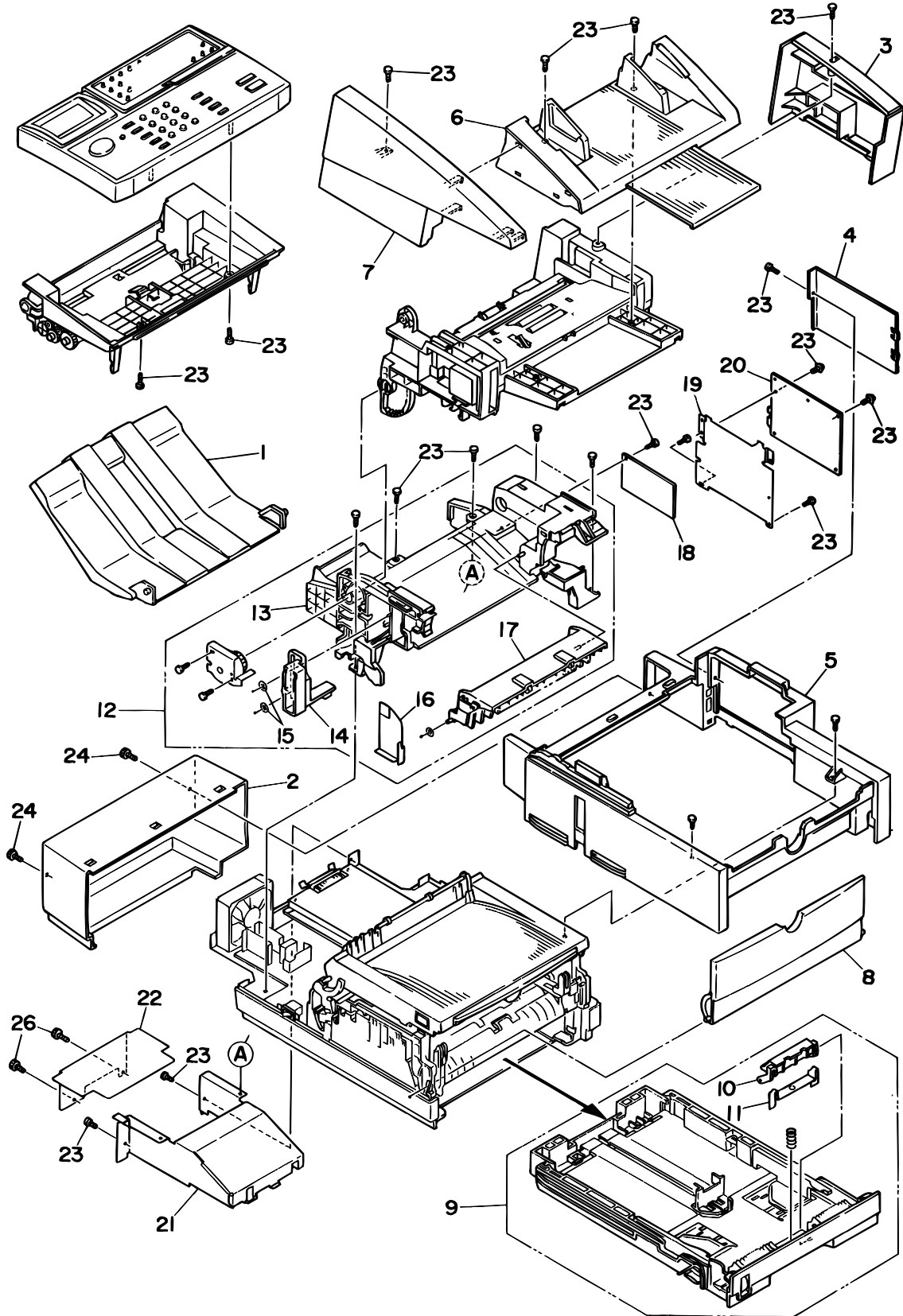


Figure A.1.1 Unit Configuration (Modifying)

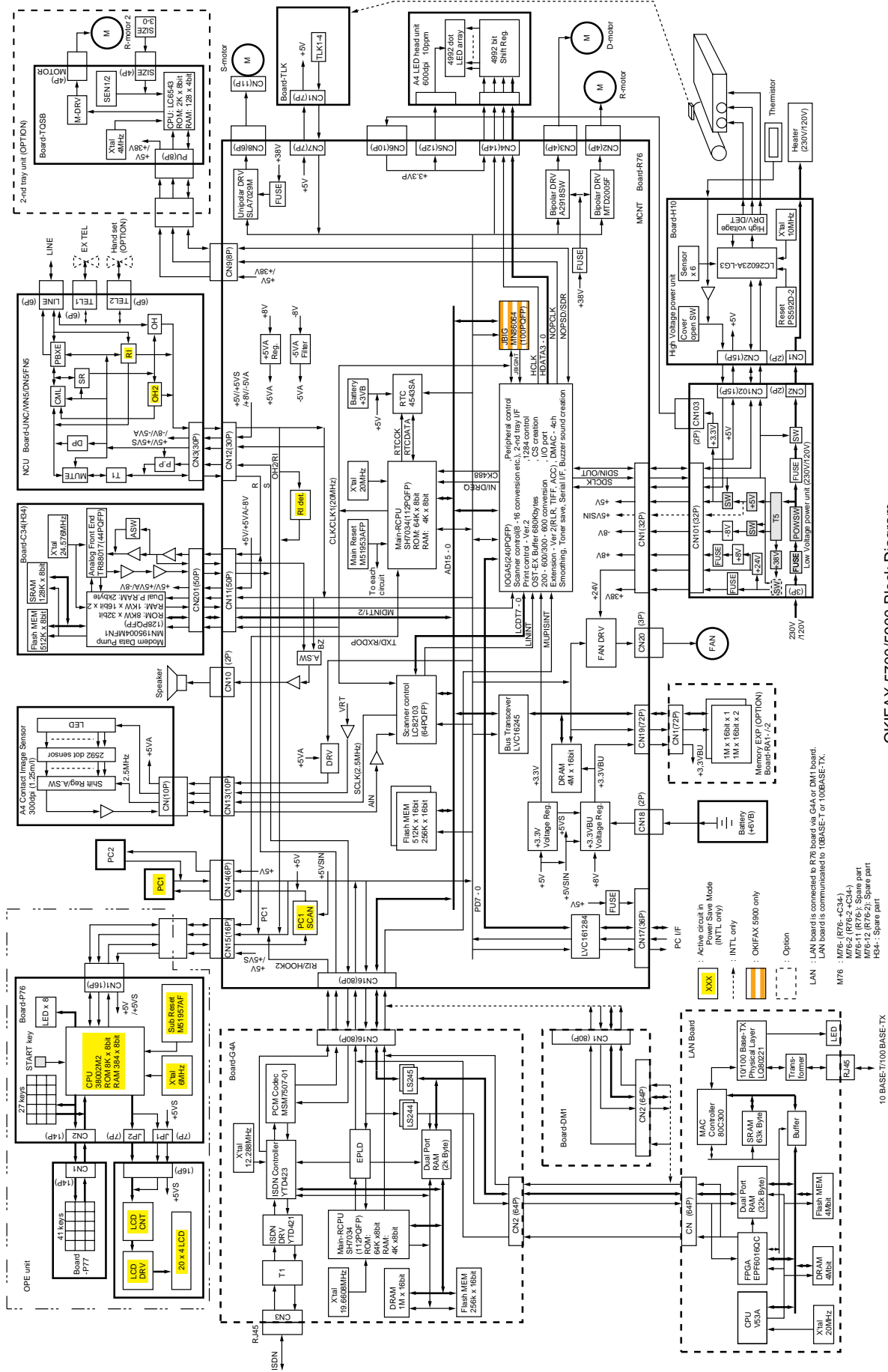
GENERAL

Standard:

- (1) MCNT (R76- : OKIFAX 5700/R76-2 OKIFAX 5900)
- (2) V.34 Modem (C34-/H34-)
- (3) NCU (UNC-/WN5-/DN5-FN5-)
- (4) Operation Panel Board (P76-: Main/P77-: One-touch)
- (5) High-voltage Power Unit (H10)
- (6) Low-voltage Power Unit (MPW2520: 120V/MPW2420: 230V)
- (7) Toner Lock Board (TLK-)

Option:

- (8) Optional Memory (RA-: 2M byte/RA-2: 4M byte)
- (9) G4 Board (G4A-)
- (10) Adaptor Board for NIC (DM1-)
- (11) NIC (Network Interface Card)



OKIFAX 5700/5900 Block Diagram

LAN LAN board is connected to R76 board via G4A or DMT board.
 LAN LAN board is communicated to 10BASE-T or 10BASE-TX.
 M76 : M76-(R76-4C34)
 M76-2 (R76-2-C34)
 M76-12 (R76-2)
 M76-12 Spare part
 M76-12 Spare part

10 BASE-T/100 BASE-TX

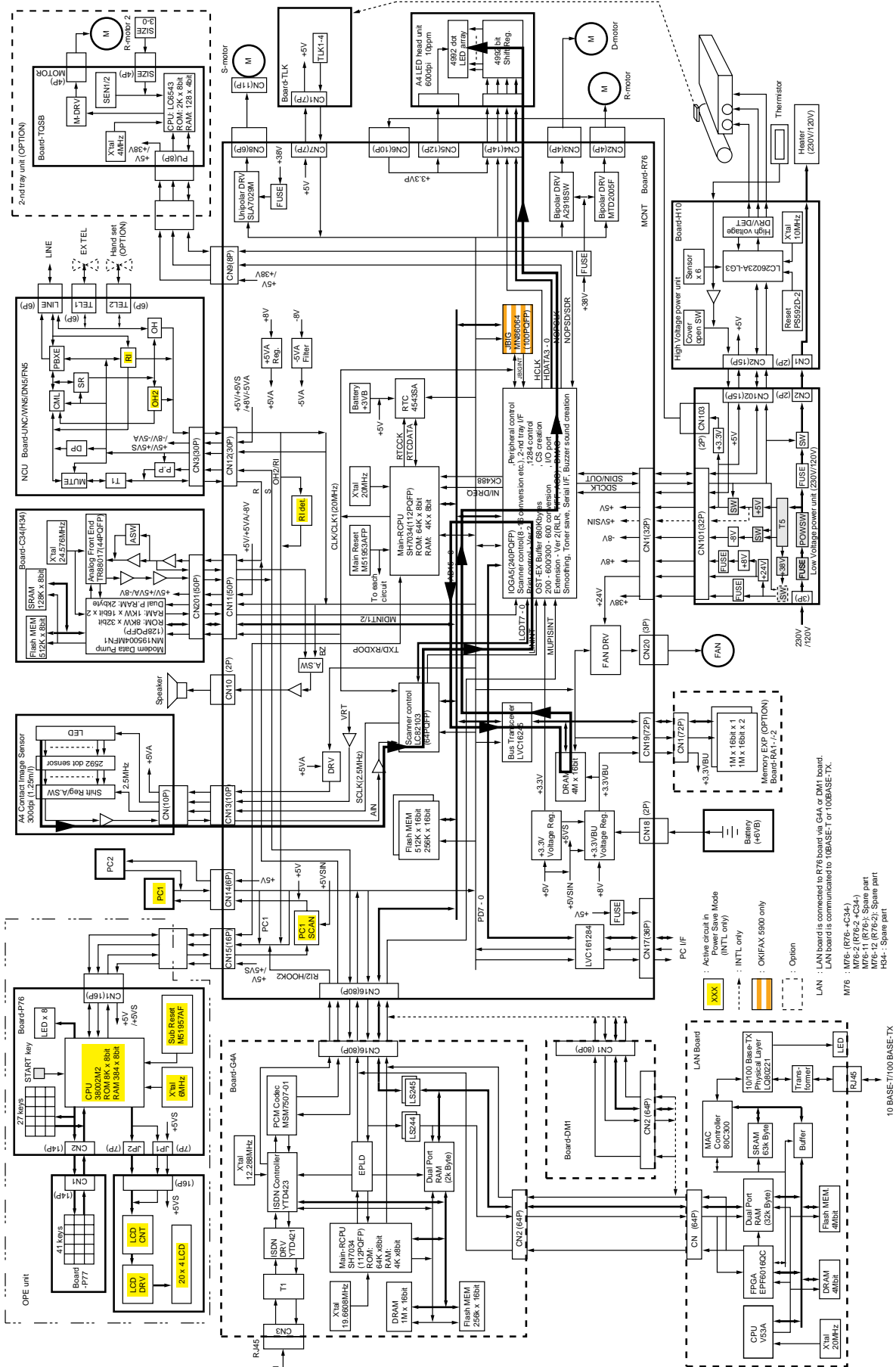
A2.1 OKIFAX 5700/5900 Signal Flow

Each signal flow is shown as below:

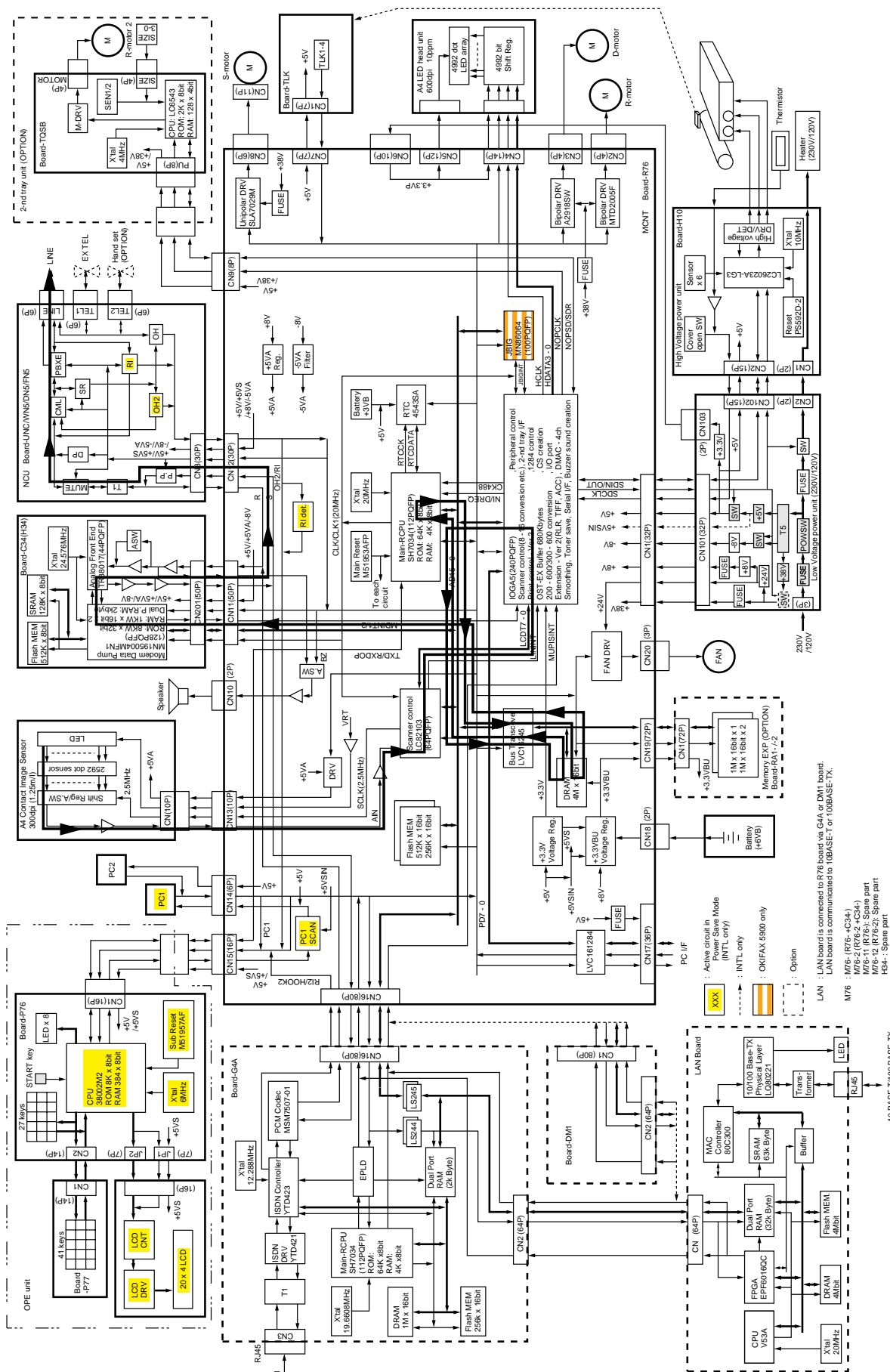
1. COPY
2. G3 TX (MH/MR/MMR)
- 2-1 G3 TX (JBIG): OKIFAX 5900 only
3. G3 RX (MH/MR/MMR)
- 3-1 G3 RX (JBIG): OKIFAX 5900 only
4. PC Print (Option)
5. PC Scanner (Option)
6. PC-FAX TX (Option)
7. PC-FAX RX (Option)
8. ISDN PC-FAX G3 TX (Option)
9. ISDN PC-FAX G3 RX (Option)
10. ISDN G3 TX (Option)
11. ISDN G3 RX (Option)
12. G4 TX (Option)
13. G4 RX (Option)
14. LAN Print (Option)

SIGNAL FLOW

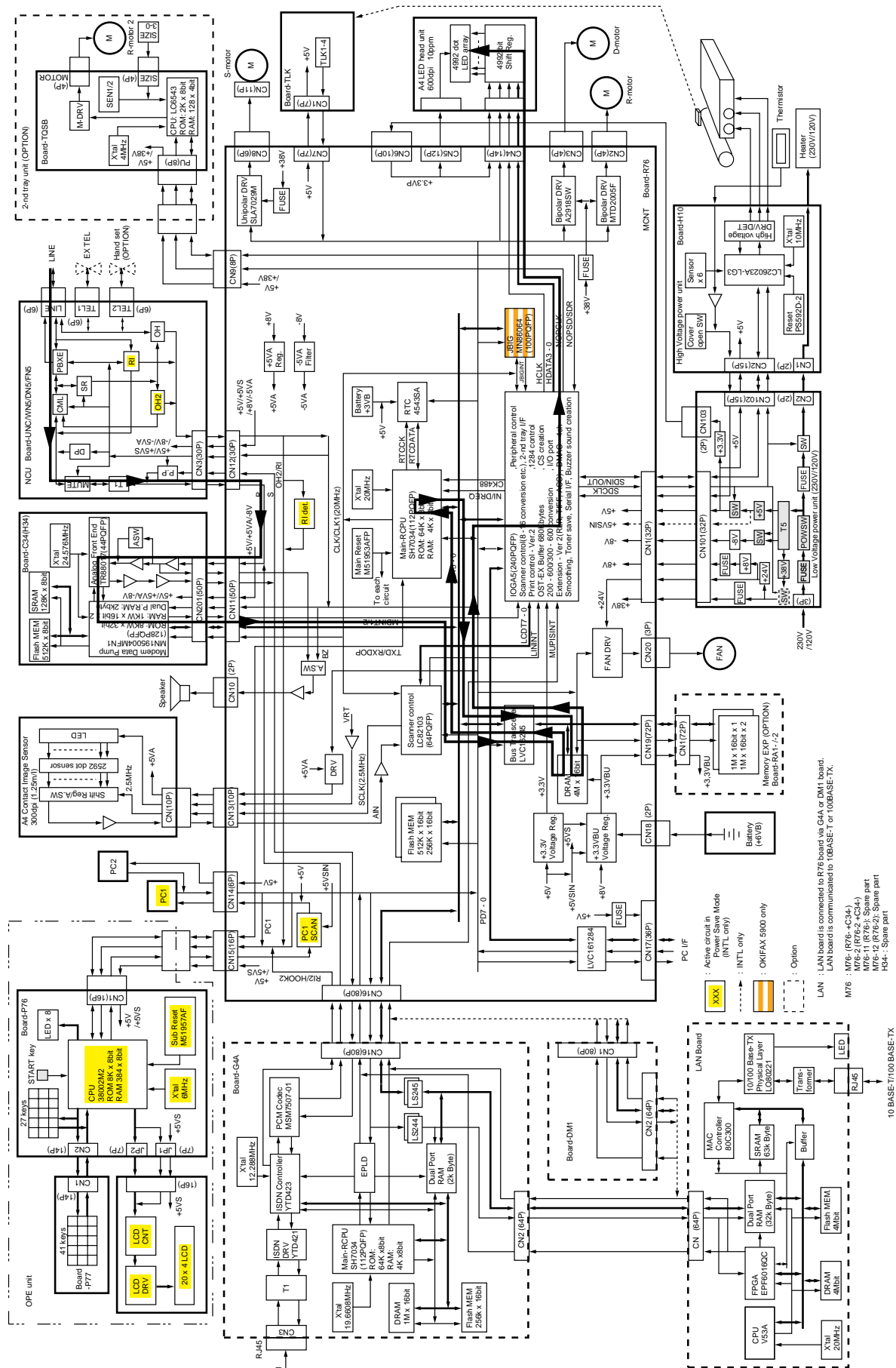
1. COPY



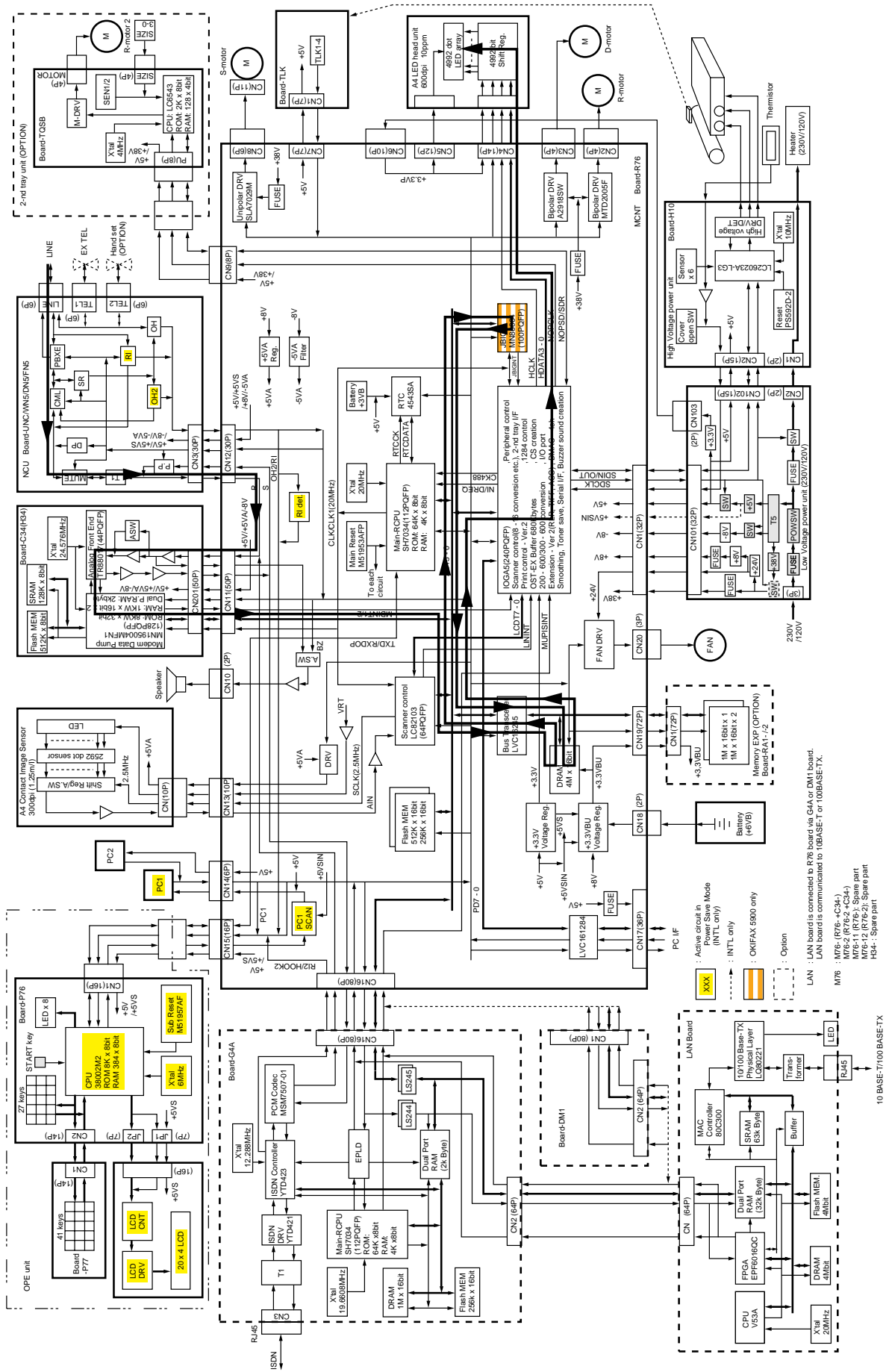
2. G3 TX (MH/MR/MMR)



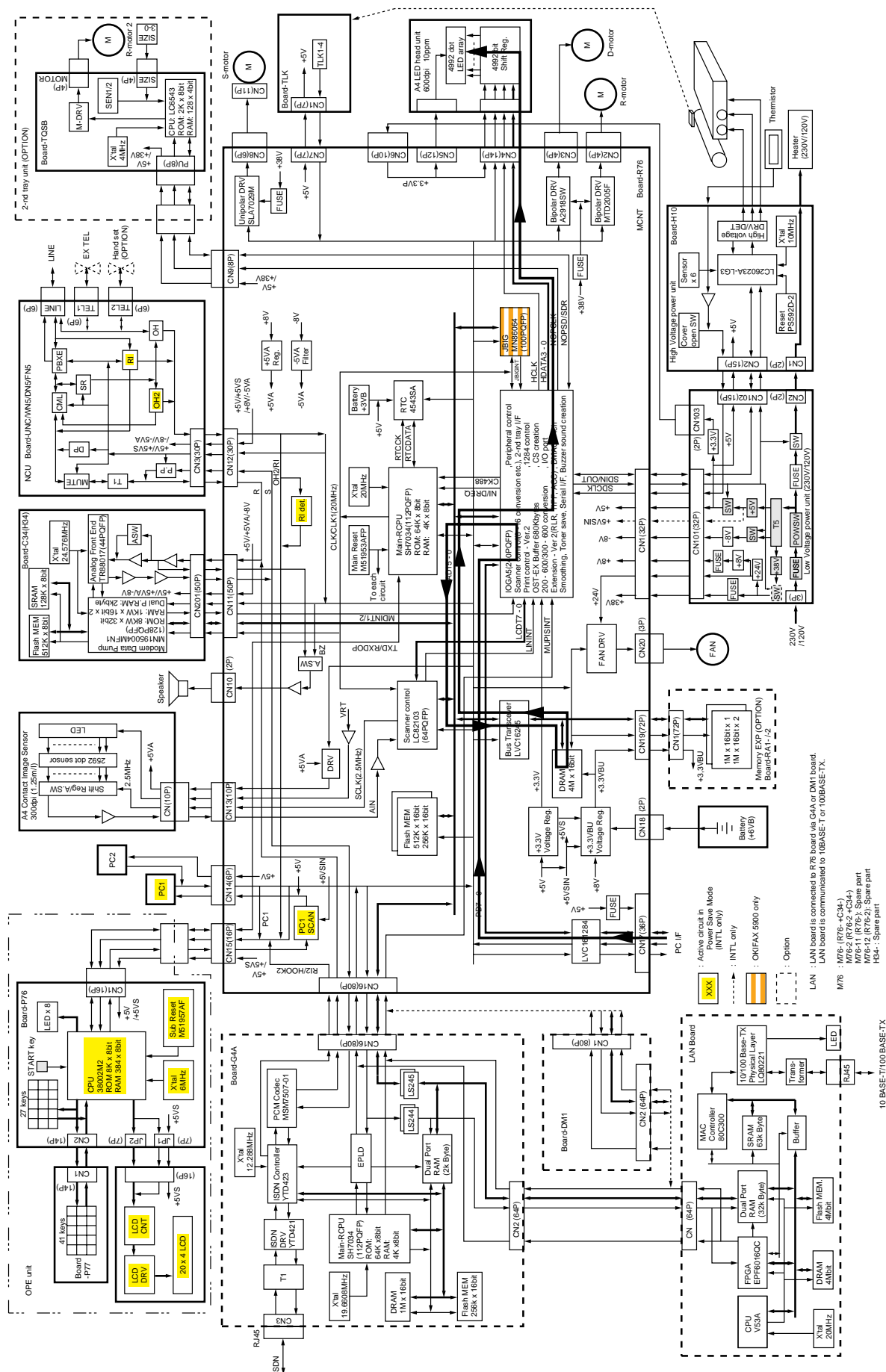
3. G3 RX (MH/MR/MMR)



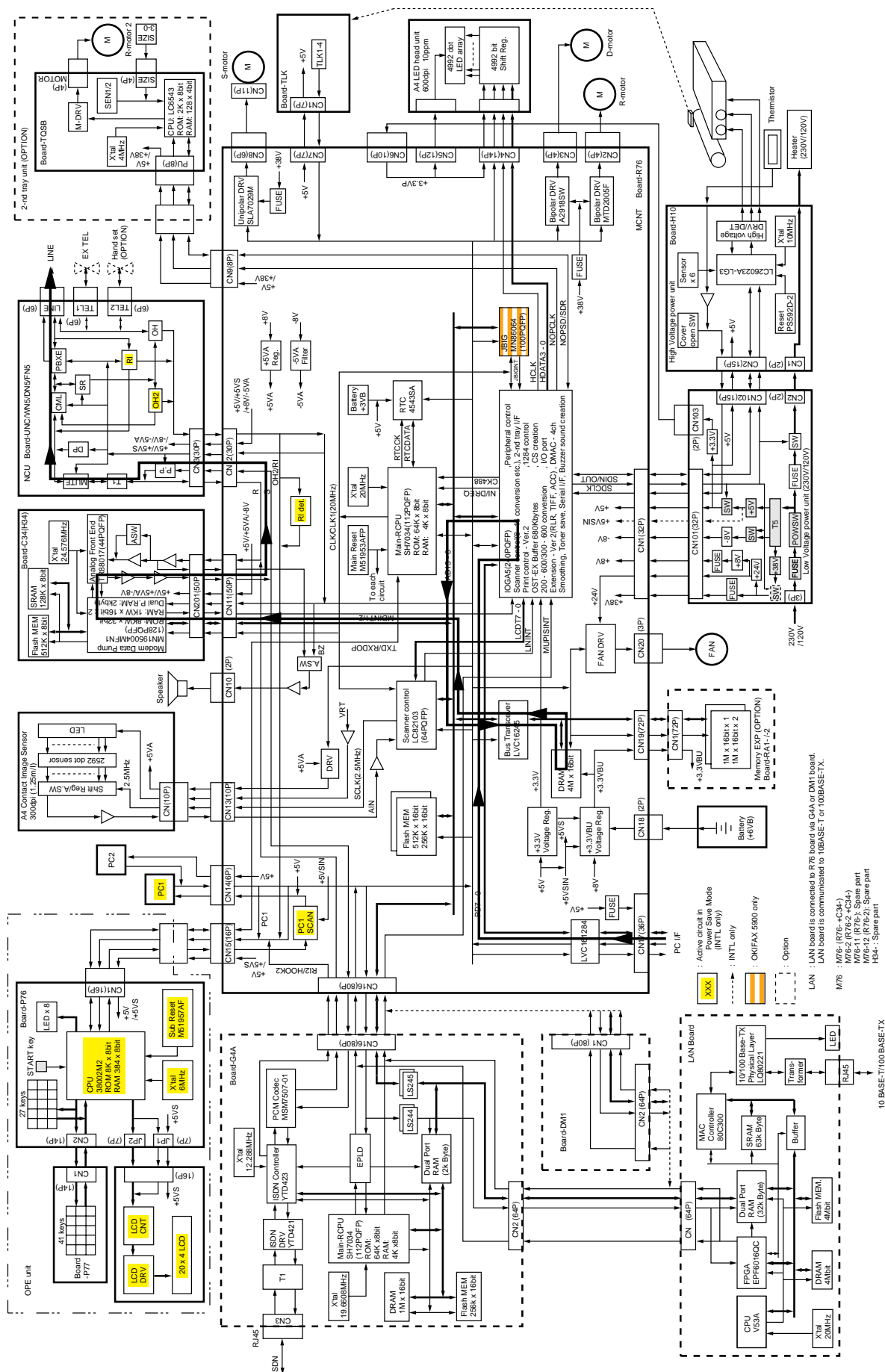
3-1 G3 RX (JBIG) OKIFAX 5900



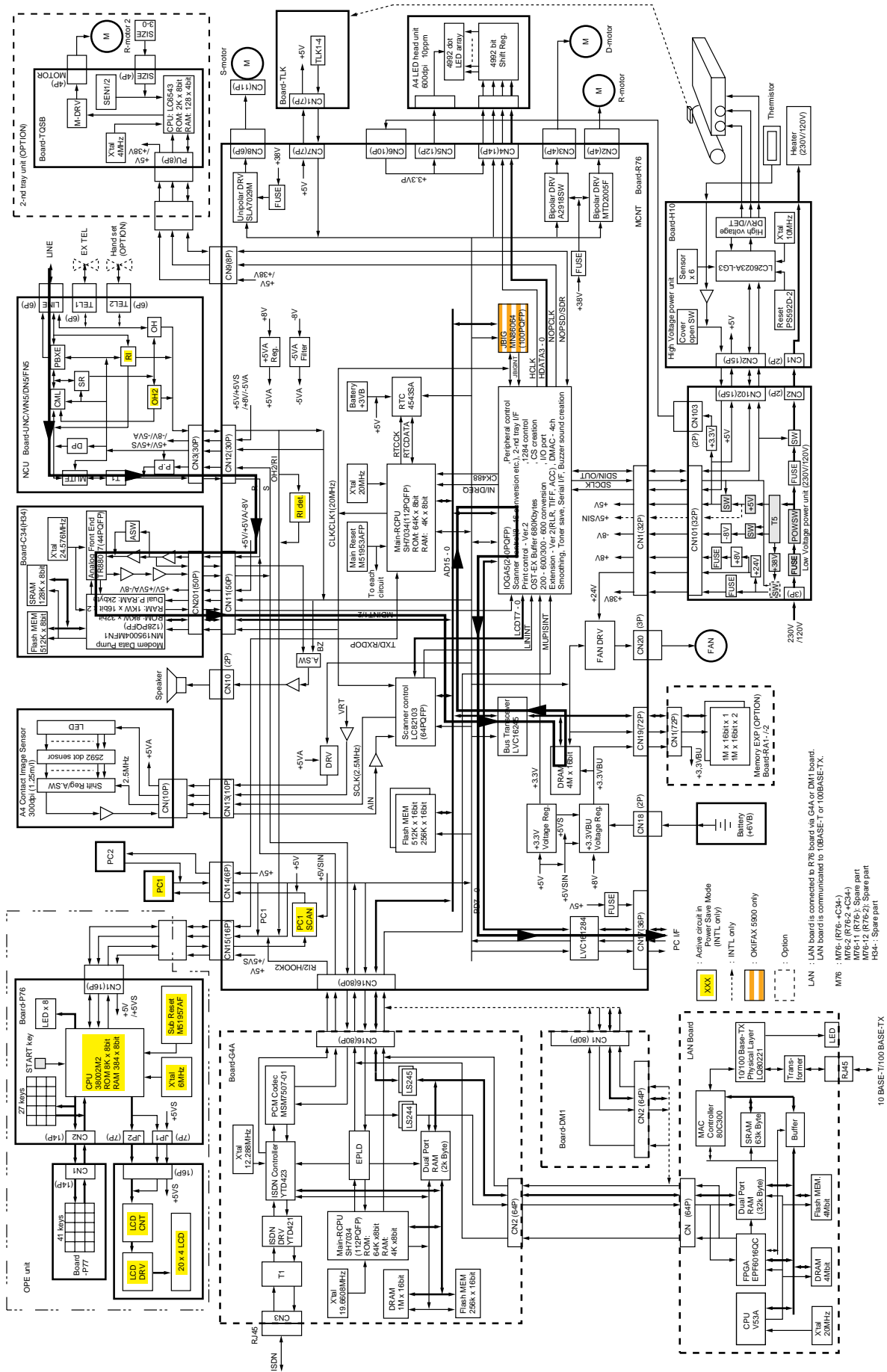
4. PC print (Option)



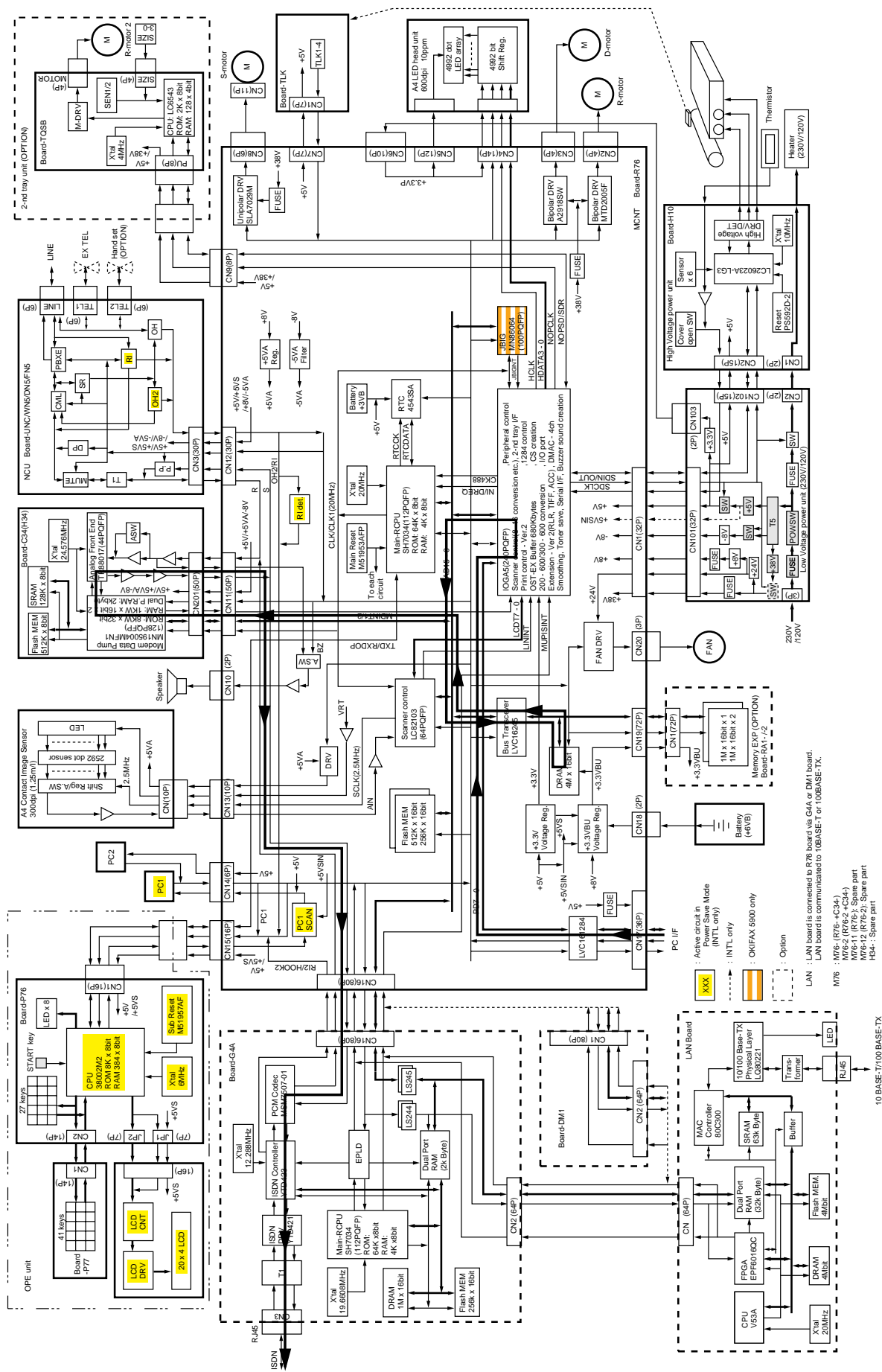
6. PC-FAX TX (Option)



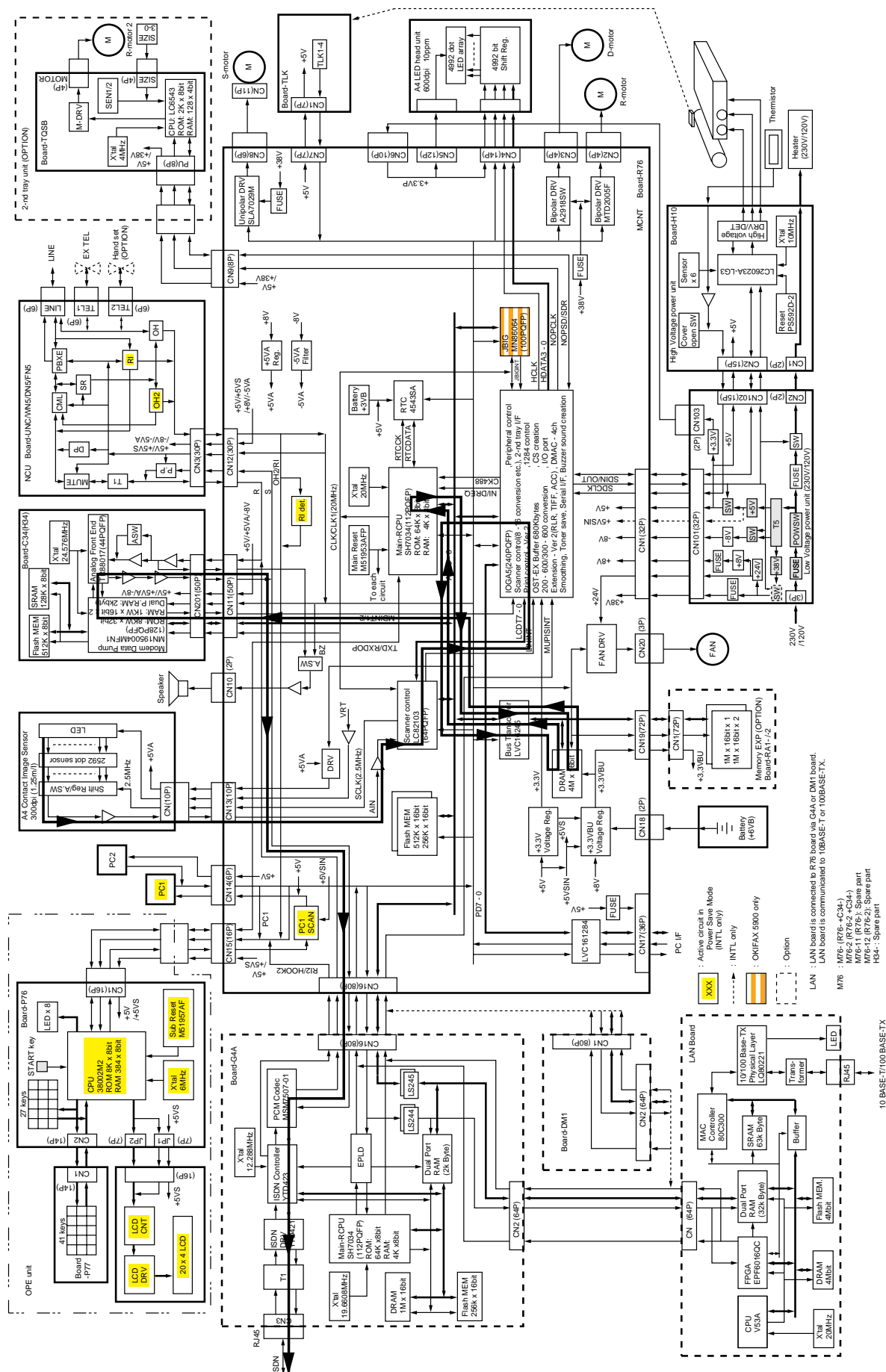
7. PC-FAX RX (Option)



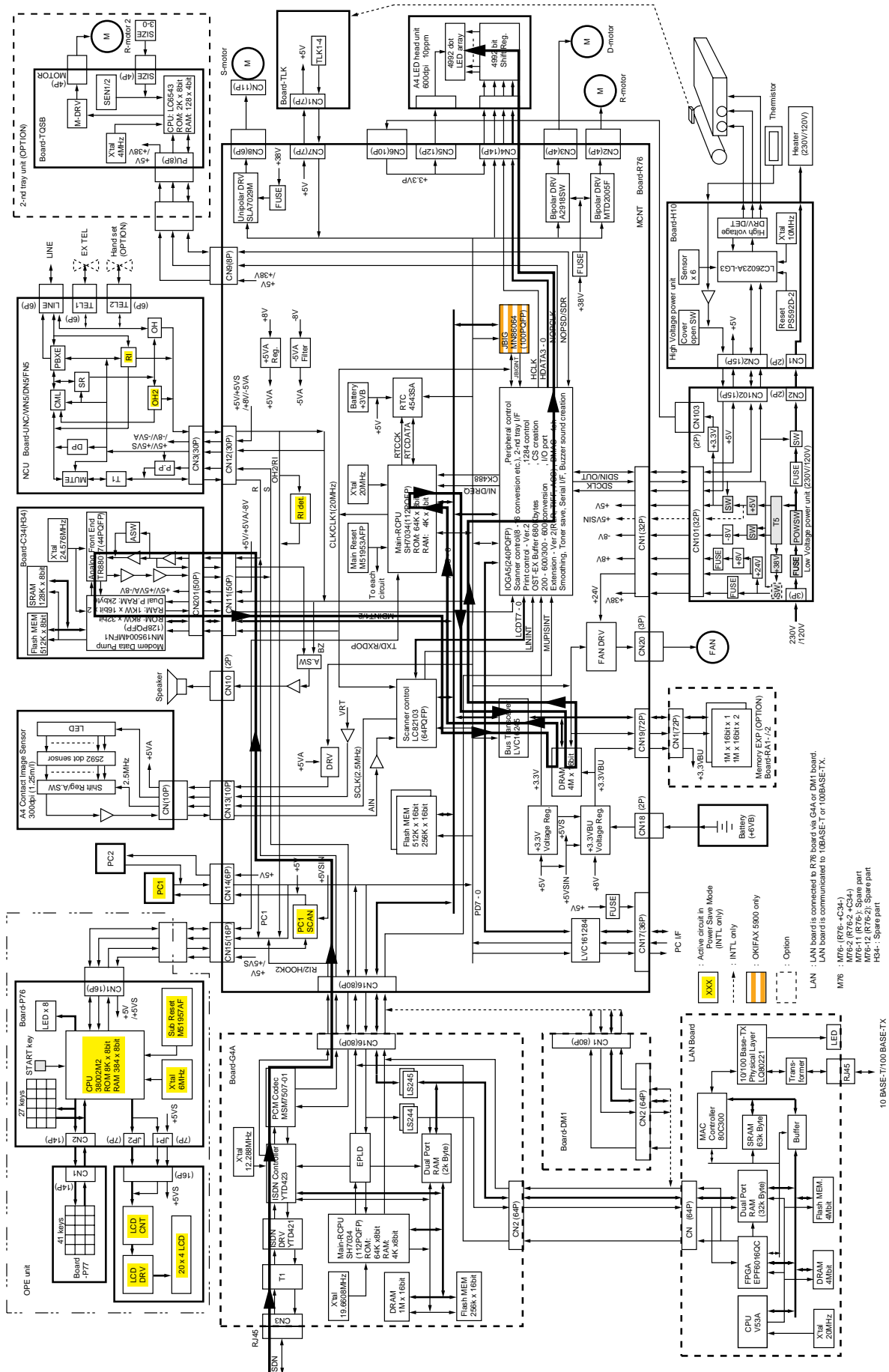
8. ISDN PC-FAX G3 TX (Option)



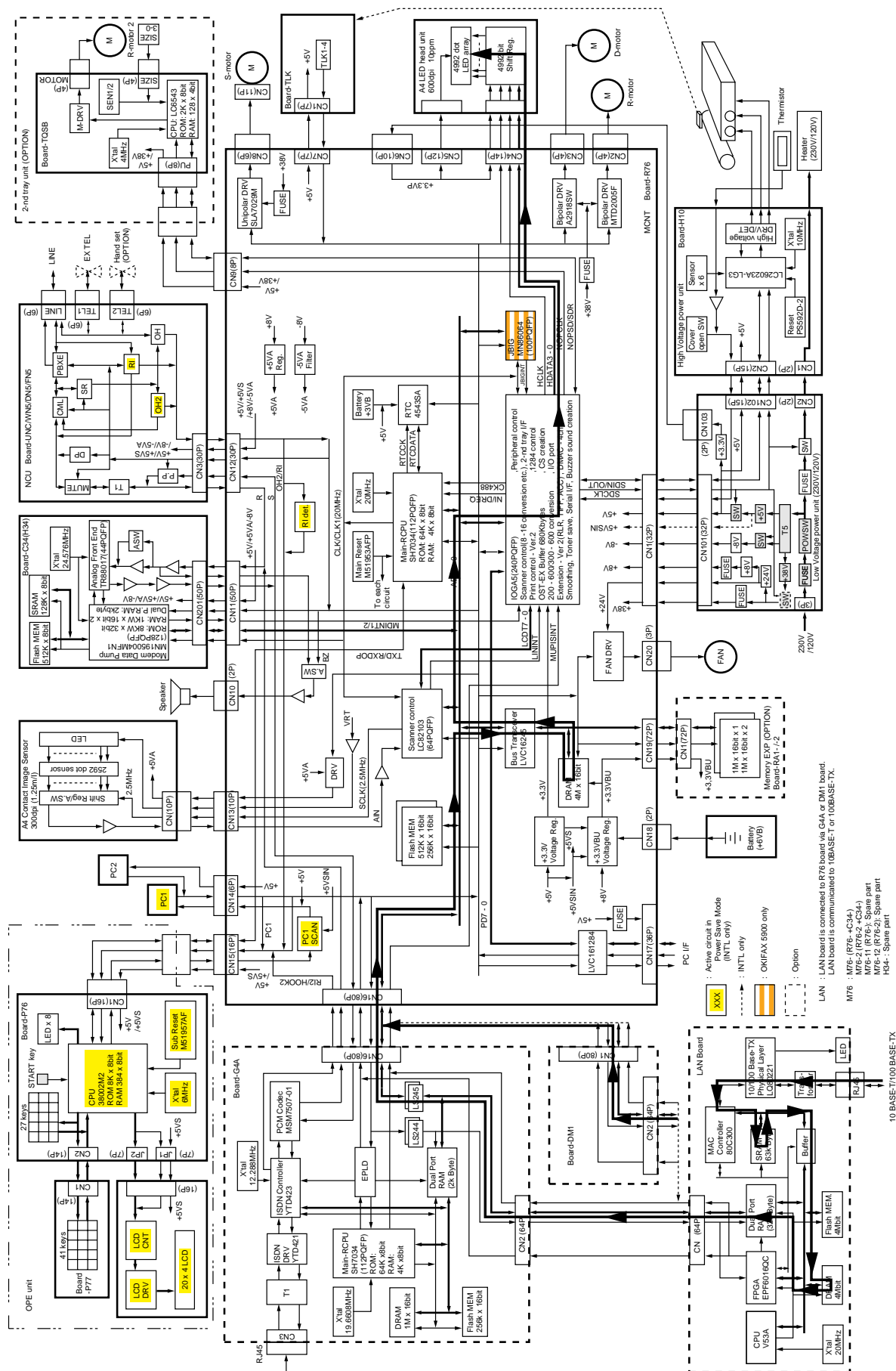
10. ISDN G3 TX (Option)



11. ISDN G3 RX (Option)



14. LAN print (Option)



A2.2 Explanation of Signal Flowchart

(1) Copy Mode

The analog data output from the image sensor is input to the MCNT-PCB to be amplified by the amplifier. The amplified analog data is input to the scanner controller. Next, the analog data is converted to digital data by the built-in A/D converter. The digital data is corrected by the internal correction function, transferring binary-coded data to the IOGA5 every eighth pixel. The data input to the IOGA5 is temporarily written into the external DRAM (4 megabits x 16 bits). The written data is sent, through the IOGA5, to the LED head in sync with the print operation.

(2) G3 Send Mode (MH/MR/MMMR Codes)

The analog data output from the image sensor is input to the MCNT-PCB to be amplified by the amplifier. The amplified analog data is input to the scanner controller. Next, the analog data is converted to digital data by the built-in A/D converter. The digital data is corrected by the internal correction function, transferring binary-coded data to the IOGA5 every eighth pixel. The data input to the IOGA5 is temporarily written into the external DRAM (4 megabits x 16 bits). The written data is converted to MH/MR/MMR codes by firmware, then written into the external DRAM again. The converted data is sent to the modem board to be modulated. The data modulated by the modem is sent to the NCU board by the Send signal "S." The data sent to the NCU board is amplified there, then output to the public line.

(3) G3 Receive Mode (MH/MR/MMR Codes)

The signal input from the public line to the NCU board is amplified, input to the modem board as an R signal, demodulated by the modem, and written into the DRAM on the MCNT PCB. MH/MR/MMR-code data is converted to image data by firmware and written into the DRAM again. The written data is sent, through the IOGA5, to the LED head in sync with the print operation.

(4) G3 Receive Mode (JBIG Code)

The signal input from the public line to the NCU board is amplified, input to the modem board as an R signal, demodulated by the modem, and written into the DRAM on the MCNT PCB. JBIG-code data is sent to the JBIG control LSI chip to be converted to image data. Then, the image data is written into the DRAM. The written data is sent, through the IOGA5, to the LED head in sync with the print operation.

(5) G3 Send Mode (JBIG Code)

The analog data output from the image sensor is input to the MCNT-PCB to be amplified by the amplifier. The amplified analog data is input to the scanner controller. Next, the analog data is converted to digital data by the built-in A/D converter. The digital data is corrected by the internal correction function, transferring binary-coded data to the IOGA5 every eighth pixel. The data input to the IOGA5 is temporarily written into the external DRAM (4 megabits x 16 bits). The written data is converted to MH/MR/MM codes by firmware, then written into the external DRAM again. The converted data is sent to the JBIG control LSI chip to be converted to JBIG codes. Next, the JBIG-code data is sent to the modem board to be modulated. The data modulated by the modem is sent to the NCU board by the Send signal "S." The data sent to the NCU board is amplified there, then output to the public line.

(6) PC Print

The data input from the MCNT's parallel I/F is input, through the IOGA5, to the DRAM using DMA.

The input data is transferred to the DEC block in the IOGA5 using DMA.

In the DEC block, the data is expanded in the 1-line raster buffer in the IOGA5. Then, the expanded data is sent to the video block in the IOGA5 in response to a 1-line synchronous signal. In the video block, image processing is performed for printing and the resultant data is transferred to the LED head.

(7) PC Scanner

The analog data output from the image sensor is input to the MCNT-PCB to be amplified by the amplifier. The amplified analog data is input to the scanner controller. Next, the analog data is converted to digital data by the built-in A/D converter. The digital data is corrected by the internal correction function, transferring binary-coded data to the IOGA5 every eighth pixel. The data input to the IOGA5 is temporarily written into the external DRAM (4 megabits x 16 bits). The written data is compressed to TIF data by firmware, then written into the external DRAM again. The written TIF data is sent to the MCNT's parallel I/F through the IOGA5.

A3.1 MCNT

A3.1.1 CPU

A3.1.1.1 Functions

A 32-bit RISC CPU is used as a core and it is provided with the following peripheral functions:

- Built-in PROM/Mask ROM
- Built-in RAM
- Bus state controller (DRAM control and chip select creation)
- Interrupt controller
- DMA controller
- 16-bit timer pulse unit
- Serial communication interface

(1) CPU's throughput

The basic clock frequency is 20 MHz. A program/data is stored in the built-in ROM/RAM. The rated throughput is 20 MIPS when optimum object code has been created. However, the actual throughput is reduced due to the access times needed by external devices.

(2) Built-in PROM/Mask ROM

The built-in ROM size is 64 KB and memory addresses range from 000000h to 000FFFh.

(3) Built-in RAM

The built-in RAM size is 4 KB and memory addresses range from FFFF000h to FFFFFFFh.

(4) Bus state controller

The bus state controller controls the DRAM and accesses the flash ROM and external devices.

(Figure 6.1 shows the timing chart of the basic bus cycle.)

(5) Interrupt controller

This system has nine interrupts. Three interrupts /IRQ 4, /IRQ6, and /IRQ7 are used but the other six interrupts /IRQ0 to /IRQ3, IRQ5, and NMI are not used.

Interrupts are allocated as follows:

/IRQ7 = Print-related user timer interrupt

/IRQ6 = Matsushita V.34 modem interrupts 1 and 2, Sanyo V.17 modem, encryption, line ringing tone (Ring), Sanyo read control IC

/IRQ4 = Centronics I/F controller interrupt, JBIG chip interrupt, MUPIS I/F, power I/F, second tray I/F, user DMA channel 4/5 (Centronics), use DMA channel 6/7 (JBIG)

(6) DMA controller

Two channels of DMAs with external transfer request (DREQ) and acknowledge (DACK) pins and two channels of DMAs without DREQ/DACK pins are incorporated.

DMA channel 0 (with DREQ/DACK): Used for transfer from read image processing LSI chip to memory.

DMA channel 1 (with DREQ/DACK): Used for transfer from memory to IOGA print image processor.

DMA channel 2 (without DREQ/DACK): Not used.

DMA channel 3 (without DREQ/DACK): Used to count main motor operating pulses.

(7) 16-bit timer pulse unit

Channels are used as follows:

ITU channel 0: Used as a 5-ms system timer.

ITU channel 1: A desired time-out time (0 - 13.1 ms) can be specified in steps of 0.2 μ s.

ITU channel 2: A 204.8- μ s (4.883 kHz) clock signal is input from the TCLKC pin. The clock signal is used in the external clock count mode to make measurement in units of 204.8 μ s. The measurement range is from about 0.2 ms to 13.422 sec.

ITU channel 3: Used for drum motor phase control.

ITU channel 4: Used for resist motor phase control.

(8) Serial communication interface

In this system, SCI channel 0 is used in the start-stop mode as the interface with the OPE.

A3.1.2 IOGA5

A3.1.2.1 Purpose and Overview of This ASIC

This ASIC is used for the OKIFAX 5700/5900.

It controls the facsimile and printer, provides an interface with the PC, and implement MFP and the functions listed below.

The block diagram of this ASIC is shown on the next page.

Major functions of this LSI are as follows:

(1) Printer control

T600 dpi printing/ACC expansion/200-600 conversion or 300 \times 600 conversion/
smoothing (200 \times 600)/high voltage control

(2) Interfacing with scanner control LSI

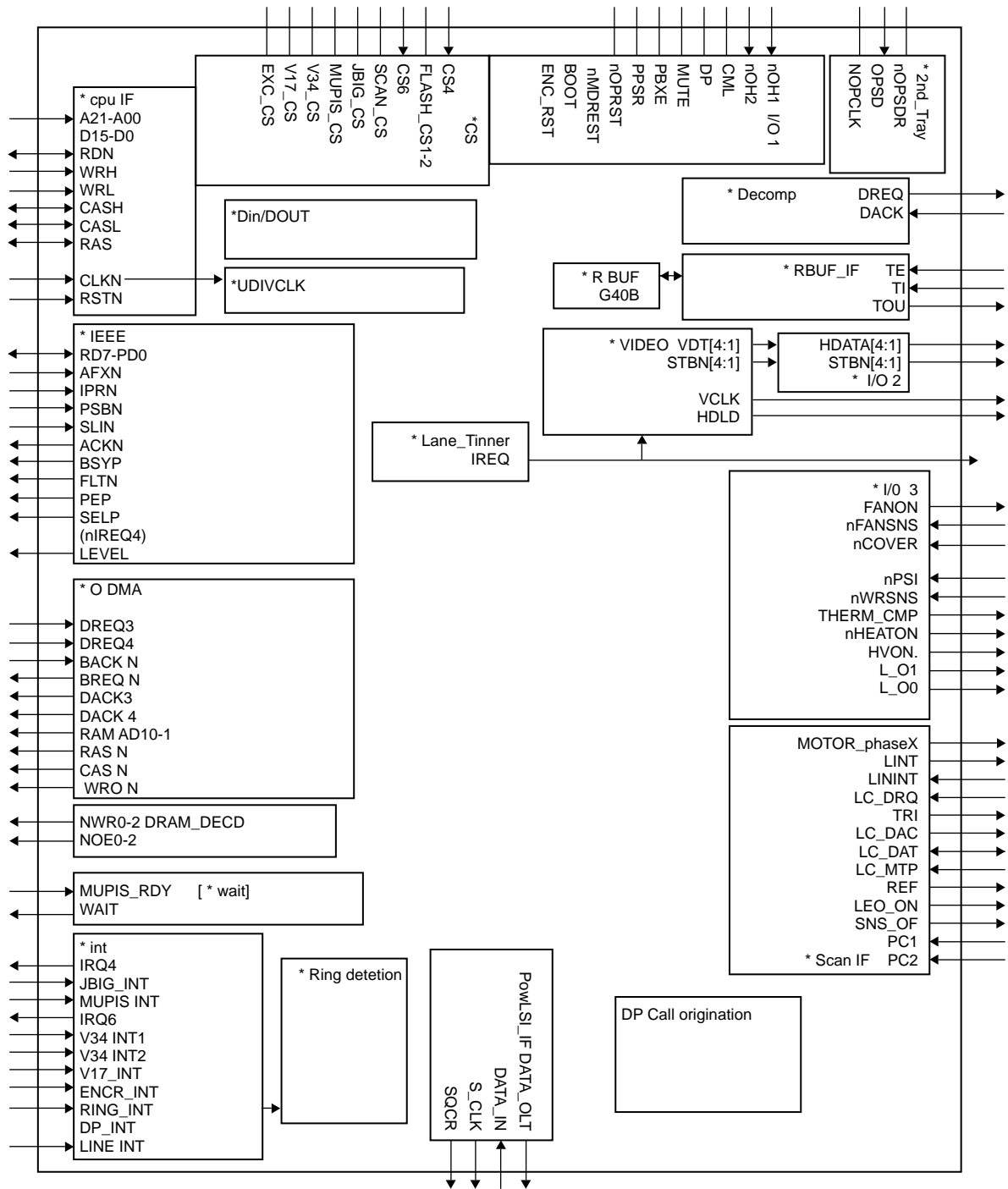
8-to-16 conversion

(3) IEEE1284 control

(4) DMA 4-channel

(5) Peripheral control

CS generation/ I/O port



A3.1.3 Scanner Control

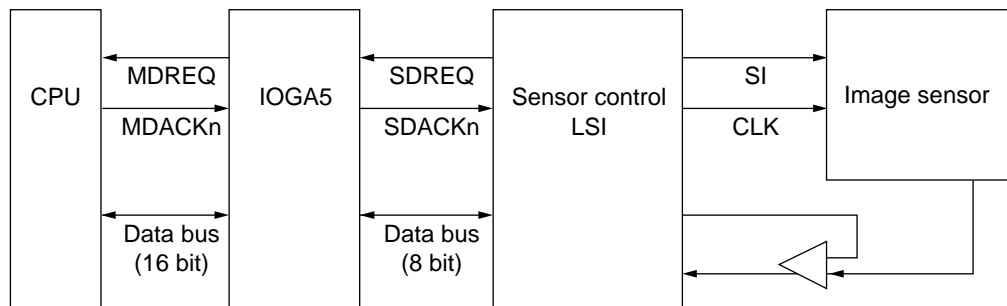
A3.1.3.1 Overview

This system uses a monochromic 300-DPI image sensor. It also uses a 1-chip LSI for sensor control.

The overall block diagram is shown on the next page.

(1) Interface

The IOGA5 receives image data from the sensor control LSI, and sends it to the host CPU in blocks of 16 bits (2 words).



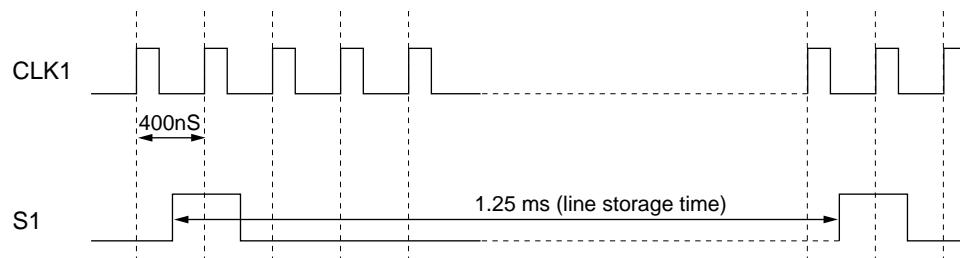
(2) Sensor Specifications

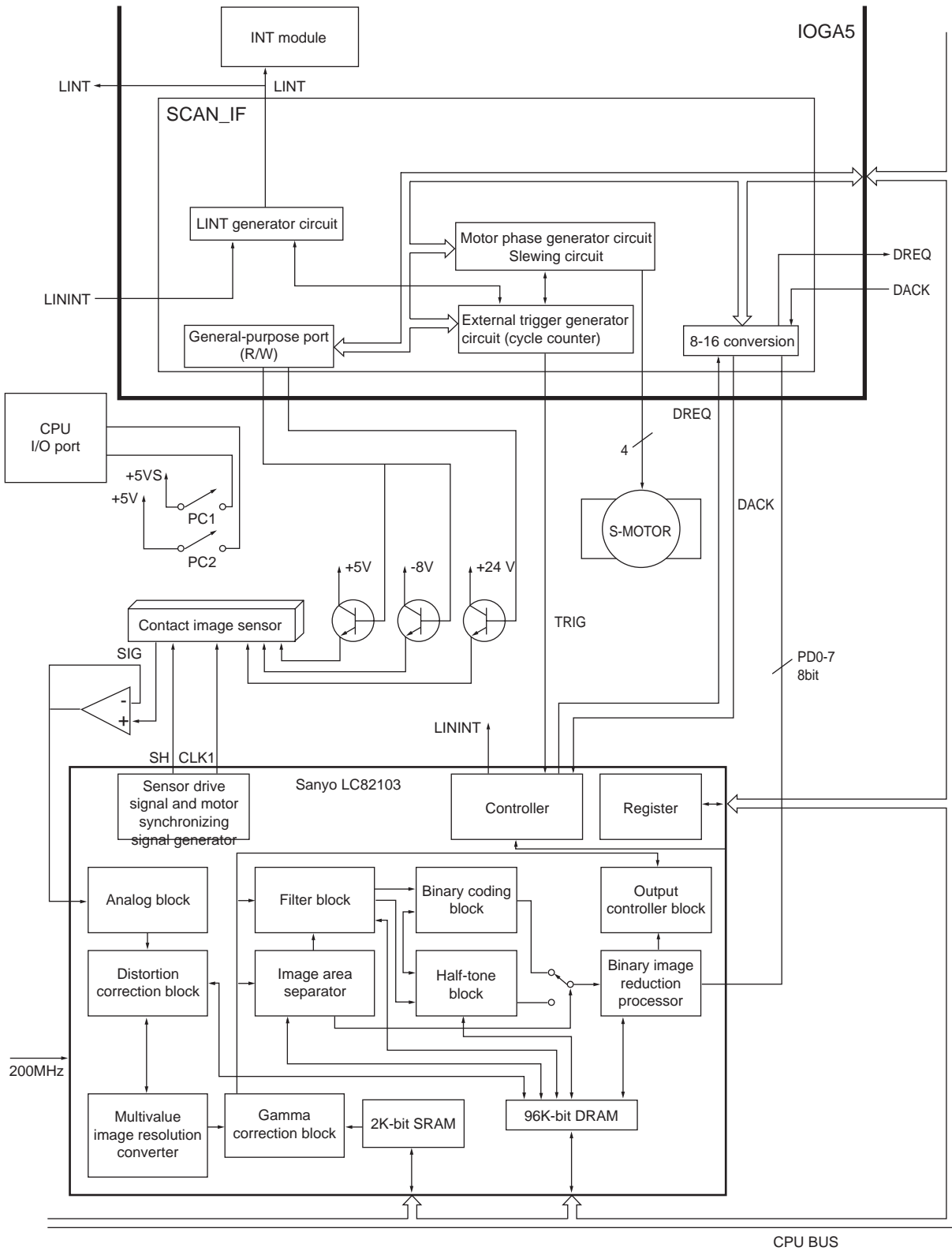
Pixel density: 300 DPI

Number of significant pixels: 2552 dots

Pixel clock frequency: 2.5 MHz

The input signal timing chart is shown below.

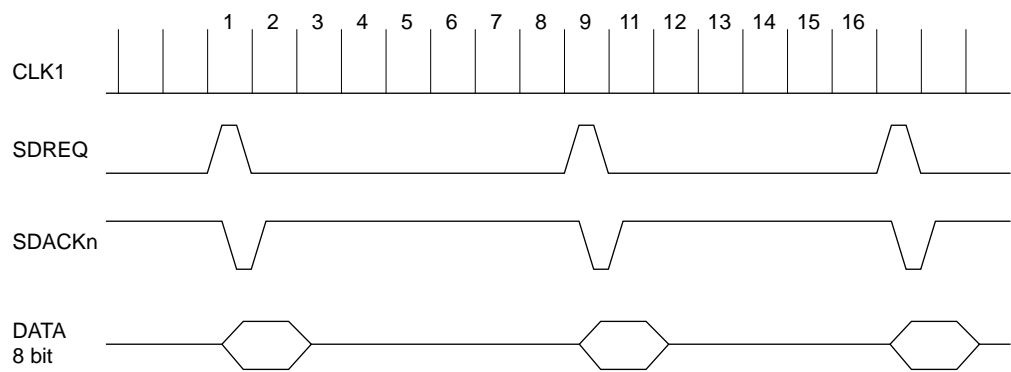




(3) Image LSI Specifications

The analog image data from the image sensor is amplified about 4.3 times in the external non-reverse amplifier circuit and the amplified analog data is input to this LSI chip. In this LSI chip, the analog data is converted to digital data by the built-in A/D converter and the digital data is corrected by the internal correction function, thus sending binary-coded data to the IOGA5 every eighth pixel normally. When contrast is corrected, multi-valued data is sent for each pixel. When horizontal scanning lines are skipped, a request is suppressed every three requests. A sensor drive signal (CLK1) and motor synchronizing signal (SH) are output to the image sensor.

The timing of data transfer to/from the IOGA5 is shown below.



A3.1.4 JBIG Control

A3.1.4.1 Overview

JBIG control is performed by converting codes using the MN86064, a CODEC LSI chip that is fully compliant with ITU-T.85 (JBIG Facsimile Application). Major functions of the MN86064 are listed below. The system configuration is shown on the next page.

- Coding/decoding (MH, MR, MMR, JBIG)
- Code conversion (between different types of codes)
- Scaling (Horizontal scanning = 0.1% to 400%; Vertical scanning = 0.006% to 400%)
- Decoding error processing (leading line or white line)
- Both ends white masking
- Time-division multiplexing

A3.1.4.2 Code conversion

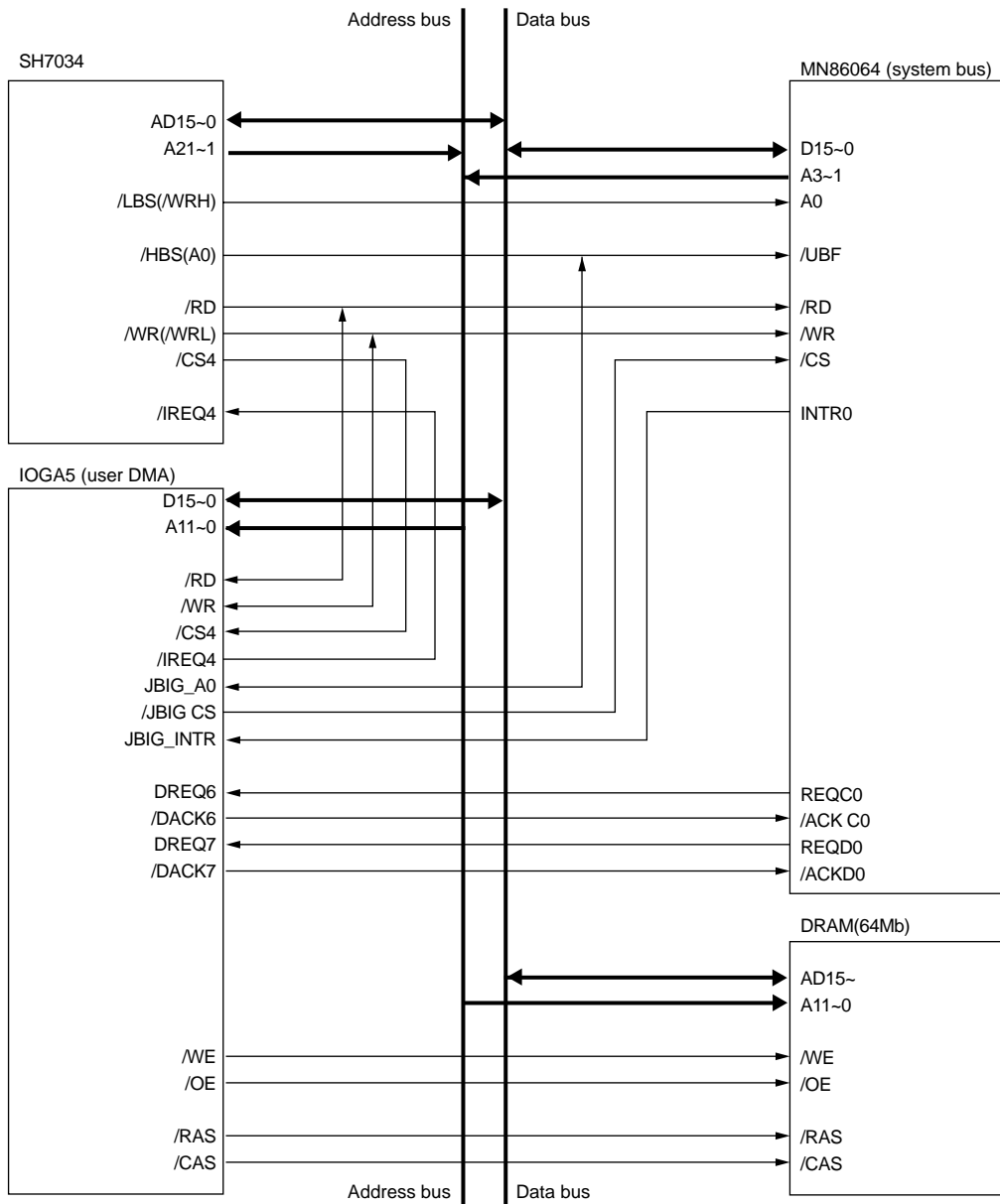
At the time of reception, JBIG codes are converted to image data in this LSI chip. At the time of transmission, image data is converted to MMR data and then this MMR data is converted to JBIG data in this LSI chip.

A3.1.4.3 CPU access

This LSI chip allows both 16-bit word access and 8-bit byte access. However, since this LSI has registers that allow only byte access, so it performs word access and byte access only in 16-bit spaces.

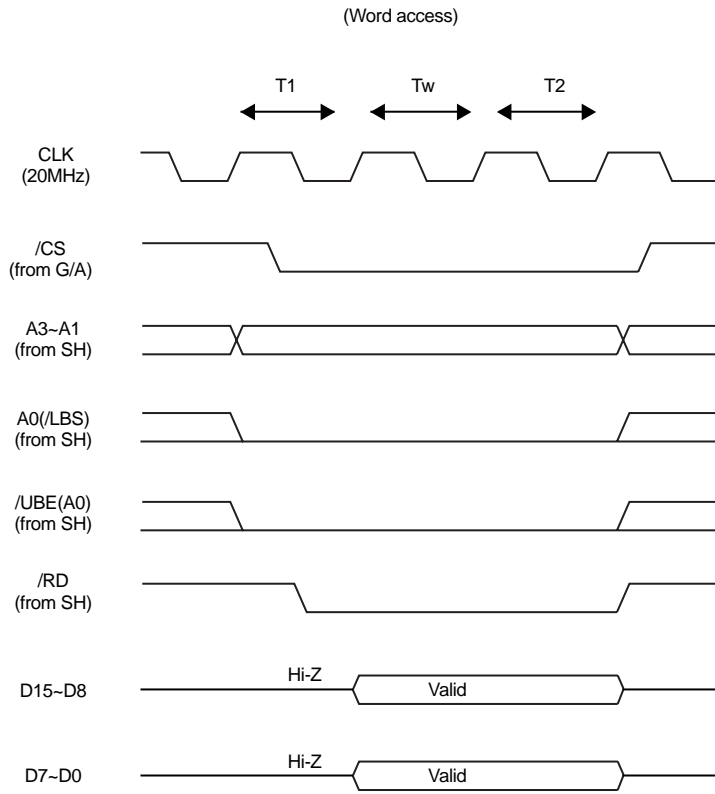
The CPU read (word access) timing chart is shown on the next page.

System Configuration



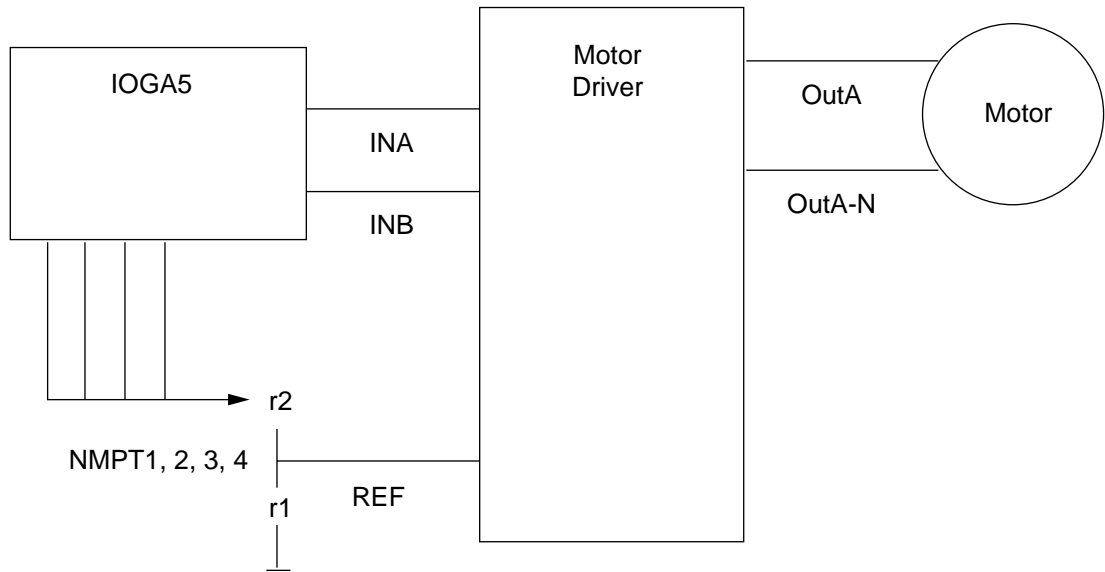
Note 1: JBIG_A0, /RD, and /WR of the IOGA5 are two-way pins.

The CPU read (word access) timing chart is shown below.



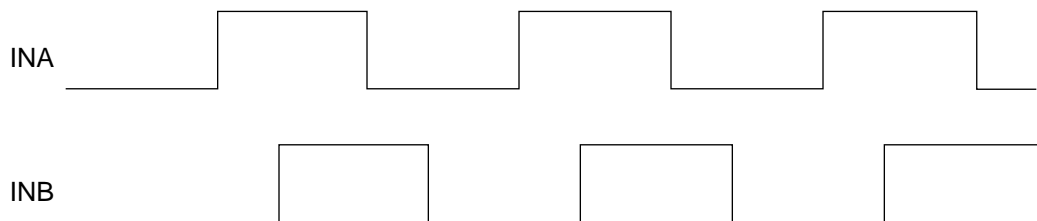
A3.1.5 Scanner Motor Control

The overall control circuit diagram is shown below.



Rotation of the scanner motor is controlled by the INA and INB signals output from the LSI chip (IOGA5) on the MCNT board. MNPT 1, 2, 3, and 4 signals change the reference voltage signal REF to alter the current values of scanner drive signals OutA and OutA-N, controlling the motor speed.

Waveforms of motor drive signals INA and INB are as follows:



A3.1.6 CPU Peripheral Circuits

A3.1.6.1 Memory

(1) DRAM

Size: 8 Mbytes (4 megabits x 16 bits; One chip)

Drive voltage: 3.3 V

The basic control signal is generated by the bus state controller incorporated in the CPU.

(2) Flash ROM

Size: 1.5 Mbytes (512K bits x 16 bits + 256K bits x 16 bits; A total of two chips)

A3.1.6.2 Peripheral elements

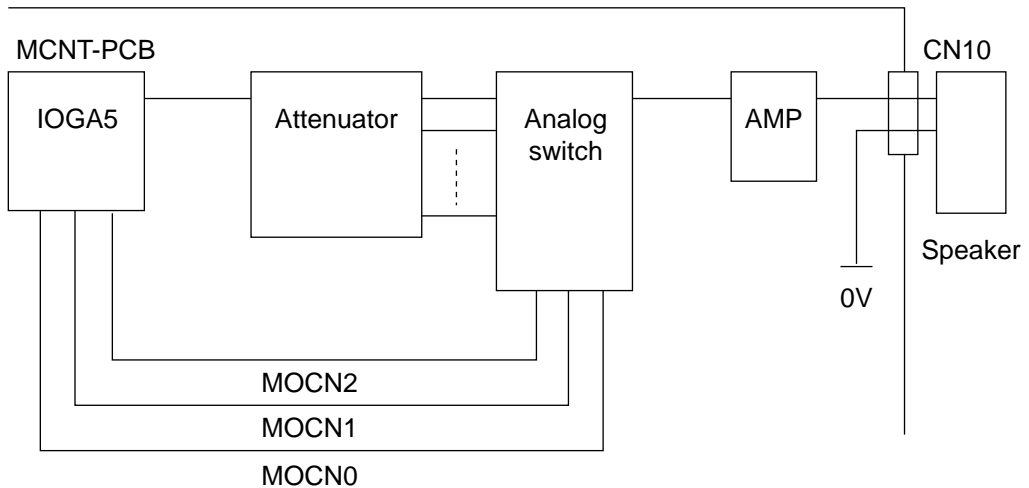
(1) Clock

A real-time clock IC (serial I/F) incorporating a crystal oscillator is used. Its basic frequency is 500 Hz. CPU pins 110 (RTCTXD), 109 (RTCDATA), and 112 (RTCCLK) are used as I/F signal pins. The drive voltage is 3 V and backed up by a dedicated lithium battery.

(2) Speaker drive circuit

A tone switching output board is used to switch between the 2441 Hz waveforms output from the LSI chip (IOGA5), issuing various buzzer sounds, key touch sound, ringing tone and line monitor sounds.

A block diagram is shown below.

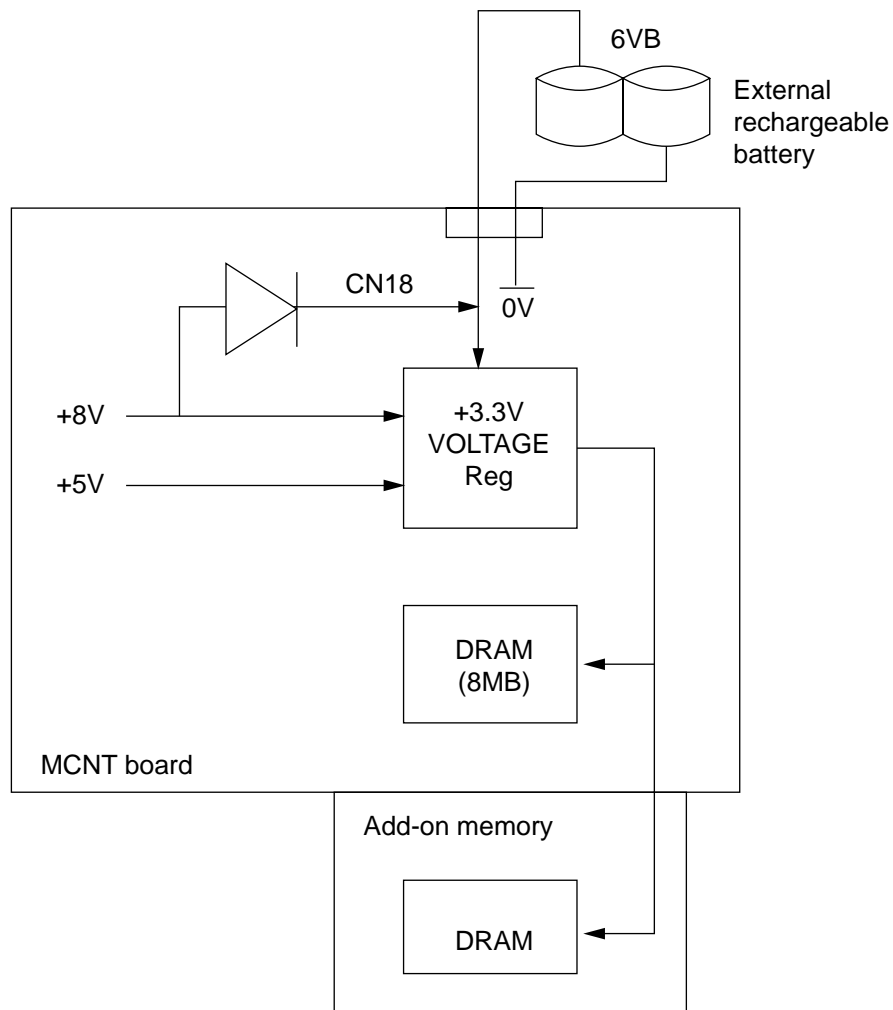


A3.1.6.3 Backup circuit

A rechargeable battery connected to the MCNT board externally supplies 6 V to the IC inside the MCNT board. This voltage is reduced to 3.3 V to be supplied to the DRAM and optional add-on memory. Thus, send/received data stored in the DRAM and optional add-on memory can be retained after power-off.

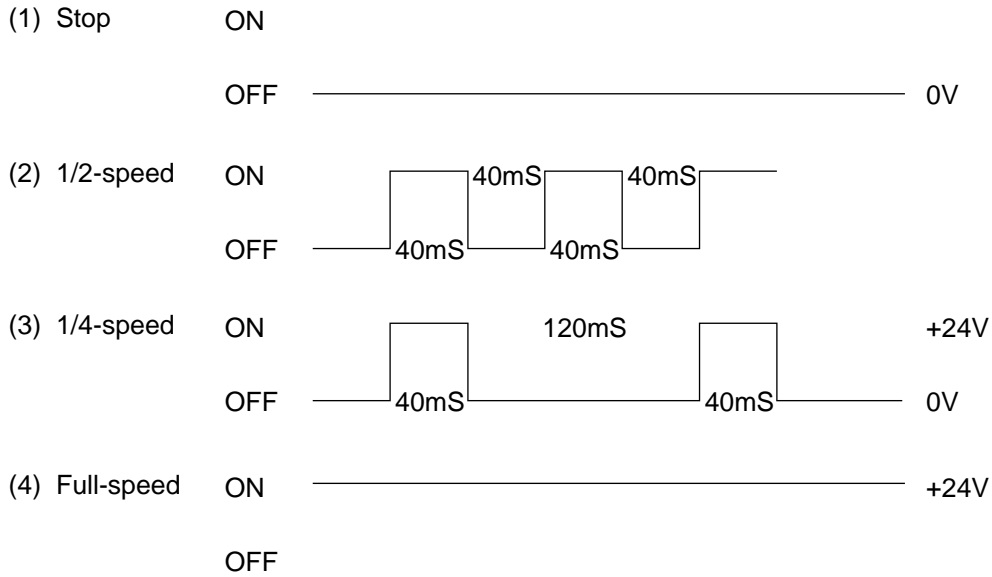
When the power is turned on, the internal IC reduces the +8 V and +5 V supplied from low-voltage power supplies down to 3.3 V, which is supplied to the DRAM. At the same time, +8 V is supplied to the external battery for recharging.

A block diagram is shown below.



A3.1.6.4 Fan control

One of the following fan control modes is selected depending on the heater temperature and system status.

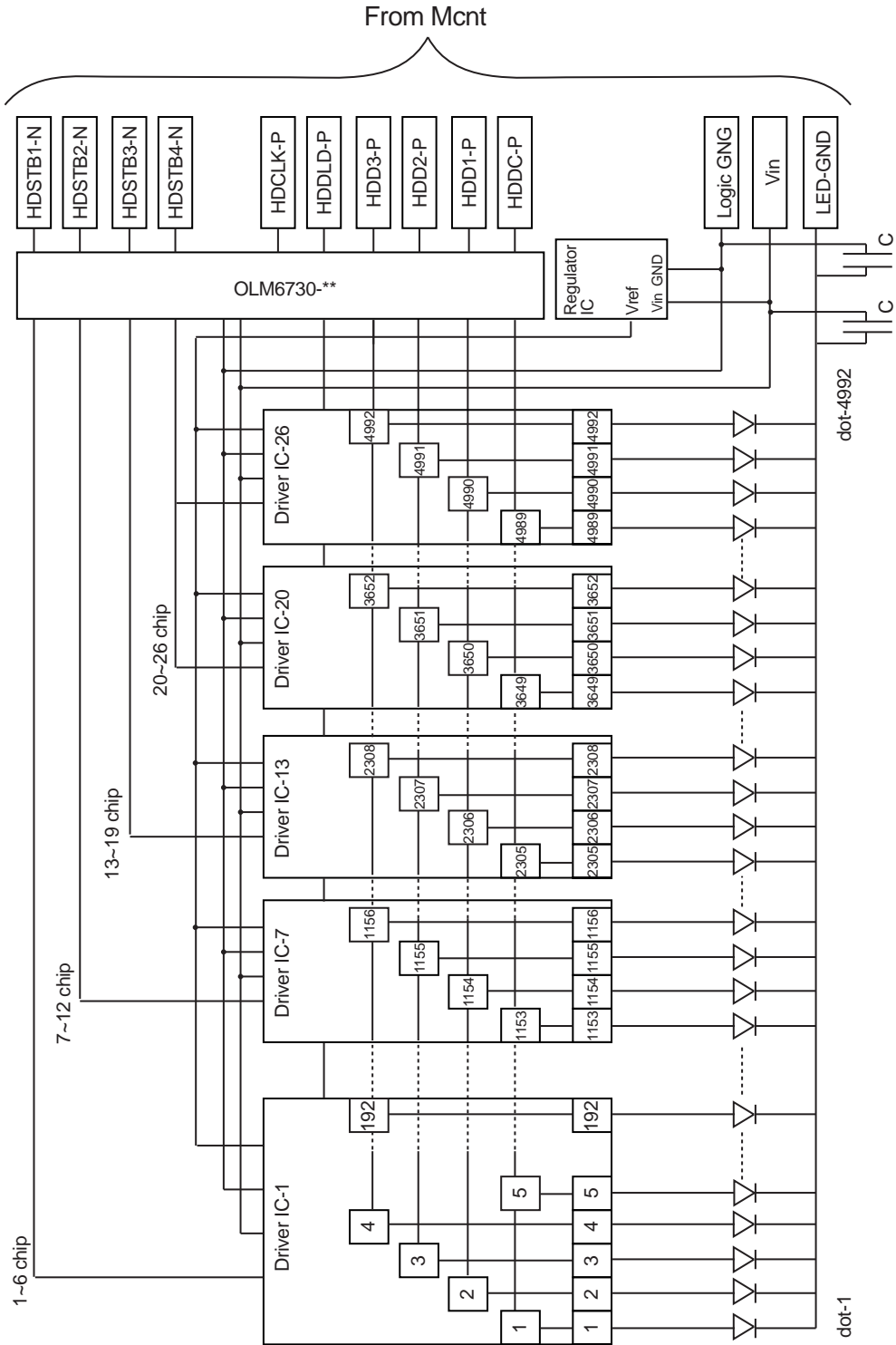


To detect fan errors, the fan sensor (FANALM-P) is monitored in the full speed mode. The fan sensor is not monitored for 3 seconds after the start of full speed operation taking into account the fan sensor output determination time.

The fan sensor is not monitored when the fan is rotating at 1/2 or 1/4 speed or it is at halt.

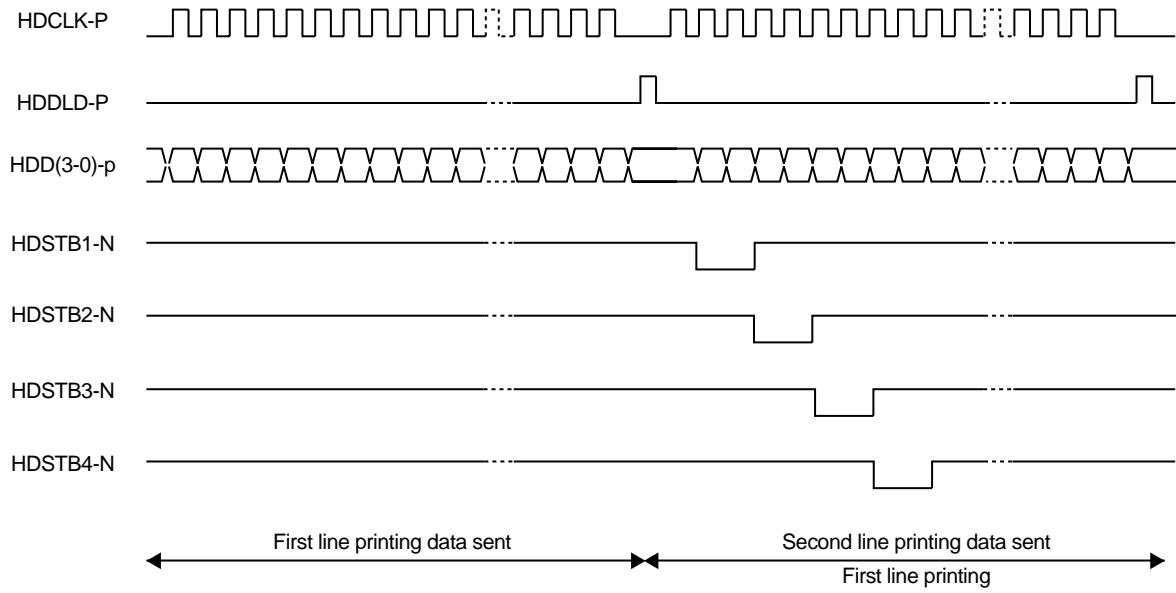
A3.1.7 LED Head Control

The IOGA5 on the MCNT board transfers image data to the LED head. After receiving the image data, the LED head illuminates in the next line cycle, exposing the drum. The head's internal block diagram is shown below. The timing charge is shown on the next page.



Head's Internal Block Diagram

Normal Mode Printing Timing Chart



A3.1.8 Heater Control

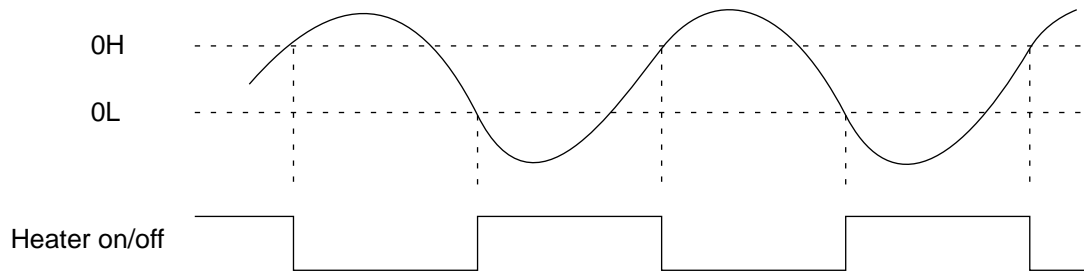
The heater temperature is controlled based on the 8-bit digital data obtained by performing serial communication with the high-voltage power supply unit taking into account the system status, paper size, paper source, and setting menu.

This system drives the drum motor and resist motor to feed paper before the fusing temperature is reached, thus starting printing as soon as possible after call termination.

If fusing is started immediately after the fusing temperature is reached, paper is liable to be wrinkled because of an overshoot.

To prevent this, fusing on the first sheet is started at a temperature lower than the normal fusing temperature.

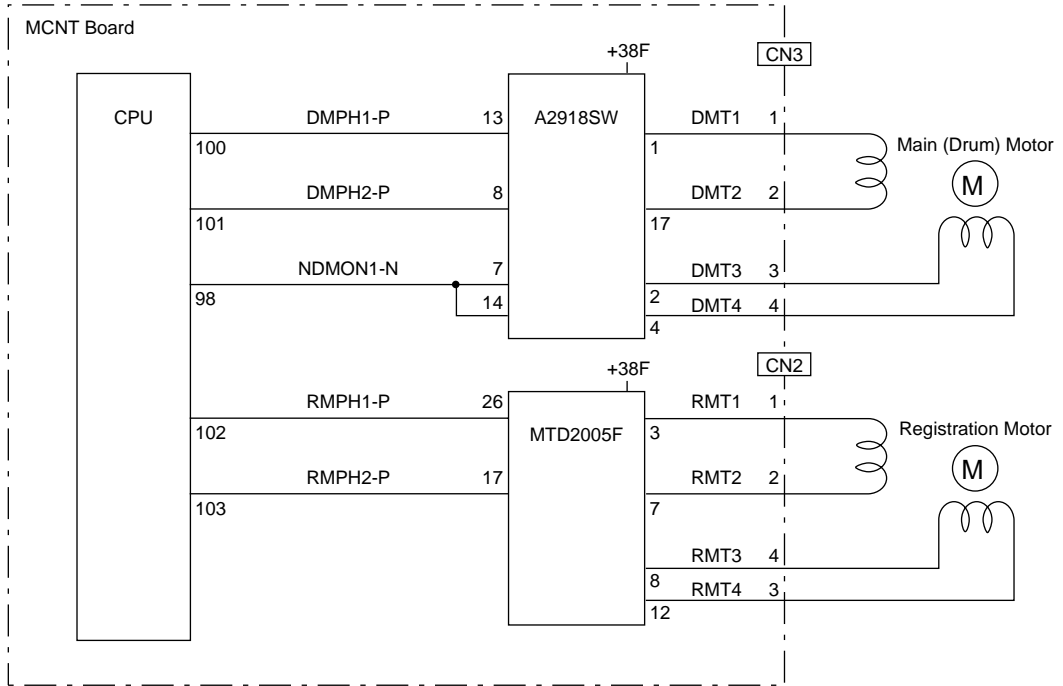
If an attempt is made to turn on/off the heater at an AD conversion value to maintain the temperature at a certain level, the heater may be turned on and off repeatedly due to AD conversion accuracy or noise, overloading the halogen lamp. To prevent this, the temperature at which the heater is turned on is separated far from the temperature at which the heater is turned off.



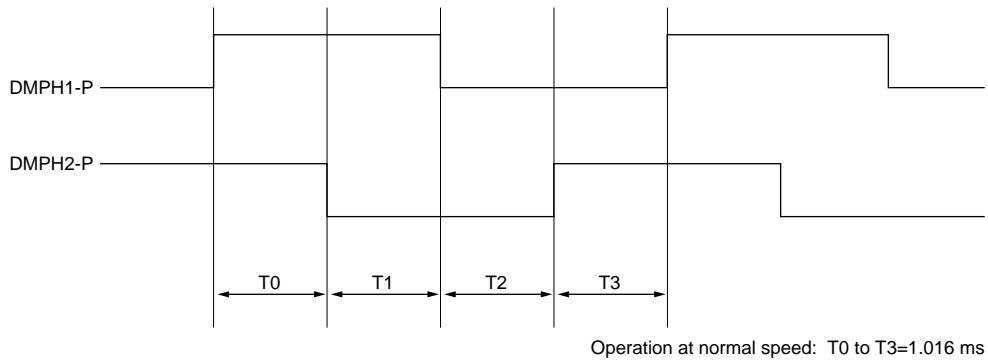
A3.1.9 Printer Motor Control

(1) Registration and main (drum) motors

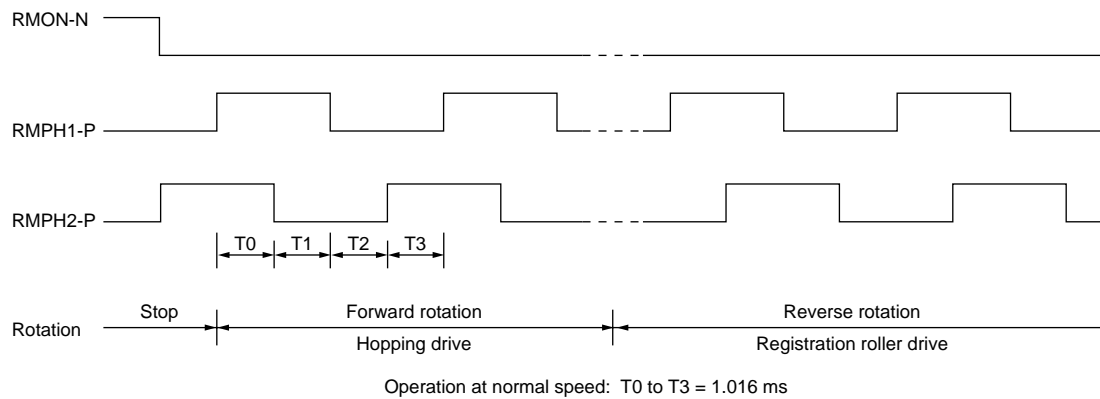
A registration motor and a drum motor are driven by means of control signals from the CPU and a driver IC.



(2) Drum motor



(3) Registration motor



(4) Drive control

Time T0 to T3 determines the motor speed, while the difference of phase direction between phase signals DMPH1-P and DMPH2-P (RMPH1-P and RMHPH2-P) determines the rotation direction, DMON1-N signals control a motor coil current. According to the polarity of the phase signal, the coil current flow as follows:

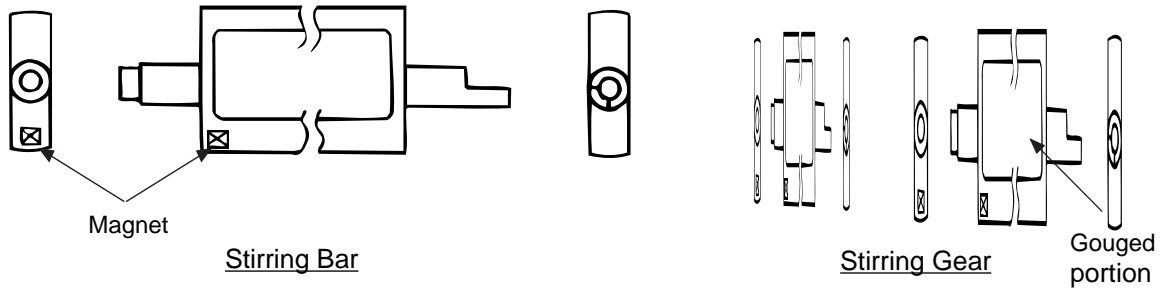
- 1) +38V \emptyset SW \emptyset motor coil \emptyset $\overline{\text{SW}}$ \emptyset resistor \emptyset earth, or,
- 2) +38V \emptyset $\overline{\text{SW}}$ \emptyset motor coil \emptyset SW \emptyset resistor \emptyset earth

The voltage drop across the resistor is input to comparator, where it is compared with a reference voltage. If an overcurrent flow occurs, a limiter operates to maintain it within a certain fixed amount of current.

A3.1.10 Toner Low Detection

- Device

The Toner Low Detection device consists of a stirring gear which rotates at a constant rate, a stirring bar and a magnet on the stirring bar. The stirring bar rotation is driven by the link to the gouged portion in the stirring gear.

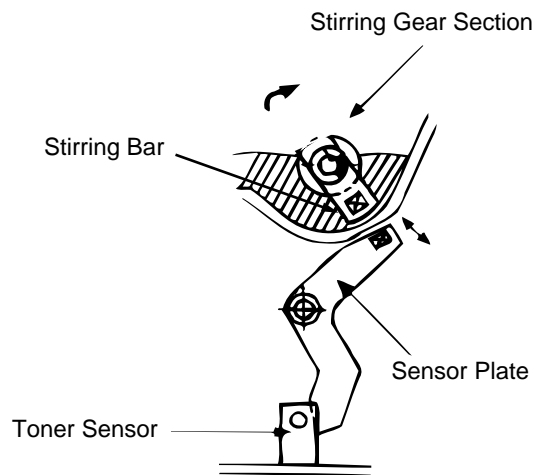


- Operation

Toner Low is detected by monitoring the time interval of the encounter of the magnet set on the sensor plate and the magnet on the stirring bar.

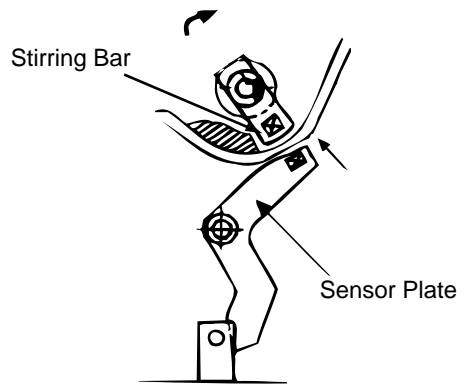
Operation during Toner Full state

- The stirring bar rotates due to the mechanical transmission of energy originating from the interlocking with the stirring gear.
- Even when the magnet on the stirring bar reaches the maximum height, the stirring bar is pushed by the stirring gear, since the other side is being dipped in the toner.

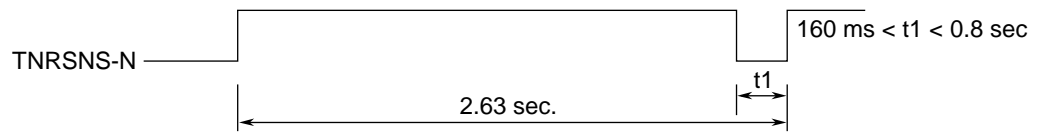


Operation during Toner Low state

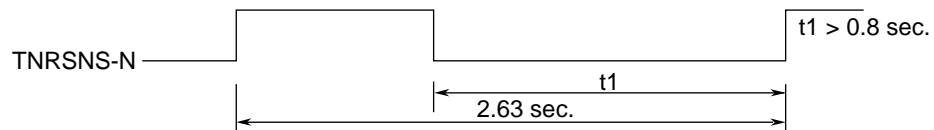
- When the stirring bar reaches the maximum height, it falls to the minimum height due to its own weight, since there is no resistance provided by the toner on the other side. Because of this, the time interval during which it is in encounter with the magnet of the sensor plate becomes longer. By monitoring this time interval, Toner Low state can be detected.



TONER FULL state



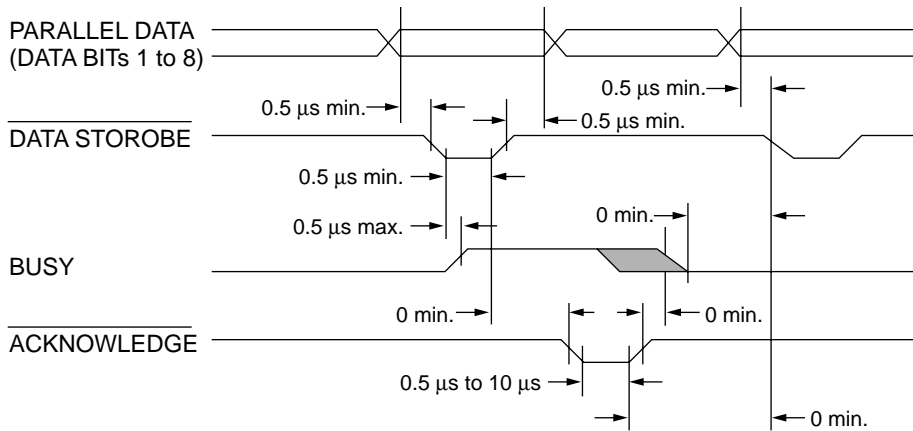
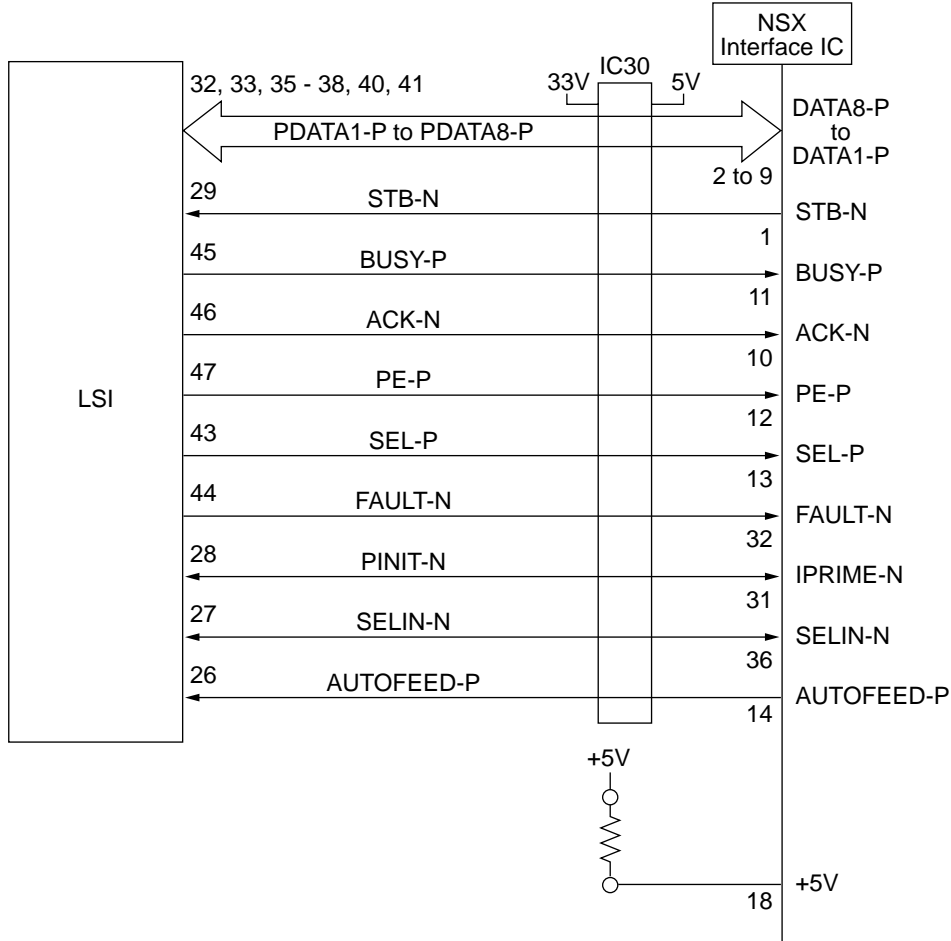
TONER LOW state



- When the Toner Low state is detected 2 times consecutively, Toner Low is established.
- When the Toner Full state is detected 2 times consecutively, Toner Low is cancelled.
- When there is no change with the toner sensor for 2 cycles (2.63 sec. x 2) or more, then the Toner Sensor Alarm is activated.
- The toner sensor is not monitored while the main (drum) motor is in a halt.

A3.1.11 Centronics Parallel Interface

The LSI sets a BUSY-P signal to ON at the same time when it reads the parallel data (PDATA1-P to PDATA8-P) from the parallel port at the fall of STB-N signal. Furthermore, it makes the store processing of receiving data into a receive buffer terminate within a certain fixed time and outputs an ACK-N signal, setting the BUSY-P signal to OFF.



A3.1.12 Electrophotographic Process

The electrophotographic processing is outlined below. The electrophotographic printing process is shown in Figure 2-4.

1 Charging

The surface of the image drum is charged uniformly with a negative charge by applying the negative voltage to the charge roller.

2 Exposure

Light emitted from the LED head irradiates the negatively charged surface of the image drum. The surface potential of the irradiated portion of the image drum surface becomes lower, forming the electrostatic latent image associated with the print image.

3 Developing and toner recovery

When the negatively charged toner is brought into contact with the image drum, it is attracted to the electrostatic latent image by static electricity, making the image visible.

At the same time, the residual toner on the image drum is attracted to the developing roller by static electricity.

4 Transfer

When paper is placed over the image drum surface, the positive charge which is opposite in polarity to that of the toner, is applied to the reverse side of the paper by the transfer roller. The toner is attracted by the positive charge and is transferred onto the paper. This results in the transfer of the toner image formed on the image drum onto the paper.

5 Temporary cleaning

Residual toner which remains on the image drum without being transferred is evened out by the cleaning roller and is temporarily attracted to the cleaning roller by static electricity.

6 Fusing

The toner image transferred onto the paper is fused to the paper by heat and pressure.

An electrophotographic process timing chart is shown in Figure 2-5.

Fig. 2-4

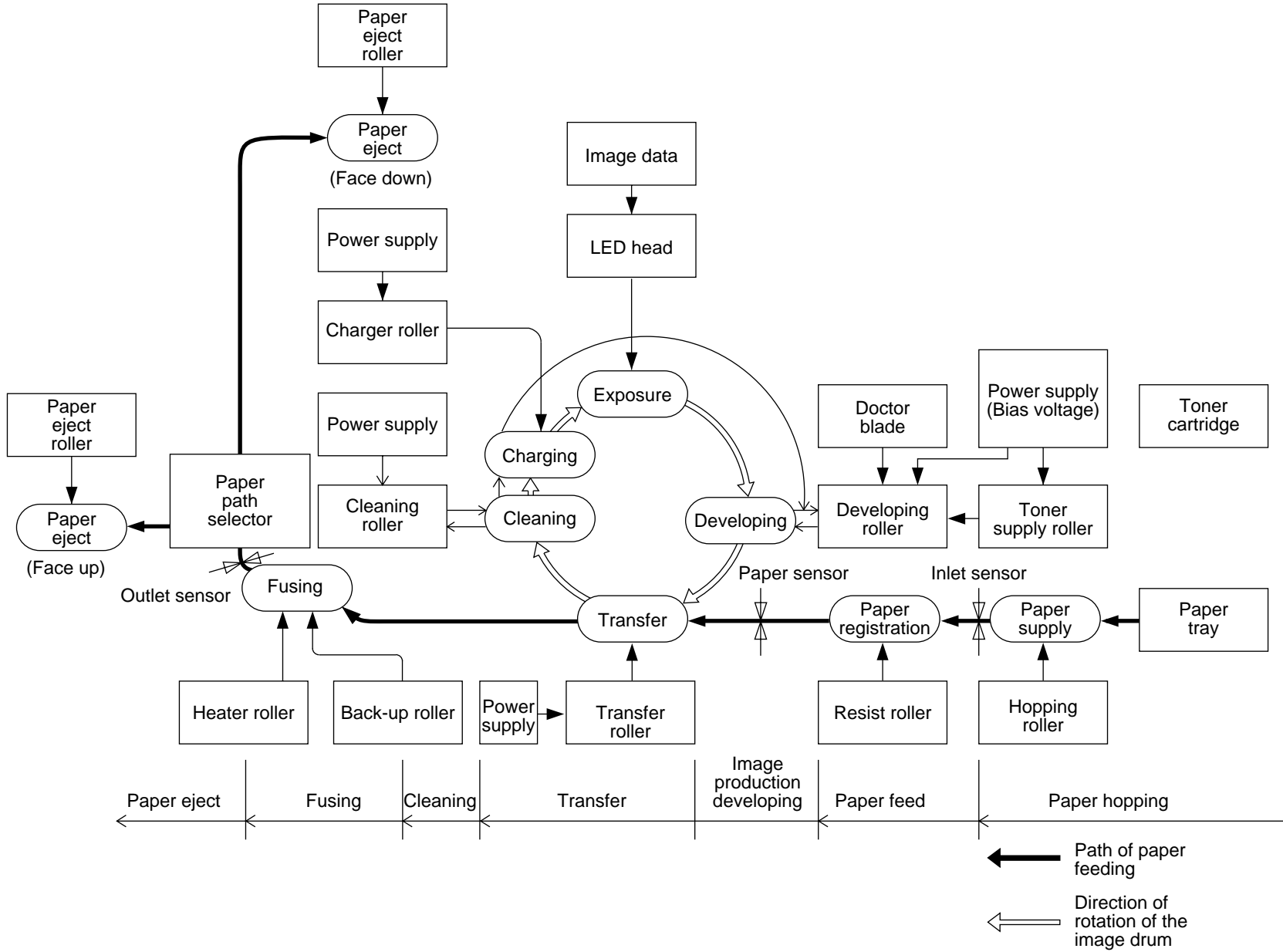
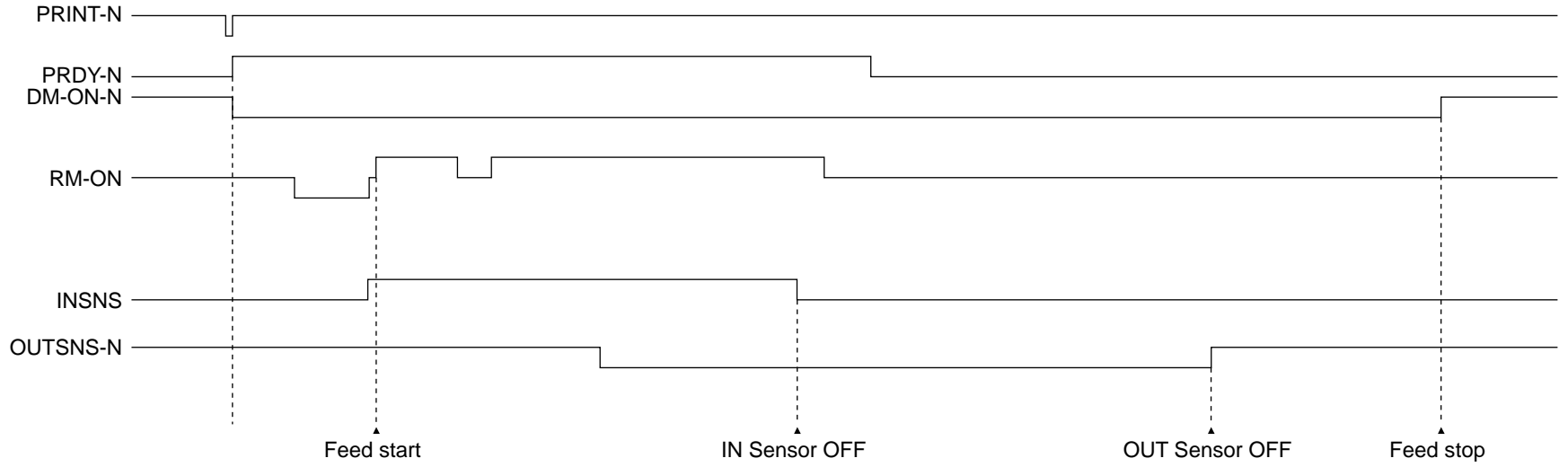


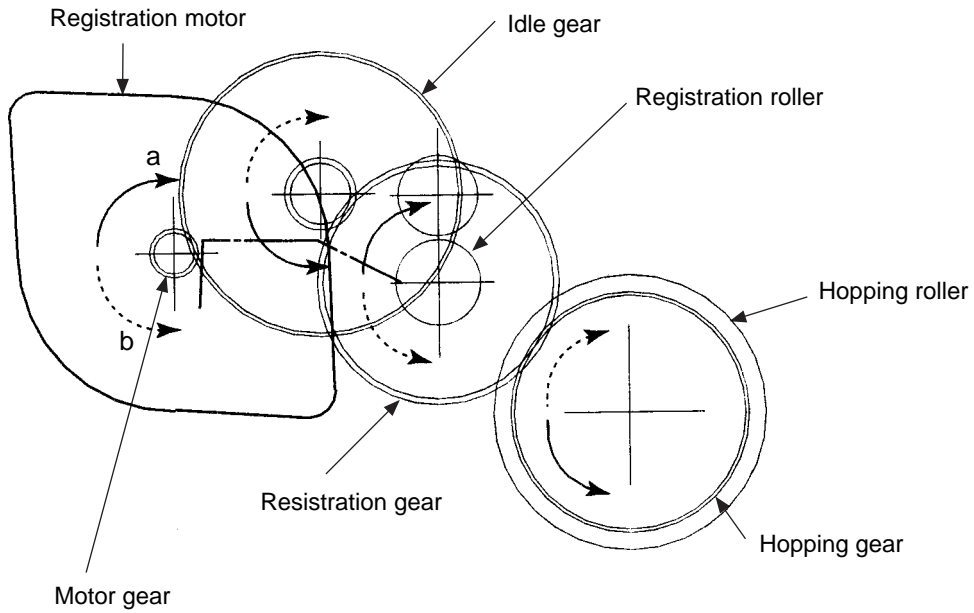
Fig. 2-5



A3.1.12.1 Process Operation Descriptions

(1) Hopping and Feeding

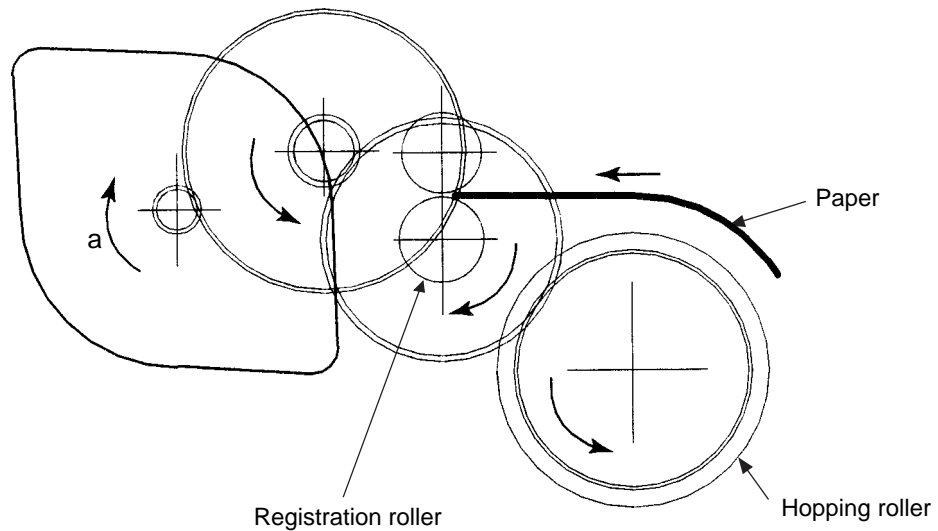
Hopping and feeding motions are actuated by a single registration motor in the mechanism as shown below:



The registration motor turning in direction "a" drives the nopping roller. The registration motor turning in direction "b" drives the registration roller. The registration and hopping gears have one-way bearing, so turning any of these gears in the reverse direction will not transmit the motion to the corresponding roller.

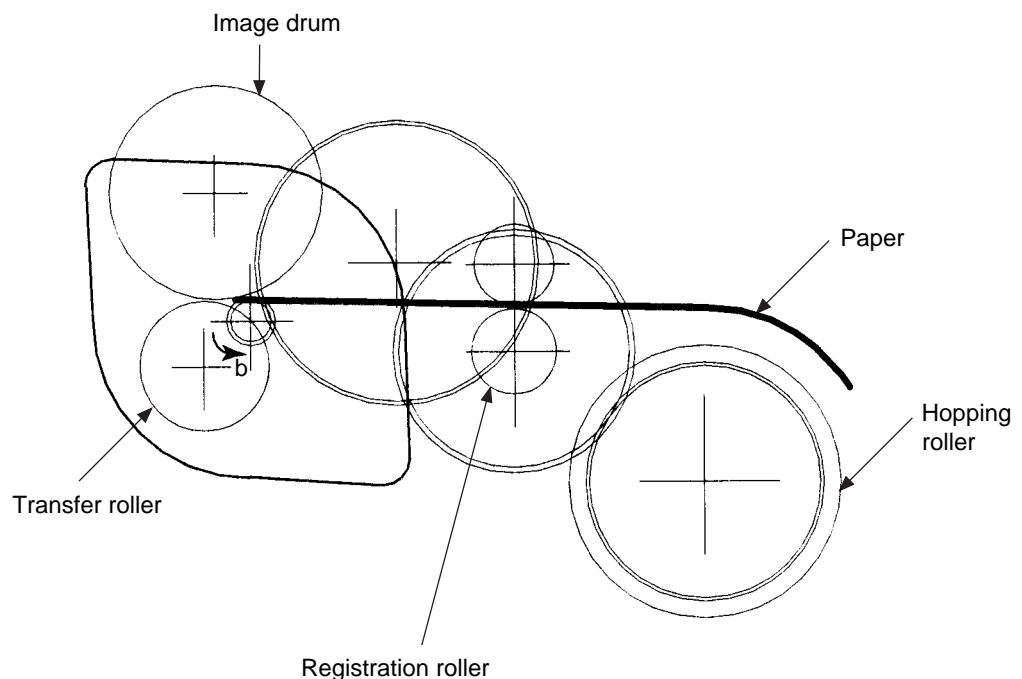
(a) Hopping

- 1 For hopping, the registration motor turns in direction "a" (clockwise direction) and drives the hopping roller to advance the paper until the inlet sensor turns on (in this case, the registration gear also turns, but the registration roller is prevented from turning by the one-way bearing.)
- 2 After inlet sensor is turned on by the paper advance, the paper is further advanced to a predetermined distance until the paper hits the registration roller (the skew of the paper can thus be corrected.)



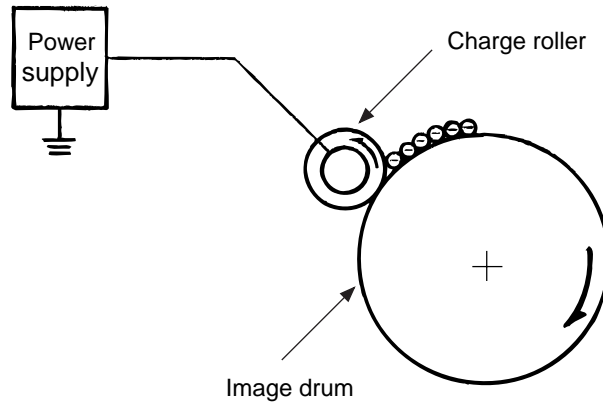
(b) Feeding

- 1 When hopping is completed, the registration motor turning in direction "b" (counter-clockwise direction) drives the registration roller to advance the paper (in this case, the hopping gear also turns, but the hopping roller is prevented from turning by the one-way bearing.)
- 2 The paper is further advanced in synchronization with the print data.

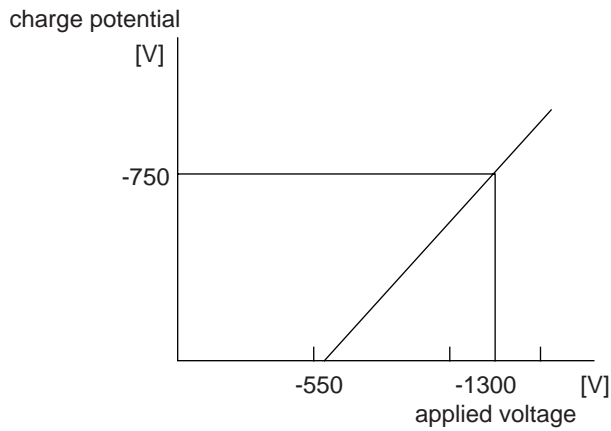


(2) Charging

Charging is actuated by application of the DC voltage to the charge roller thta is in contact with the image drum surface.

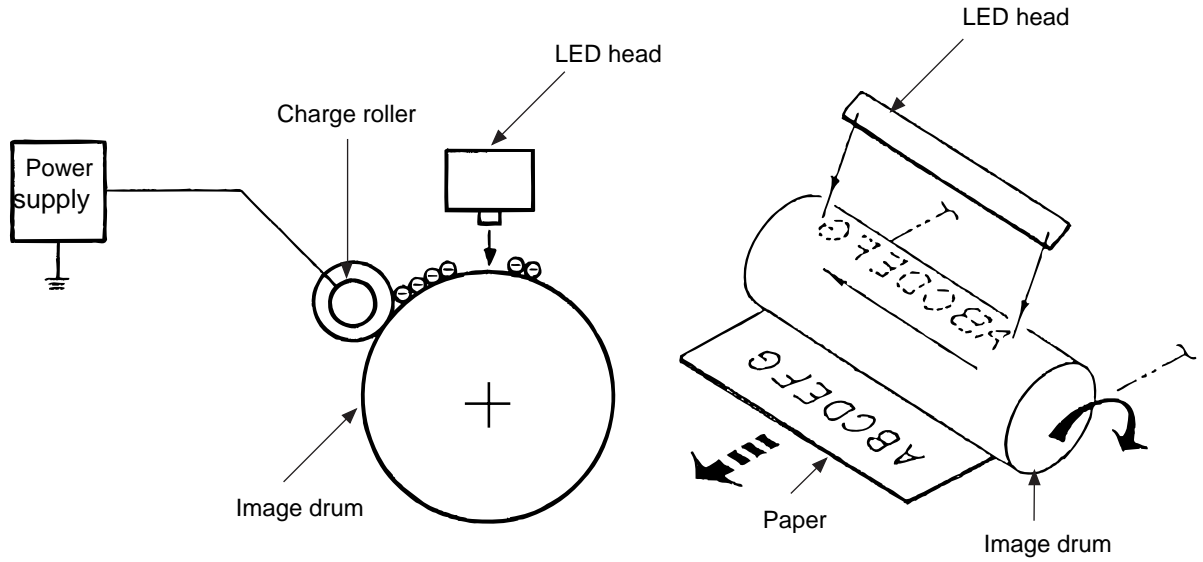


The charge roller is composed of two layers, a conductive layer and a surface protective layer, both having elasticity to secure good contact with the image drum. When the DC voltage applied by the power supply exceeds the threshold value, charging begins. The applied voltage is proportional to the charge potential, with offset of approximately -550V.

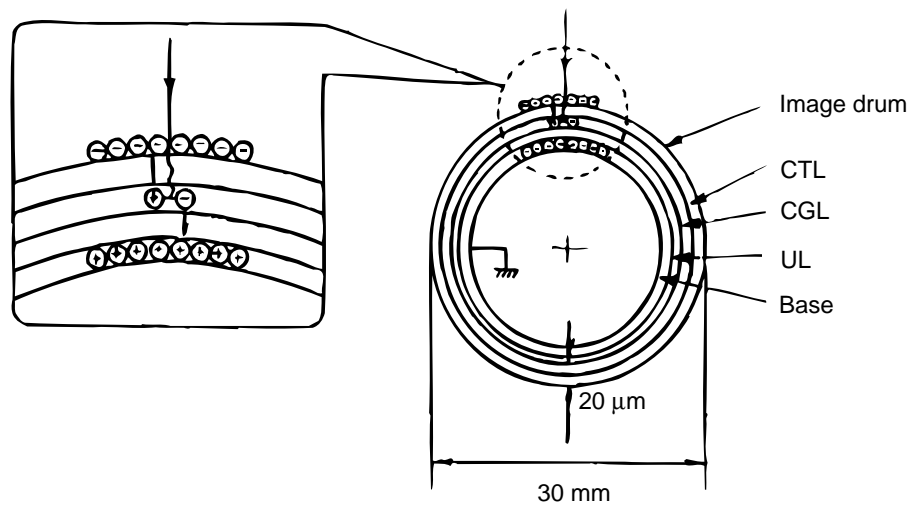


(3) Exposure

Light emitted by the LED head irradiates the image drum surface with a negative charge. The surface potential of the irradiated portion of the image drum drops, forming an electrostatic latent image associated with the image signal.



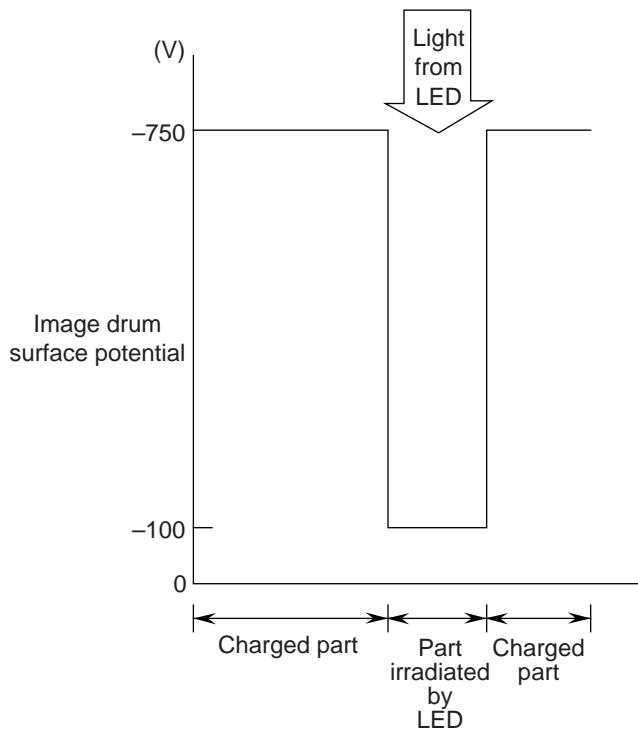
The image drum is coated with an underlayer (UL), a carrier generation layer (CGL), and carrier transfer layer (CTL) on aluminum base. The organic photo conductor layer (OPC), comprising a CTL and a CGL, is about 20 μm thick.



The image drum surface is charged to about -750 V by the contact charge of the charge roller.

When the light from the LED head irradiates the image drum surface, the light energy generates positive and negative carriers in the CGL. The positive carriers are moved to the CTL by an electrical field acting on the image drum. Likewise, the negative carriers flow into the aluminum layer (ground).

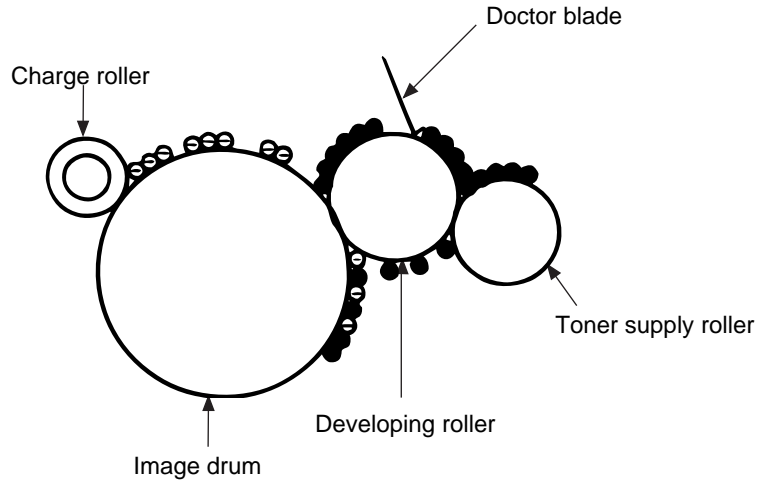
The positive carriers moved to the CTL combine with the negative charges on the image drum surface accumulated by the contact charge of the charge roller, lowering the potential on the image drum surface. The resultant drop in the potential of the irradiated portion of the image drum surface forms an electrostatic latent image on it. The irradiated portion of the image drum surface is kept to about -100 V.



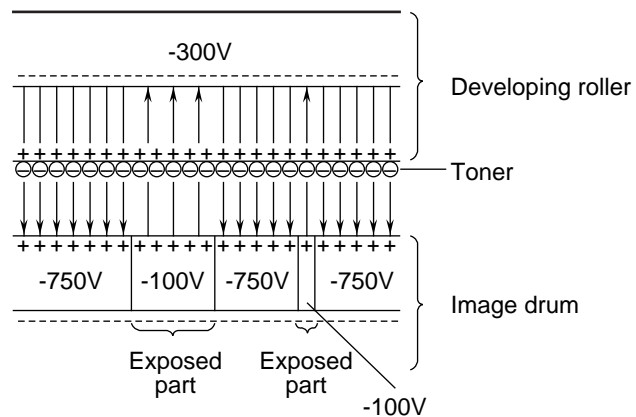
(4) Developing

Toner is attracted to the electrostatic latent image on the image drum surface, converting it into a visible toner image. Developing takes place through the contact between the image drum and the developing roller.

- 1 As the toner supply roller rotates while rubbing on the developing roller, a friction charge is generated between the developing roller and the toner, allowing the toner to be attracted to the developing roller (the developing roller surface is charged positive and the toner, negative.)

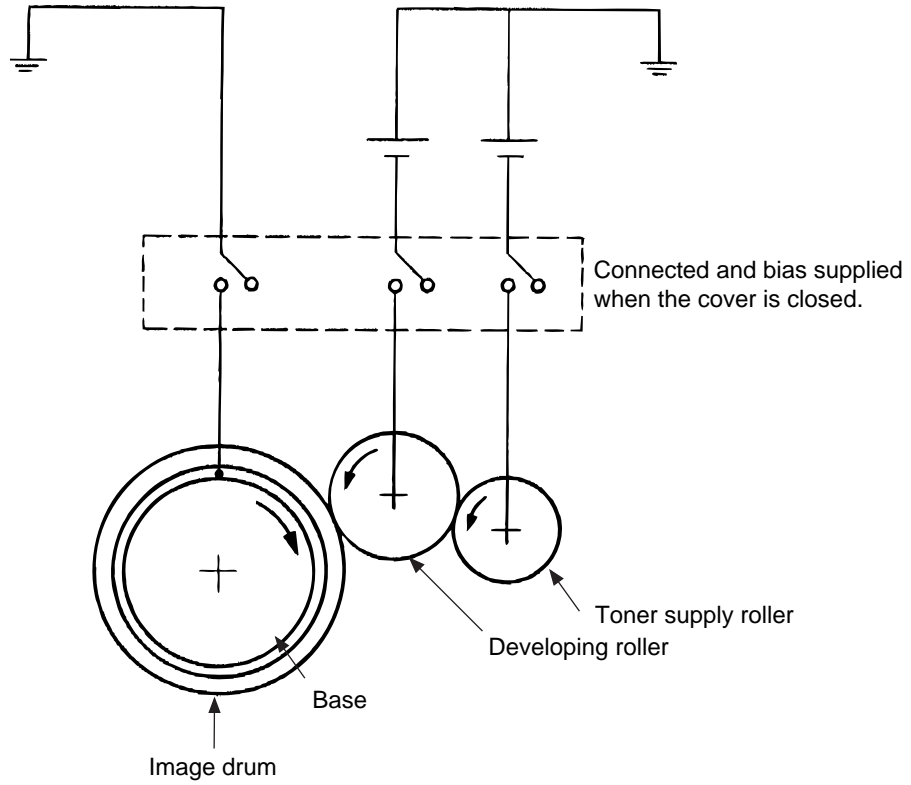


- 2 The toner attracted to the developing roller is scraped off by the doctor blade, forming a thin coat of toner on the developing roller surface.
- 3 Toner is attracted to the exposed portion (low-potential part) of the image drum at the contact of the image drum and the developing roller, making the electrostatic latent image visible.



An illustration of activities at the contact point of the image drum surface and the developing roller (arrow marks denote the direction of the electrical field).

Note: The bias voltage required during the developing process is supplied to the toner supply roller and the developing roller, as shown below. -500 VDC is supplied to the toner supply roller, -265 VDC to the developing roller.

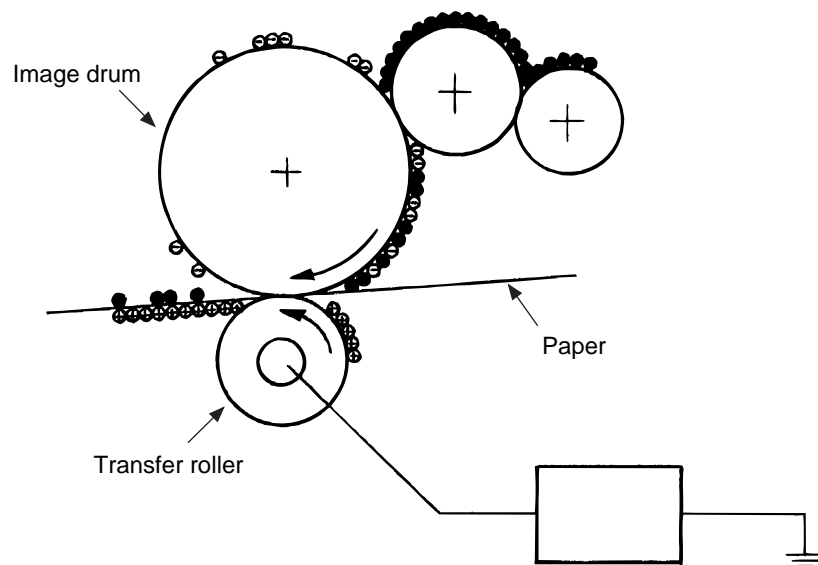


(5) Transfer

The transfer roller is composed of conductive sponge material, and is designed to get the image drum surface and the paper in a close contact.

Paper is placed over the image drum surface, and the positive charge, opposite in polarity to that of the toner, is applied to the paper from the reverse side.

The application of a high positive voltage from the power supply to the transfer roller causes the positive charge induction on the transfer roller surface, transferring the charge to the paper as it contacts the transfer roller. The toner with negative charge is attracted to the image drum surface, and it is transferred to the upper side of the paper due to the positive charge on the reverse side of the paper.

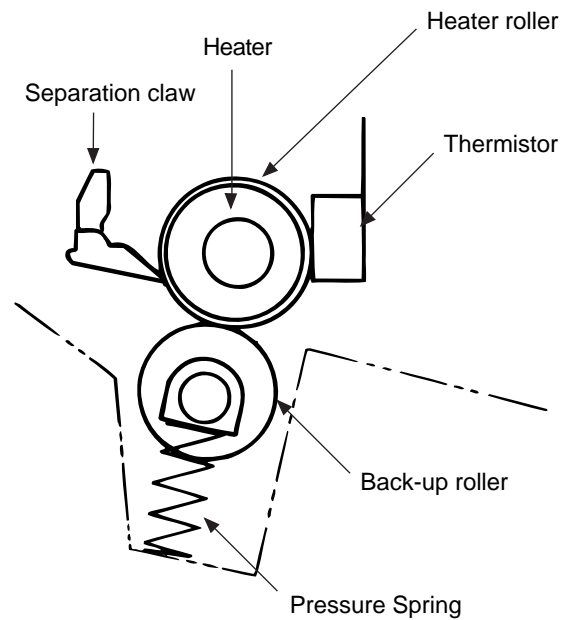


(6) Fusing

After the end of the transfer operation, the unfused toner image is fused on the paper under heat and pressure as it passes between the heater roller and the back-up roller. The heater roller with a Teflon coating incorporates a 500 W heater (Halogen lamp), which heats the heat roller.

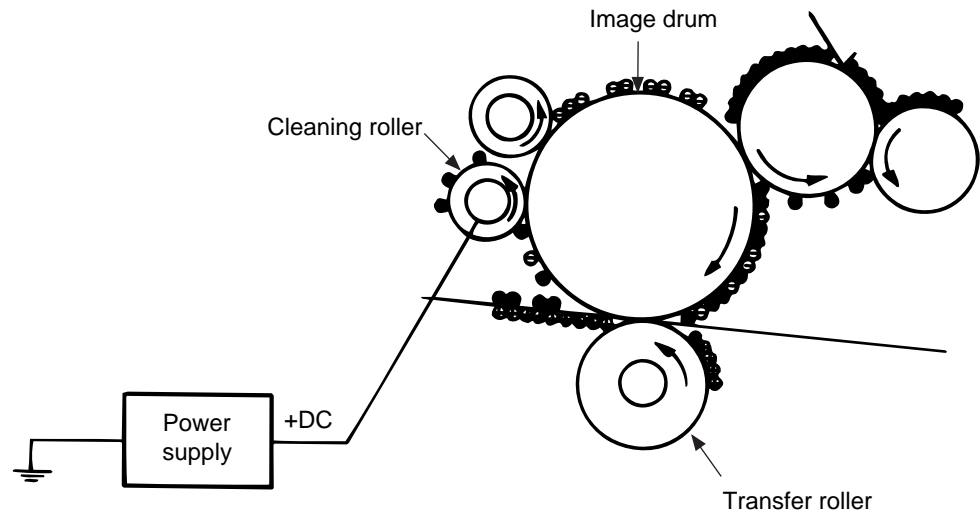
A thermistor, which is in contact with the heater roller regulates the heater roller at a predetermined temperature (about 185 $\frac{1}{2}$ C for OKIFAX 5000 series). A safety thermostat cuts off voltage supply to the heater by opening the thermostat in the event of abnormal rise in temperature.

The back-up roller is held under a pressure of 3.76 kg applied by the pressure spring on each side.



(7) Cleaning

When the transfer is completed, the residual toner left on the image drum is attracted to the cleaning roller temporarily by static electricity, and the image drum surface is cleaned.



(8) Cleaning of rollers

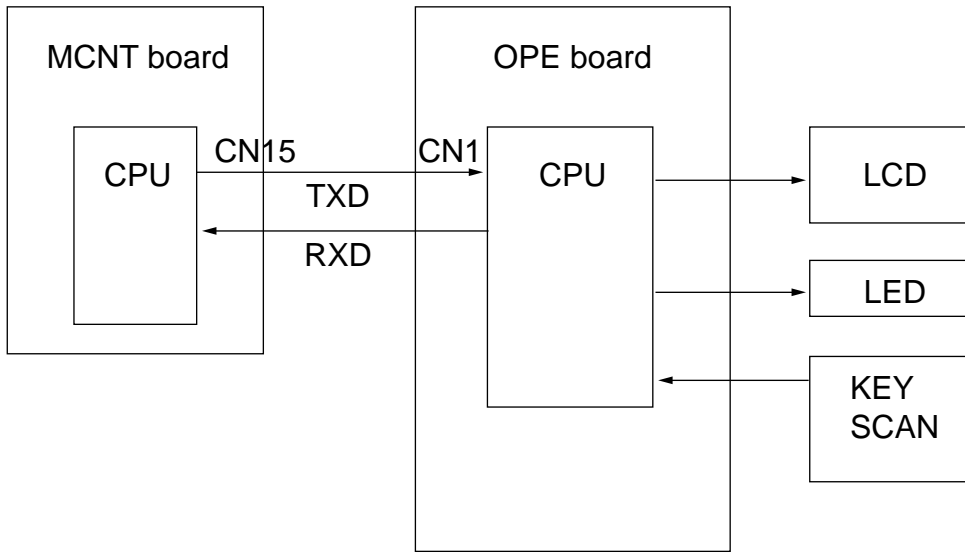
The charge, transfer and cleaning rollers are cleaned for the following cases:

- Warning up when the power is turned on.
- Warning up after the opening and closing of the cover.
- When the number of sheets accumulated reaches 10 or more, and the printout operation ends.

Changes in bias voltage applied to each roller move attaching toner off the roller to the image drum and return it to the developer.

A3.2 OPE Control

The rough block diagram of the OPE panel is shown below.



Host Interface

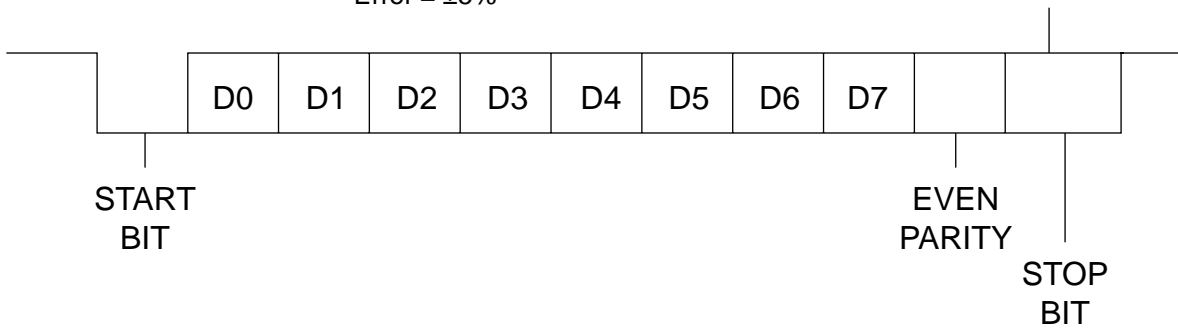
Between the MCNT and OPE, serial data is transferred via the SIO incorporated in the CPU.

<Communication method>

- 1) Communication method: Start-stop synchronization
- 2) Transfer rate: 5832 bps
- 3) Data length: 8 bits

<Data configuration>

- 1) Status bit: 1 bit
- 2) Data: 8 bits
- 3) Even parity: 1 bit (ignored by OPE)
- 4) Stop bits: Bits 1 and 5
Error = ±5%

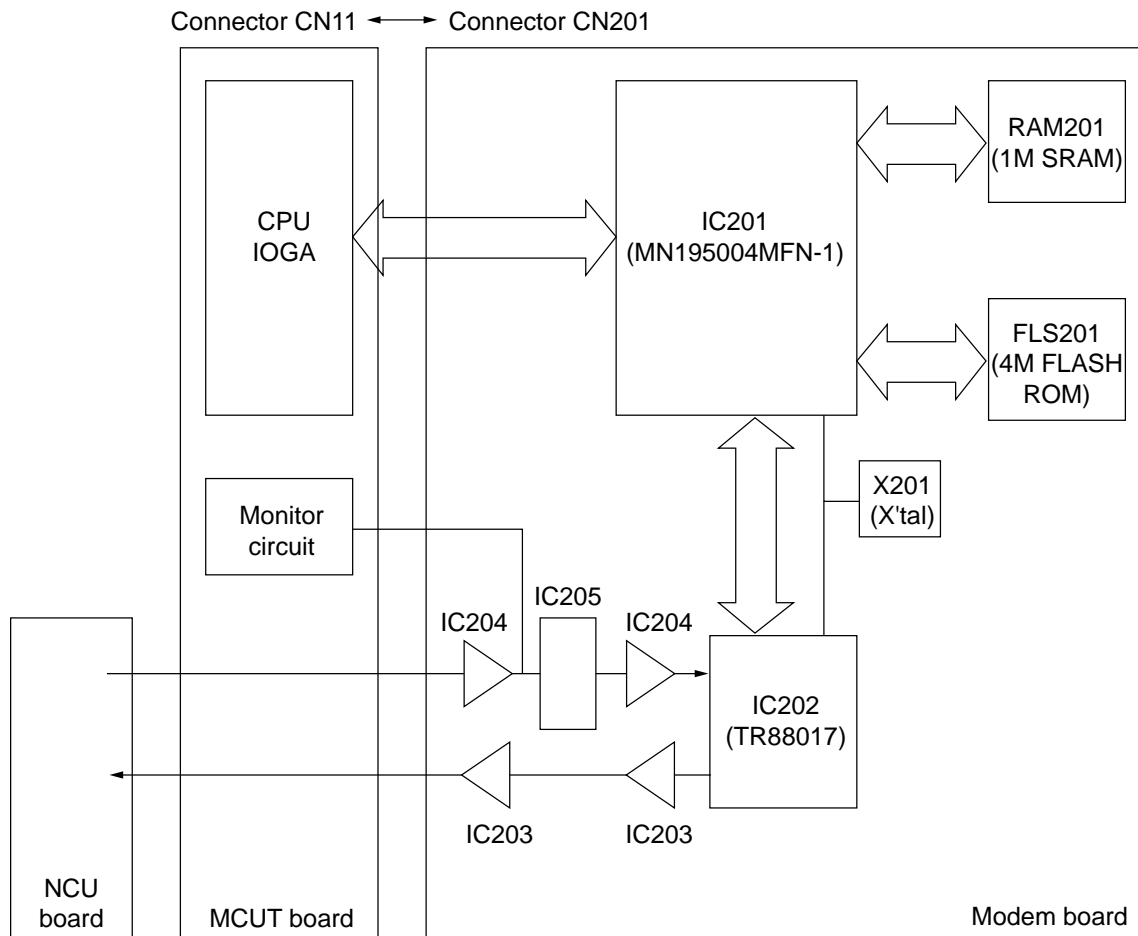


A3.3 MODEM C34 PC Board

Functional Overview

- ITU-T V.34 half-duplex transmission/reception (for image data)
- ITU-T V.33/V.17 transmission/reception (for image data)
- ITU-T V.29 transmission/reception (for image data)
- ITU-T V.27ter transmission/reception (for image data)
- ITU-T V.21 30-bps transmission/reception (for handshaking procedure)
- ITU-T V.8 transmission/reception (for V.34 negotiation procedure)
- HDLC framing
- Single tone issue/detection (CNG signal, CED signal, etc.)
- Dial tone/busy tone detection
- DTMF signal issue/detection
- Pseudo ring back tone
- Automatic gain control
- Amplifier
- A/D and D/A converters

Block diagram

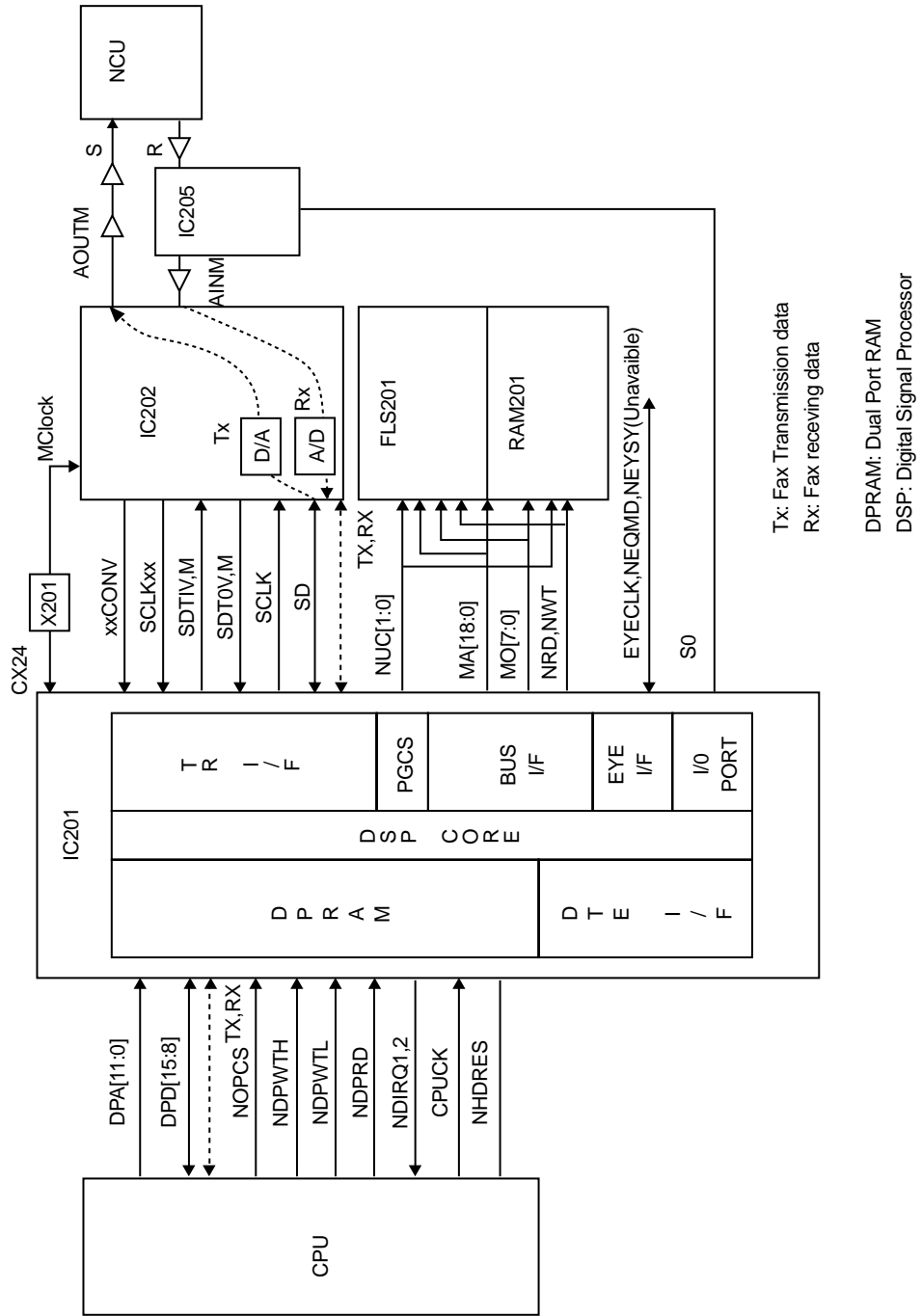
**LSI, IC, and Memory**

- X201 (Crystal)
* Crystal oscillator: 24.5760 MHz
- IC201 (MN195004MFN-1)(Modem data pump)
This LSI provides an interface with the host CPU. It is the heart of the modem. It consists of digital signal processing circuits.
- IC202 (TR88017) (Analog front end)
An analog front end LSI that provides an interface between the line controller and the MN195004. It consists of analog circuits. It has two channels of 16-bit A/D and D/A converters.
- FLS201 (4MFASH memory)
A memory for storing the MN195004MFN-1 program. * This program cannot be loaded by the PC loading method.
- RAM201 (High-speed 1MSRAM)
A memory for storing the MN195004MFN-1 program.
The modem operates by loading the program from the flash memory to the SRAM.
- IC205 (Analog switch IC)
Gain control

Power supply voltages

- Digital +5 VD
- Analog +5 VA/-8 VA

Signal route



IC201 Pin Assignment

IC202 Pin Assignment

Destination	Description	Signal name	Pin No.	Pin No.	Signal name	Description	Destination
IC201		SCLK	1	24	VBAUD		IC201
IC201	Transmission/Reception Data (Digital)	SD	2	25	SCKL2T		IC201
				30	SCKL2R		IC201
IC201	Reset Signal	RESET	3	26	TMCONV		IC201
IC201		SDTIM	27	29	RMCONV		IC201
X201	X'tal Clock (24.5760Mhz)	MCLOCK	39	28	SDTOM		IC201
IC201		SDTIV	33	31	SCLK1T		IC201
IC204	Received Data (Analog)	AINM	11	36	SCLK1T		IC201
MCNT PCB	+5 Volt Supply (Digital)	+5VD	42	32	TVCONV		IC201
MCNT PCB	+5 Volt Supply (Analog)	+5VA1	6	35	RVCONV		IC201
MCNT PCB	+5 Volt Supply (Analog)	+5VA2	10	34	SDTOV		IC201
—	Ground (Digital)	DGND1	40	38	TMBAUD		IC201
—	Ground (Digital)	DGND2	41	9	AOUTM	Transmission Data (Analog)	MCNT
—	Ground (Analog)	AGND1	8				
—	Ground (Analog)	AGND2	12	13	VREF	Ground (Analog)	—
—	Ground (Analog)	AGND3	4				
—	Ground (Analog)	AGND4	14				

A3.4 UNC, WN5, FN5 and DN5 Circuit Diagram

The NCU board is selected from UNC, WN5, FN5 and DN5 because it differs depending on country's specifications. Therefore, the NCU circuit diagram is destined for the following countries.

- UNC circuit diagram
US and Canada.
- WN5 circuit diagram
Sweden, Finland, The Netherlands, Ireland, Portugal, New Zealand, Australia, Belgium, Spain, Greece, Norway, Denmark, Italy, and other countries.
- FN5 circuit diagram
France and UK
- DN5 circuit diagram
Germany, Switzerland and Austria.

1. Block diagram

- Figure A3.4.1 shows a block diagram of UNC circuit.
- Figure A3.4.2 shows a block diagram of WN5 circuit.
- Figure A3.4.3 shows a block diagram of FN5 circuit
- Figure A3.4.4 shows a block diagram of DN5 circuit.

2. General functions of this circuit are as follows:

- 1) Generates and detects signals to be exchanged with a telephone exchange or network in Phases A and E defined by ITU T.30.
 - Loop formation for call origination
 - Line current detection (see note 1) before call origination
 - Dial tone detection (see note 1)
 - Generation of dial pulses (see note 2)
 - Busy tone detection (see note 1)
 - Ringing signal detection
- 2) Sends various data and signals from the R51 board to the telephone line after amplification.
 - Picture data/Protocol/Tonal signals/PB tone, etc.
- 3) Sends the following signals received from the line to the R51 board as data after amplification.
 - Picture data/Protocol/Tonal signals, etc.

Note 1: This procedure may be omitted depending on the dial parameters.

Note 2: MF (Multi-frequency) tone is generated by the modem and transferred to the telephone line via the NCU board.

3. Explanation on CN3 Terminals

CN3 pin No.	Terminal name	Explanation	UNC (US.CA)	WN5 (INT'L)	DN5 (D.A.CH)	FN5 (F.UK)
1	REV2	Detection and output of the direction of DC line current.	*	*	*	*
2	OH2	Detection of off-hook of terminal connected to TEL-1 or TEL-2.				
3	OH1	Output upon circuit current detection after fax line seizure	*	*	*	*
4	RI	0 - 5 V signal output synchronized with the ringing signal frequency				
5	NC	Unused terminal	*	*	*	*
6	PP	Relay control signal for special service code detection at parallel pickup or remote reception				
7, 8	E	GND				
9, 10	sub + 5 V	Sub power supply for OH2 and RI detection				
11, 12	+ 5 V	Power supply for relays and logic circuits				
13, 14	+ 5 VA	+5 V power supply for analog circuit	*	*		*
15, 16	S	TX Signal				
17, 18	- 5 VA	- 5 V power supply for analog circuit	*	*		*
19, 20	R	RX Signal				
21, 22	SG	Signal ground				
23, 24	Rp	Receiving sensitivity determination terminal				
25	DP	Pulse dial control signal				
26	CML	Line seizure control signal				
27	F. ICC	Loop current control signal upon line seizure	*	*	*	
28	SR	Control signal for connection between LINE and TEL terminals				
29	PBXE	Control signal for connecting one of LINE terminal to the PBXE terminal	*	*		*
30	MUTE	Control signal for pulse dial improvement and bell shunt relay	*			

Note *: Unused.

4. Description on the NCU Block Diagram

4.1 UNC circuit diagram

- 1 Lightning arresters (AR1, 2)
The nominal operating voltage is 350 V.
When connecting the ground of the arrester to the chassis, tighten ARG on the PCB with a screw. At this time, the PCB is grounded through the power cable. The TB1 arrester ground terminal can also be used to connect to the earth directly.
- 4 DC circuits (R10, R11, C4)
These circuits provide DC characteristics according to the line requirements using the primary DC resistor in the line transformer T1 and the R10 and R11 resistors. The capacitor C4 bypasses AC signals.
- 5 Impedance matching network (R523, R536, C503)
This circuit matches the impedance between the line and equipment to reduce reflection of transmitted signals.
- 6 Receiving sensitivity (R574, R504)
The receiving sensitivity at line seizing is determined by R574 and the MF tone receiving sensitivity at parallel pickup is determined by R504.
- 7 CML (RL1)
This circuit selectively switches the line between the telephone or facsimile.
- 8 SR (RL2)
This circuit connects the line with the telephone. During facsimile transmission, it disconnects the telephone.
- A PP (RL6)
If this circuit detects MF or CNG tones without seizing a line, it sets a proper receiving sensitivity.
- B DP (RL3)
This circuit generates pulse dials.
If the circuit detects MF or CNG tones without seizing a line, it opens to increase the impedance.
- C Pickup RC (R5, C31)
These circuits insert a high-impedance resistor and capacitor serially to prevent the line impedance from dropping by the line transformer T1.
- D Ring detectors (IC1)
These circuits detect a ring signal arriving to the line. If the input ring signal exceeds a specific voltage, the circuits output a signal having of RI the same frequency as incoming RI.
- E Line transformer (T1)
This circuit processes send/receive signals required for facsimile transmission, dial tone receive signals required for automatic dialing, and MF tone send and remote receive signals. It separates between the line and equipment in terms of DC and also keeps a balance between the line and the ground. The transformer on the UNC board for OKIFAX 5600 is covered with the shield case for the low-level receiving countermeasure.
- F Off-hook detector (IC2)
This circuit detects the off-hook state of the telephone connected to the TEL1, TEL2 through LINE terminals.

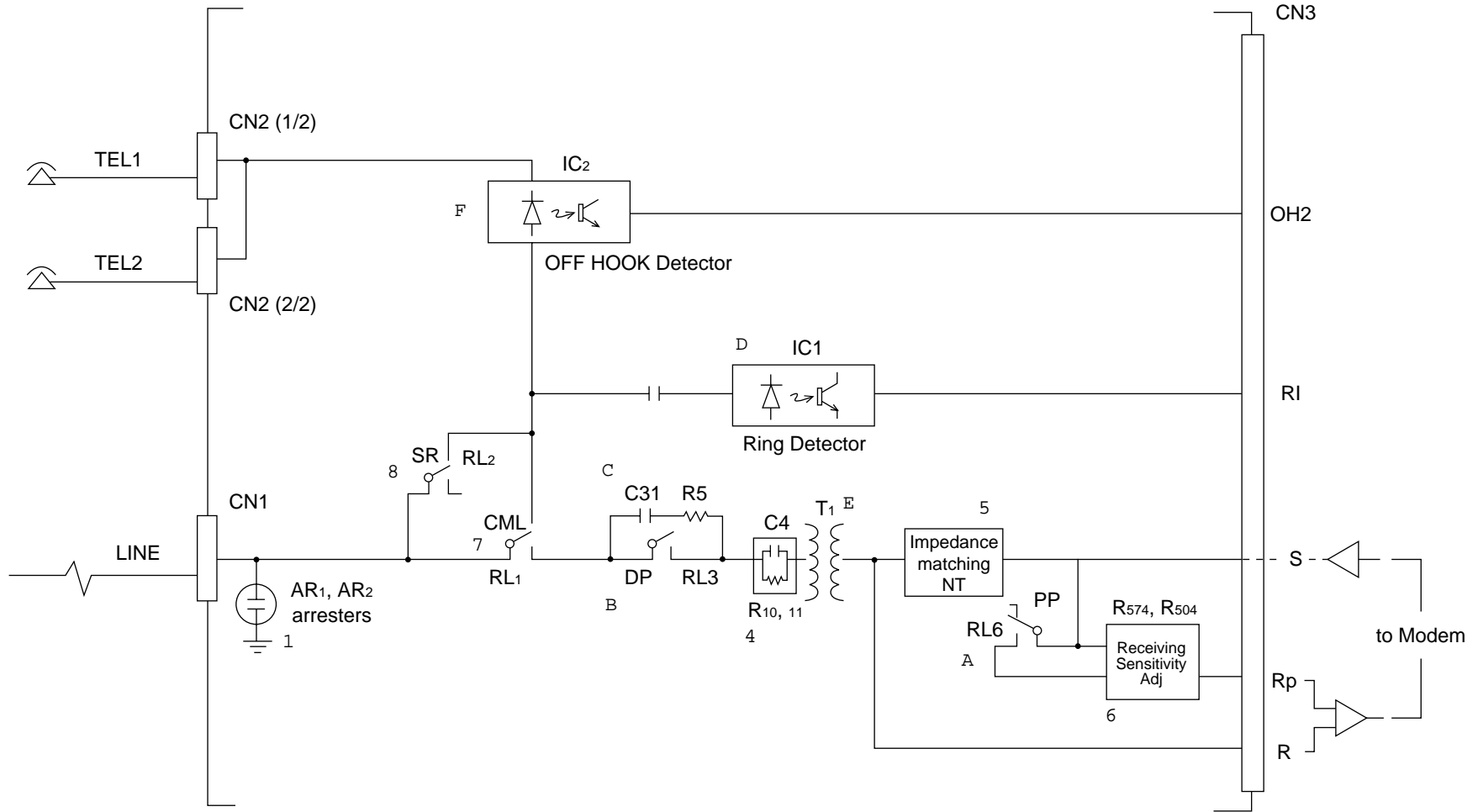


Figure A3.4.1 Block Diagram of UNC

4.2 WN5 circuit diagram

- 1 Lightning arresters (AR1, 2)
The nominal operating voltage is 500 V.
When connecting the ground of the arrestor to the chassis, tighten ARG on the PCB with a screw. At this time, the PCB is grounded through the power cable. The TB1 arrestor ground terminal can also be used to connect to the earth directly.
- 2 Loop current detector (IC4) — Optional
When a line is seized, this circuit detects a DC loop current to notify the fact. For detection (OH1), it outputs the low level to the nominal input current of 10 mA or more.
- 3 Diode bridge (DB1)
This circuit rectifies the loop current so that the DC circuit characteristics are not affected by a polarity change over the line.
- 4 DC circuits (Q3, R540, R541, C13, R9, R209, and R309)
These circuits provide DC characteristics according to the line requirements depending on the DIP SW (S3) position.
- 5 Impedance matching network (R523, R536, C503 ... R823, R836, C803)
This circuit matches the impedance between the line and equipment to reduce reflection of transmitted signals.
It provides impedance (return loss) characteristics to meet the line requirement using the connector keys (CN15 to CN45).
- 6 Receiving sensitivity (R537, R539...R837, R839)
The receiving sensitivity at line hunting is determined by R539 to R839 depending on the line impedance. Similarly, the MF tone receiving sensitivity at parallel pickup is determined by R537 to R837. The receiving sensitivity is set using connector keys (CN15 to CN45).
- 7 CML (RL1)
This circuit selectively switches the line between the telephone or facsimile.
- 8 SR (RL2)
This circuit connects the line with the telephone. During facsimile transmission, it disconnects the telephone.
- 9 DP (IC5)
This circuit generates pulse dial signals.
- 0 MUTE (IC7)
During pulse dialing, this circuit closes to reduce the DC loop resistance.
- A PP (RL6)
If this circuit detects MF or CNG tones without seizing a line, it disconnects Impedance matching Network (5) to increase the input impedance and also sets the receiving sensitivity.
- B MUTE (RL3)
During pulse dialing, this circuit opens to prevent pulse distortion caused by capacitor C11. If it detects MF or CNG tones without seizing a line, it opens to increase the impedance.

- C Pickup RC (R590, C31)
These circuits insert a high-impedance resistor and capacitor serially to prevent the line impedance from dropping by the line transformer T1.
- D Ring detectors (IC1)
These circuits detect a ring signal arriving to the line. If the input ring signal exceeds a specific voltage, the circuits output a signal of RI having the same frequency as incoming RI.
- E Line transformer (T1)
This circuit processes send/receive signals required for facsimile transmission, dial tone receive signals required for automatic dialing, and MF tone send and remote receive signals. It separates between the line and equipment in terms of DC and also keeps a balance between the line and the ground.
- F Off-hook detectors (IC2, RL7)
These circuits detect the off-hook state of the telephone connected to the TEL1, TEL2, through LINE terminal. IC2 uses a high detection sensitivity than of RL7. In TEL/FAX mode, the higher sensitive IC2 is used to detect the off-hook state of the telephone while the main equipment is hunting a line. Usually, IC2 is short-circuited by the CML relay (7) in the standby state and RL7 is used for off-hook detection.
- G Impedance switches (CN15 to CN45)
These circuits set the impedance according to the line requirement.
220: 220 ohm + 820 ohm//115 nF (CN15)
275: 275 ohm + 850 ohm//150 nF (CN25)
370: 370 ohm + 620 ohm//310 nF (CN35)
600: 600 ohm (CN35)
- H DC resistance switch (SW3)
This switch sets the DC resistance according to the line requirement.
- I Ring impedance switches (S1-3 to S1-6)
These switches set the ring impedance according to the line requirement.
- J Ring sensitivity switch (S4)
This switch sets the ring sensitivity according to the line requirement.
- K Telephone cascade/parallel switches (S1-1 to S1-2)
To connect the telephone connected to the TEL1 terminal and an external telephone in parallel, set the switches to ON.

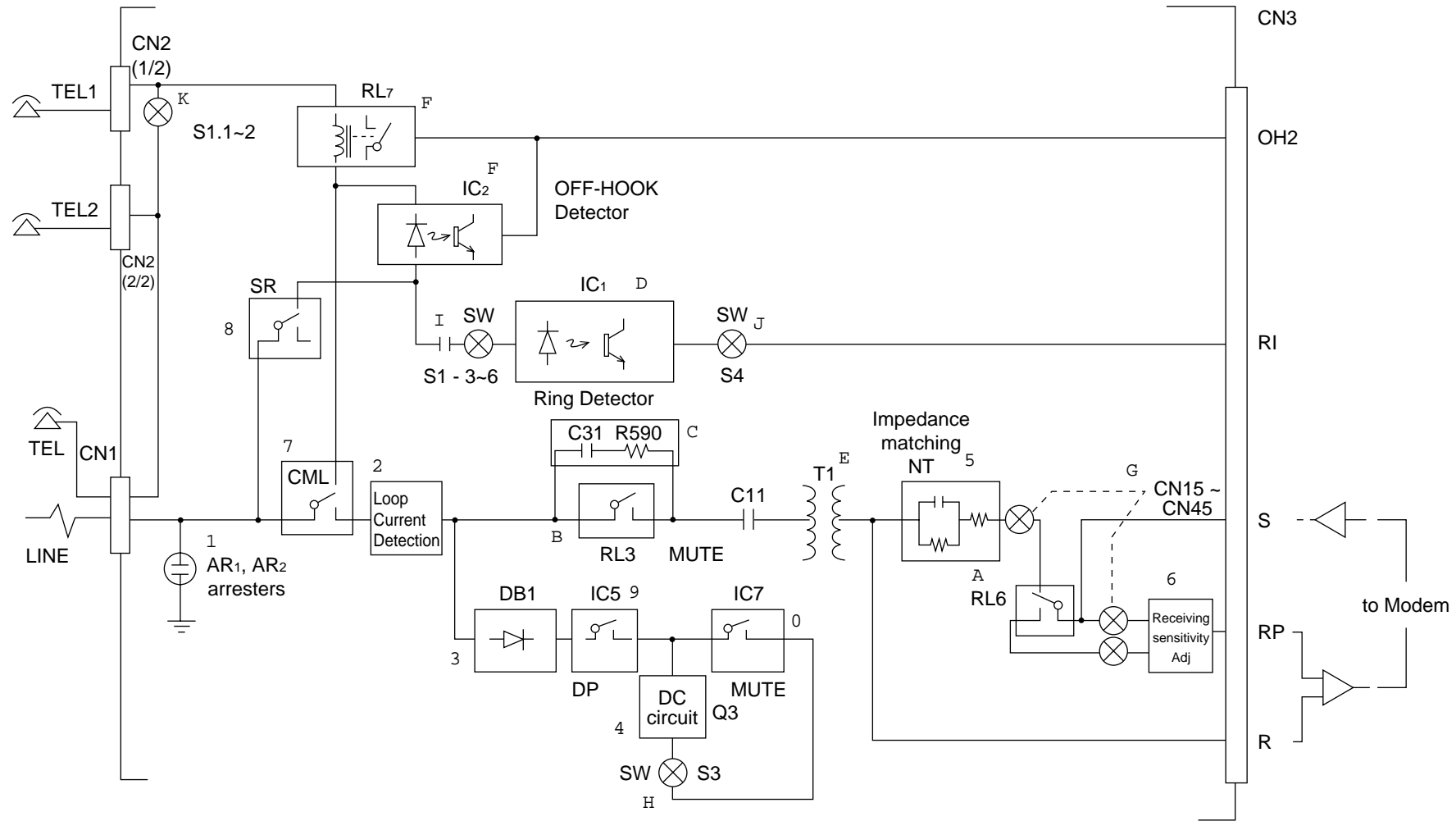


Figure A3.4.2 Block Diagram of WN5

4.3 FN5 circuit diagram

- 1 Lightning arresters (AR1, 2)
The nominal operating voltage is 500 V.
When connecting the ground of the arrester to the chassis, tighten ARG on the PCB with a screw. At this time, the PCB is grounded through the power cable. The TB1 arrester ground terminal can also be used to connect to the earth directly.
- 3 Diode bridge (DB1)
This circuit rectifies the loop current so that the DC circuit characteristics are not affected by a polarity change over the line.
- 4 DC circuits (Q3, R540, R541, C13, R9, R209)
These circuits provide DC characteristics according to the line requirements.
- 5 Impedance matching network (R523, R536, C503, R623, R636, C603)
This circuit matches the impedance between the line and equipment to reduce reflection of transmitted signals.
It provides impedance (return loss) characteristics to meet the line requirement using the S5-1 and 5-2.
- 6 Receiving sensitivity (R537, R539, R637, R639)
The receiving sensitivity at line hunting is determined by R539 or R639 and the MF tone receiving sensitivity at parallel pickup is determined by R537 or R639. The receiving sensitivity set using DIP switch S5-3 to S5-6.
- 7 CML (RL1)
This circuit selectively switches the line between the telephone or facsimile.
- 8 SR (RL2)
This circuit connects the line with the telephone. During facsimile transmission, it disconnects the telephone.
- 9 DP (IC5)
This circuit generates pulse dial signals.
- 0 MUTE (IC7)
During pulse dialing, this circuit closes to reduce the DC loop resistance.
- A PP (RL6)
When it detects MF or CNG tones without seizing a line, it disconnects NT (5) to increase the input impedance and also sets the receiving sensitivity.
- B MUTE (RL3)
During pulse dialing, this circuit opens to prevent pulse distortion caused by capacitor C11. When it detects MF or CNG tones without seizing a line, it opens to increase the impedance.
- C Pickup RC (R590, C31)
These circuits insert a high-impedance resistor and capacitor serially to prevent the line impedance from dropping by the line transformer T1.
- D Ring detectors (IC1)
These circuits detect a ring signal arriving to the line. If the input ring signal exceeds a specific voltage, the circuits output a signal of RI having the same frequency as the incoming RI.

- E Line transformer (T1)
This circuit processes send/receive signals required for facsimile transmission, dial tone receive signals required for automatic dialing, and MF tone send and remote receive signals. It separates between the line and equipment in terms of DC and also keeps a balance between the line and the ground.
- F Off-hook detectors (IC2, RL7)
These circuits detect the off-hook state of the telephone connected to the TEL1, TEL2, through LINE terminals. IC2 uses a high detection sensitivity than of RL7. In TEL/FAX mode, the higher sensitive IC2 is used to detect the off-hook state of the telephone while the main equipment is hunting a line. Usually, IC2 is short-circuited by the CML relay (7) in the standby state and RL7 is used for off-hook detection.
- G Impedance switches (S5-1 to 5-2)
These circuits set the impedance according to the line requirement.
S5-1: 370 ohm + 620 ohm//310 nF (UK)
S5-2: 600 ohm (F)
- H DC resistance switches (CN26 and CN36)
These switches set the DC resistance according to the line requirement.
- Q FICC (IC6)
This circuits reduces the DC resistance to increase the loop current momentarily to assure operation of the switch at line seizing.
- R Constant current circuits (Q1 and Q2)
These circuits provide DC characteristics according to the French line requirement.
- S Shunt (RL5)
This circuit prevents bell resonances in the telephone sets connected in parallel during pulse dialing and also reduces distortions of the pulse waveform.
- T Communication line terminal switches (CN26 and CN36)
Unlike other countries, pines 2 and 5 are connected to the line for the UK communication line. Set the switches to "F" for France and "UK" for UK.

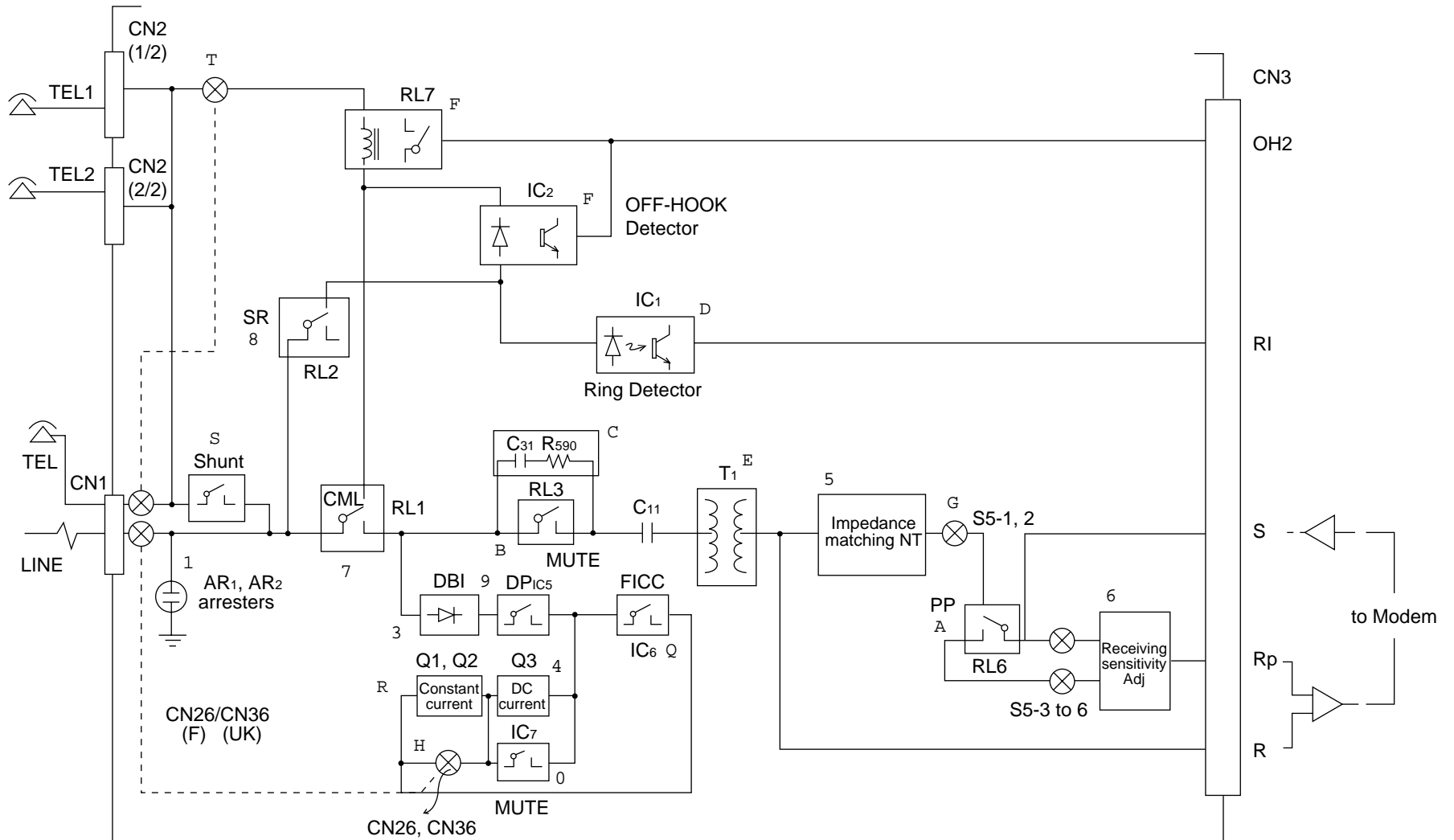


Figure A3.4.3 Block Diagram of FN5

4.4 DN5 circuit diagram

- 1 Lightning arresters (AR1, 2)
The nominal operating voltage is 500 V.
When connecting the ground of the arrester to the chassis, tighten ARG on the PCB with a screw. At this time, the PCB is grounded through the power cable. The TB1 arrester ground terminal can also be used to connect to the earth directly.
- 2 Loop current detector (IC4) - Optional
When a line is hunt, this circuit detects a DC loop current to notify the fact. For detection (OH1), it outputs the low level to the nominal input current of 10 mA or more.
- 3 Diode bridge (DB1)
This circuit rectifies the loop current so that the DC circuit characteristics are not affected by a polarity change over the line.
- 4 DC circuits (Q3, R540, R541, C13, R9, R209)
These circuits provide DC characteristics according to the line requirements.
- 5 Impedance matching network (R523, R536, C503, ...)
This circuit matches the impedance between the line and equipment to reduce reflection of transmitted signals.
It provides impedance (return loss) characteristics to meet the line requirement using the S4-3 and S4-4.
- 6 Receiving sensitivity (R537, R539, R637, R639)
The receiving sensitivity at line hunting is determined by R539 to R639 depending on the line impedance. Similarly, the MF tone receiving sensitivity at parallel pickup is determined by R537 or R637.
The receiving sensitivity is set using the DIP switches S4-5 to S4-8.
- 7 CML (RL1)
This circuit selectively switches the line between the telephone or facsimile.
- 8 SR (RL2)
This circuit connects the line with the telephone. During facsimile transmission, it disconnects the telephone.
- 9 DP (IC5)
This circuit generates pulse dial signals.
- 0 MUTE (IC7)
During pulse dialing, this circuit closes to reduce the DC loop resistance.
- A PP (RL6)
If this circuits detects MF or CNG tones without seizing a line, it disconnects NT (5) to increase the input impedance and also sets the receiving sensitivity.
- B MUTE (RL3)
During pulse dialing, this circuit opens to prevent pulse distortion caused by capacitor C11. If it detects MF or CNG tones without seizing a line, it opens to increase the impedance.
- C Pickup RC (R590, C31)
These circuits insert a high-impedance resistor and capacitor serially to prevent the line impedance from dropping by the line transformer T1.

- D** Ring detectors (IC1)
These circuits detect a ring signal arriving to the line. If the input ring signal exceeds a specific voltage, the circuits output a signal of RI having the same frequency as incoming RI.
- E** Line transformer (T1)
This circuit processes send/receive signals required for facsimile transmission, dial tone receive signals required for automatic dialing, and MF tone send and remote receive signals. It separates between the line and equipment in terms of DC and also keeps a balance between the line and the ground.
- F** Off-hook detectors (IC2, RL7)
These circuits detect the off-hook state of the telephone connected to the TEL1, TEL2, through LINE terminals. IC2 uses a high detection sensitivity than of RL7. In TEL/FAX mode, the higher sensitive IC2 is used to detect the off-hook state of the telephone while the main equipment is hunting a line. Usually, IC2 is short-circuited by the CML relay (7) in the standby state and RL7 is used for off-hook detection.
- G** Impedance switches (S4-3 to S4-4)
These circuits set the impedance according to the line requirement.
S4-3: 220 ohm + 820 ohm//115 nF
S4-4: 600 ohm
- I** Ring impedance switches (S1-4)
These switches set the ring impedance according to the line requirement.
- J** Ring sensitivity switch (S4-4, S4-2)
This switch sets the ring sensitivity according to the line requirement.
- K** Telephone cascade/parallel switches (S1-1 to S1-2)
To connect the telephone connected to the TEL1 terminal and an external telephone in parallel, set the switches to ON.
- L** 16 kHz LPF (L7, L8, C7, C507, C9)
This low-pass filter removes 16 kHz metering pulses.
- M** Transmitter amplifier (IC501 1/2)
This transmitter buffer amplifier amplifies DTMF signals and FAX send signals.
- N** Receiver amplifier (IC501 2/2)
This amplifier amplifies MF tones, dial tones, and FAX receive signals.
- O** 16 kHz LPF (IC502)
This active low-pass filter removes 16 kHz metering pulses.
- P** PBXE (RL4)
This circuits connects one end of the LINE terminal to the PBXE terminal when requested from the PBX line.

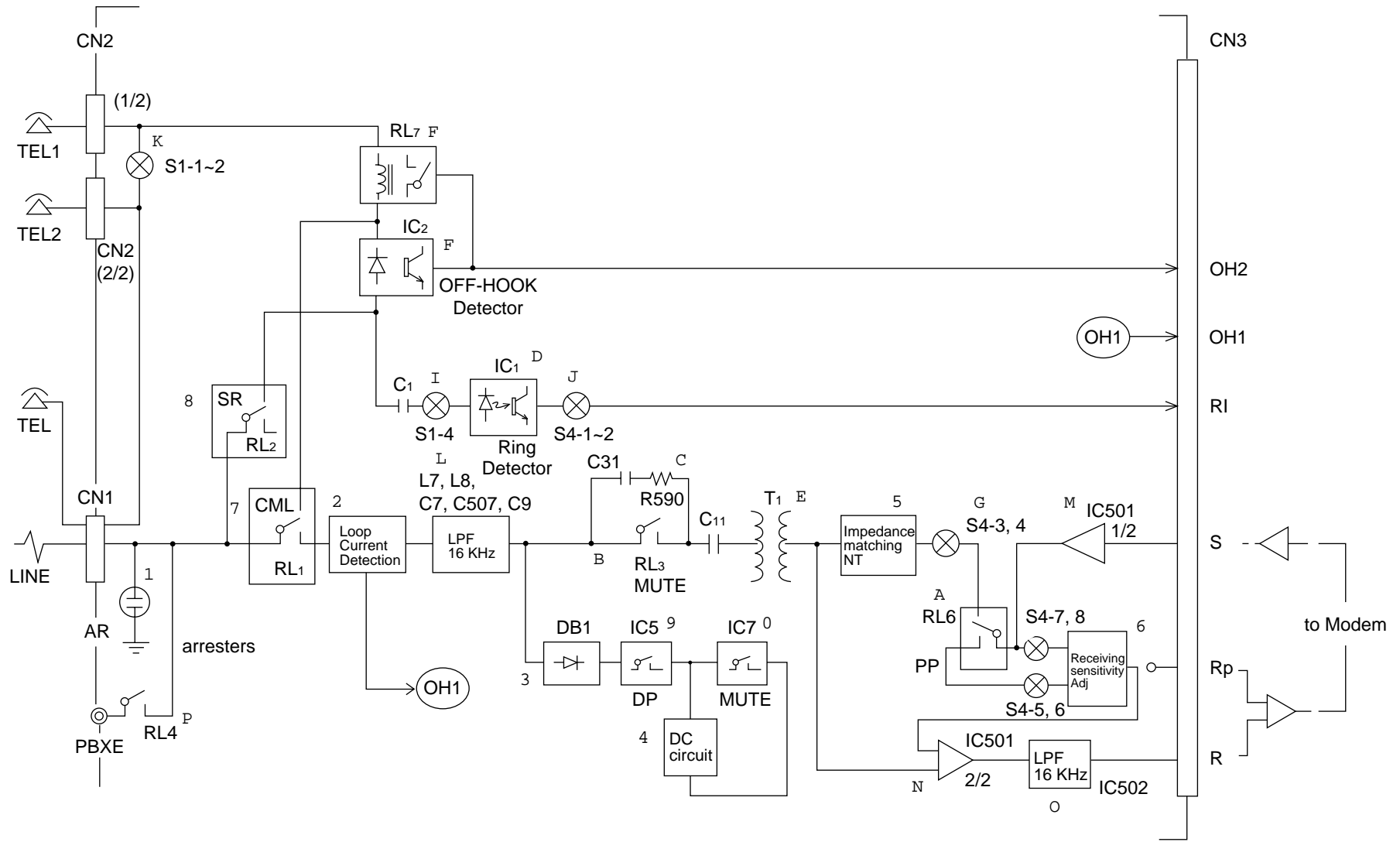


Figure A3.4.4 Block Diagram of DN5

Appendix B

Descriptions of Print Operation

Third Edition

December, 1998

Oki Data Corporation

CONTENTS

APPENDIX B Description of Print Operations for OKIFAX 5700/5900

	Page
B.1 Mechanical Components	B-1
B.2 Description of Print Operation	B-3
B.2.1 Process Operations.....	B-3
B.3 Errors	B-14
B.3.1 Errors List.....	B-14
B.3.2 Major Trouble Errors	B-15
B.3.2.1 Fuse Error	B-15
B.3.2.2 Fan Error	B-15
B.3.2.3 Paper Feed Monitoring.....	B-16
B.3.2.4 2'nd Tray Communication Error	B-16
B.3.2.5 Cover Open	B-16
B.3.3 Recoverable Errors	B-17
B.3.3.1 Toner Low Detection	B-18
B.4 Other Special Cases	B-20
B.4.1 Manual Paper Feed.....	B-20
B.4.2 Cleaning	B-20

B.1 Mechanical Components

1) EP drum cartridge

The EP (image) cartridge consists of an EP (image) drum, a charger, and a developer. The cartridge forms a toner image on the drum, using an electrostatic latent image formed by the LED print head.

2) Resist motor

This resist motor is a pulse motor of 48 steps/rotation that is two-phase excited by the signal from the M76 board. It drives the hopping roller and the resist roller via two one-way clutches according to the direction of rotation.

3) Drum motor

This drum motor is a pulse motor of 48 steps/rotation that is two-phase excited by the signal from the M76 board and is the main motor of this mechanism.

4) LED head

Image data for each dot on a line from the M76 board is received by the shift registers and latch registers. The Letter size LED head are driven to radiate the image data on to the EP (image) drum.

5) Fuser

The fuser consists of a heater, a heat roller, a thermistor and a thermostat.

An AC voltage from the power supply board (H10, and Low Power Voltage Unit) is applied to the heater under the control of the HEAT-N signal from the M76 board. This AC voltage heats the heater. The M76 board supervises the heat roller temperature via the thermistor, and regulates the heater roller at a predetermined temperature (about 185 ½C for OKIFAX 5700/5900) by connecting or disconnecting the AC voltage supply to the heater.

If the heater roller temperature rises abnormally, the thermostat of the heater voltage supply circuit is activated to cut off the AC voltage supply forcibly.

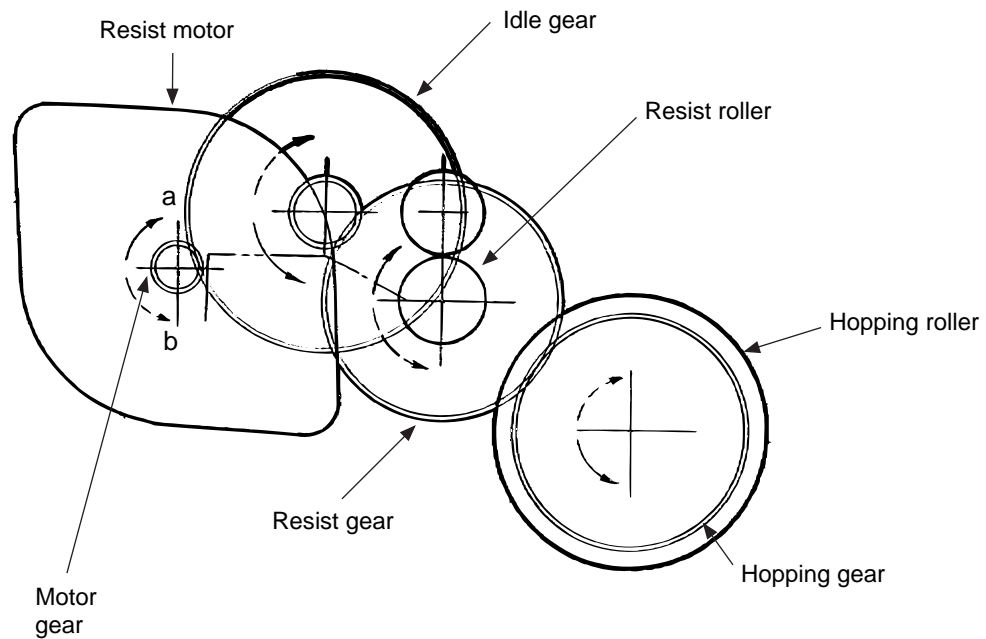
DESCRIPTION OF PRINT OPERATIONS

B.2 Description of Print Operations

B.2.1 Process Operations

1) Hopping and feeding

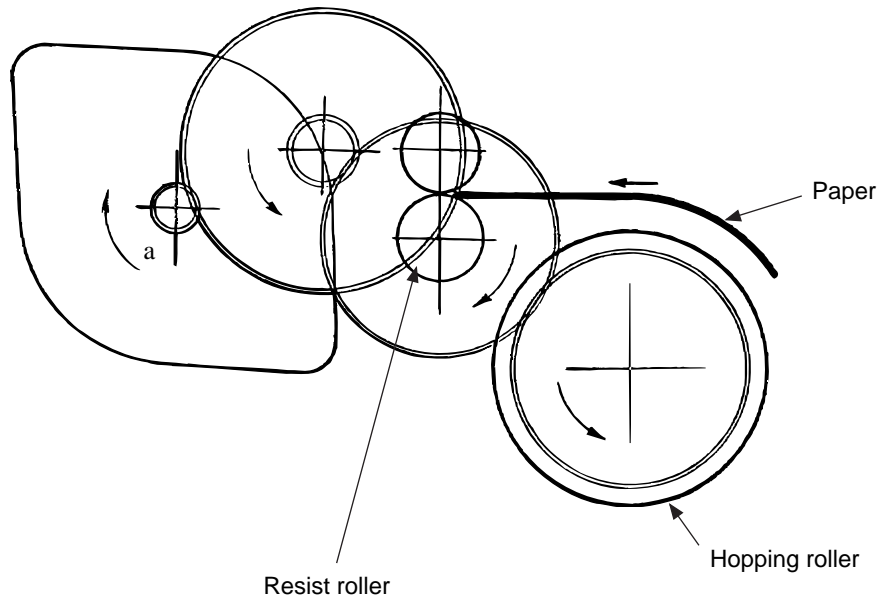
Hopping and feeding are affected by a single resist motor in the mechanism shown below.



Turning the resist motor in the "a" direction drives the hopping roller. Turning the resist motor in the "b" direction drives the resist roller. The resist gear and hopping gear contain one-way clutch, so that turning each of these gears in reverse direction will not be transmitted to the corresponding roller.

(a) Hopping

- 1 Hopping turns the resist motor in the "a" direction (in the CW direction) and drives the hopping roller to advance the paper until the inlet sensor turns on. (In this case, the resist gear also turns, but the resist roller is prevented from turning by the one-way clutch gear.)
- 2 After the paper has turned on the inlet sensor, the paper is further advanced by a predetermined length until the paper hits the resist roller. (The skew in the paper can thus be corrected.)

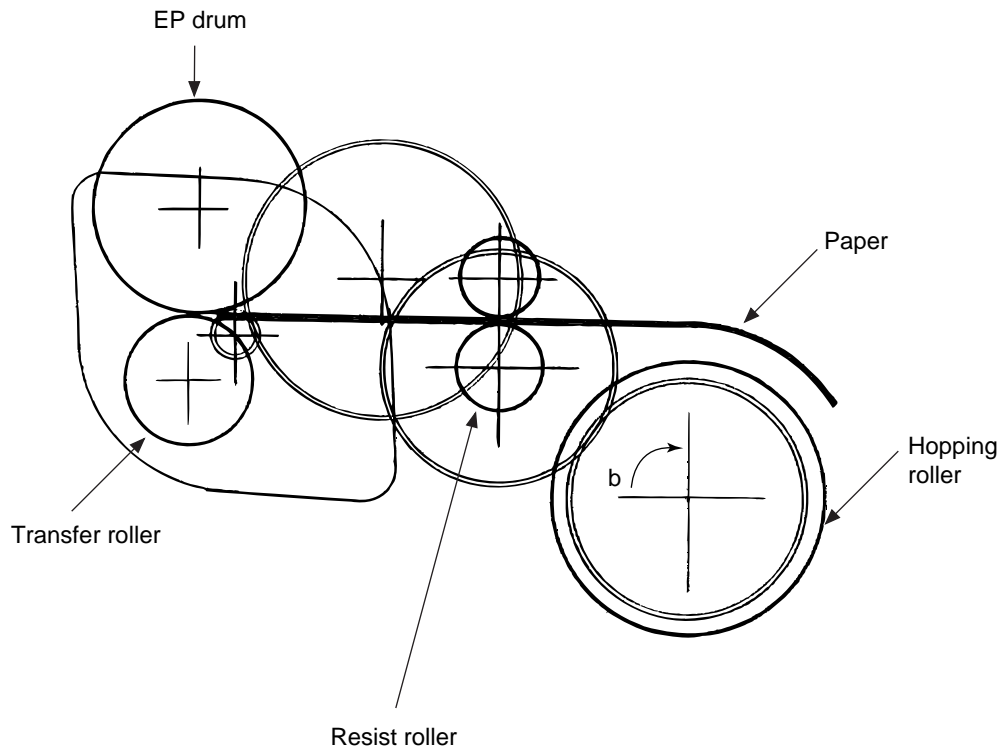


CW = Clockwise

DESCRIPTION OF PRINT OPERATIONS

(b) Feeding

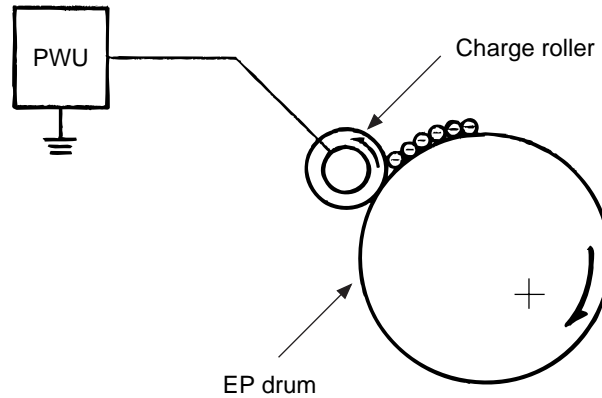
- 1 After end of hopping, turning the resist motor in the "b" direction (in the CCW direction) drives the resist roller to advance the paper. (In this case, the hopping gear also turns, but the hopping roller is prevented from turning by the one-way clutch gear.)
- 2 The paper is further advanced in synchrony with the print data.



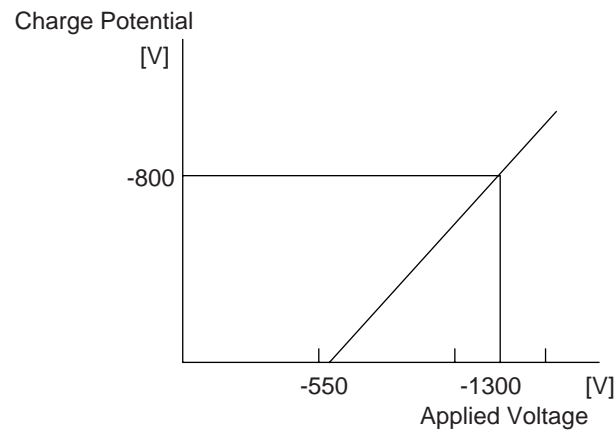
CCW = Counterclockwise

2) Charging

Charging is affected by applying a DC voltage to the charge roller that is in contact with the EP (image) drum surface.



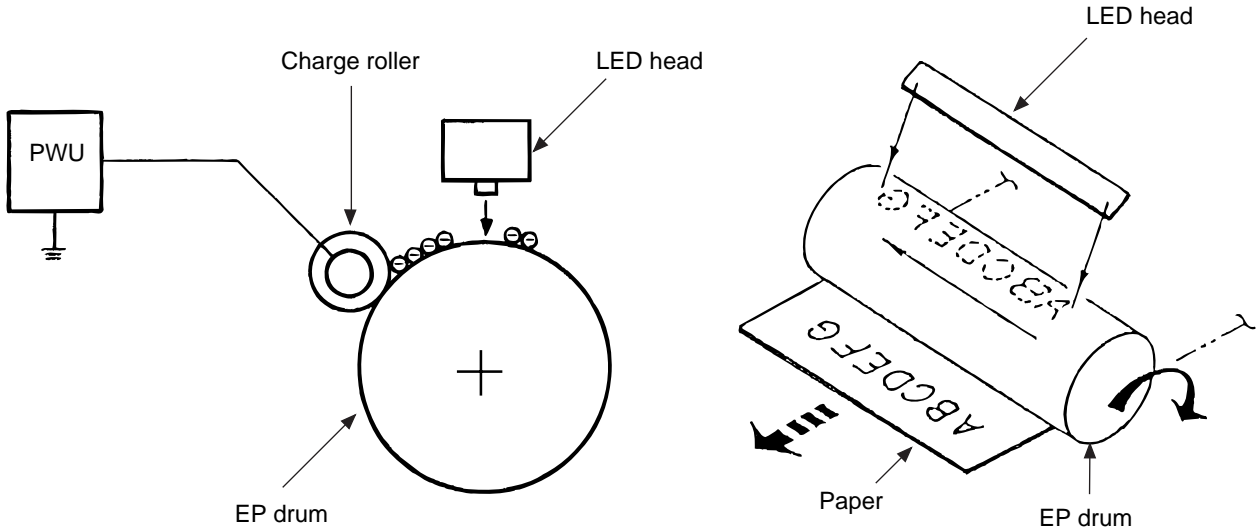
The charge roller is composed of two layers consisting of a conductive layer and a surface protective layer that has elasticity, in order to secure a good contact with the EP (image) drum. When the DC voltage (-1.30KV KVDC) applied from the Power Supply Unit exceeds a threshold value, charging begins. The applied voltage is proportional to charge potential with off set of approx. -550V.



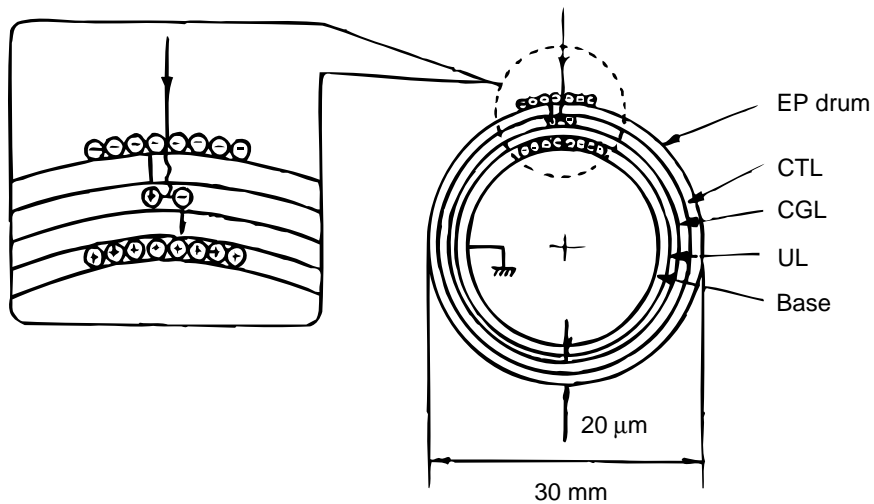
DESCRIPTION OF
PRINT OPERATIONS

3) Exposure

Light emitted from the LED head irradiates the EP (image) drum surface with negative charges. The surface potential of the irradiated part of the EP drum drops, thereby forming an electrostatic latent image associated with the image signal.



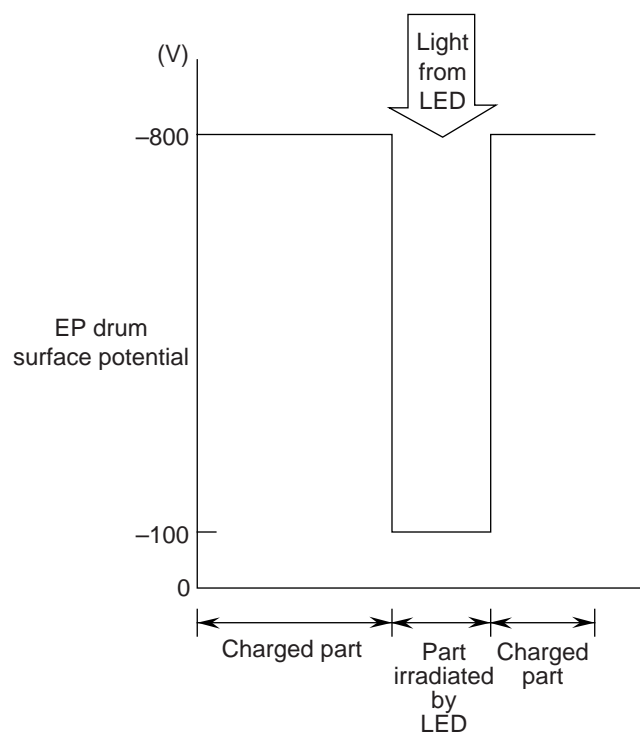
The EP (image) drum is coated with an underlayer (UL), a carrier generation layer (CGL), and carrier transfer layer (CTL) on the aluminum base. The organic photoconductor layer (OPC), comprising a CTL and a CGL, is about 20 μm thick.



The EP (image) drum surface is charged to about -800 V by the contact charge of the charge roller.

When light from the LED head irradiates the EP (image) drum surface, the light energy generates positive and negative carriers in the CGL. The positive carriers are moved to the CTL by an electrical field acting on the EP (image) drum. Likewise, the negative carriers flow into the aluminum layer (ground).

The positive carriers moved to the CTL combine with the negative charges on the EP (image) drum surface accumulated by the contact charge of the charge roller, lowering the potential on the EP (image) drum surface. The resultant drop in the potential of the irradiated part of the EP (image) drum surface forms an electrostatic latent image on it. The irradiated part of the EP (image) drum surface is kept at about -100 V.

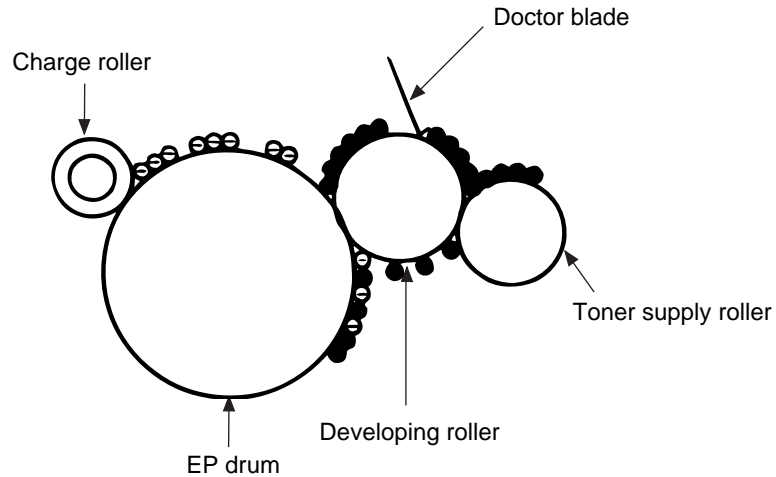


DESCRIPTION OF
PRINT OPERATIONS

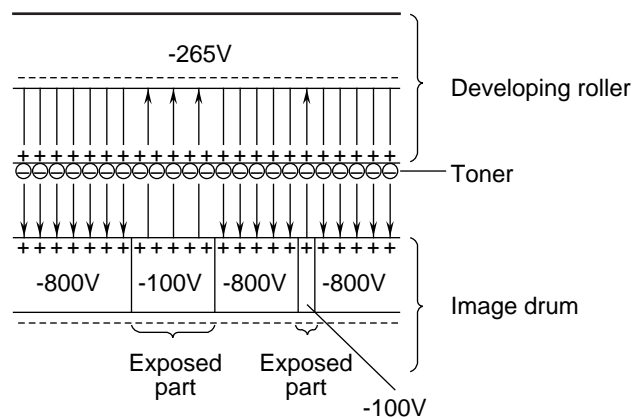
4) Developing

Toner is attracted to the electrostatic latent image on the EP (image) drum surface to convert it into a visible toner image. Developing takes place at the contact between the EP (image) drum and the developing roller.

- 1 As the toner supply roller rotates while rubbing on the developing roller, a friction charge is generated between the developing roller and the toner, allowing the toner to be attracted to the developing roller. (The developing roller surface is charged positive and the toner, negative.)

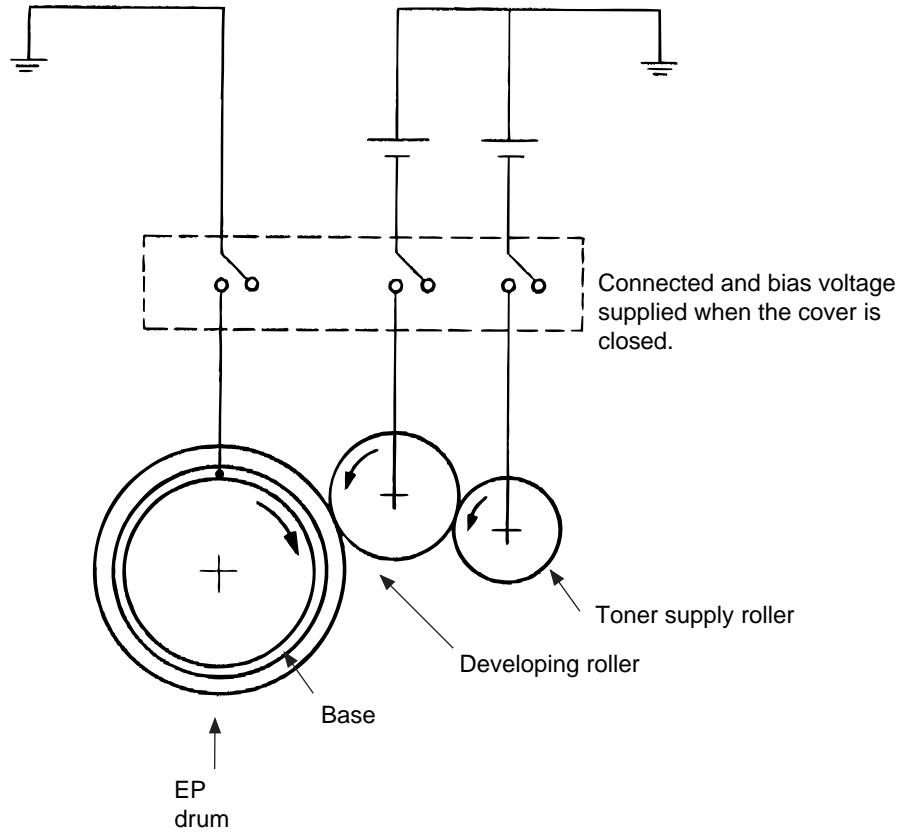


- 2 The toner attracted to the developing roller is scraped off by the doctor blade, forming a thin coating of toner on the developing roller surface.
- 3 Toner is attracted to the exposed part (low-potential part) of the EP (image) drum at the contact between the EP (image) drum and the developing roller, making the electrostatic latent image visible.



An illustration of activities at the contact point of the image drum surface and the developing roller (arrow marks denote the direction of the electric field).

Note: The toner supply roller and the developing roller are supplied with bias voltages required during the developing process as shown below. -500 VDC is supplied to the toner supply roller, -265 VDC to the developing roller.



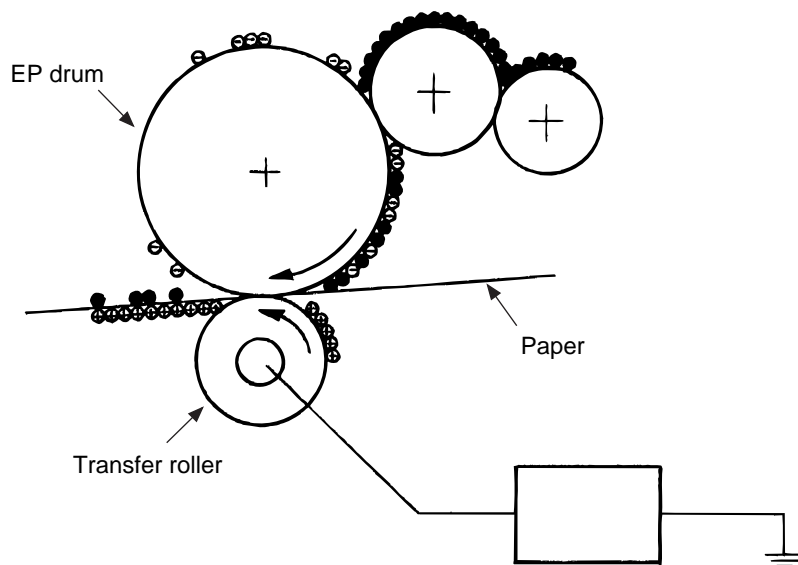
DESCRIPTION OF PRINT OPERATIONS

5) Transfer

The transfer roller is composed of conductive sponge material and is designed to make the EP (image) drum surface and the paper closely into contact.

Paper is placed over the EP (image) drum surface, and a positive charge, opposite in polarity to the toner, is applied to the paper from its reverse side.

The application of a high positive voltage (+1.5 KVDC) from the Power Supply Unit (H10 board) to the transfer roller causes the positive charge induced on the transfer roller surface to be transferred to the paper at the contact between the transfer roller and the paper. As a result, toner charged negative that is attracted to the EP (image) drum surface is transferred to the upper side of the paper by the positive charge on the lower side of the paper.

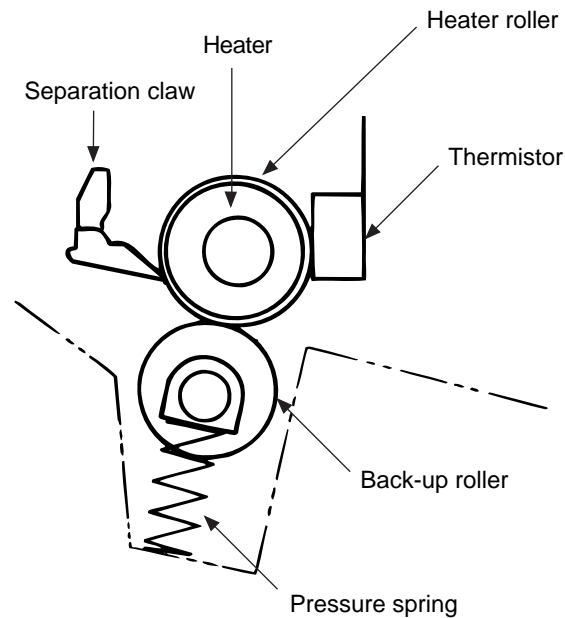


6) Fusing

After the end of the transfer operation, the unfused toner image is fused on the paper under heat and pressure as it passes between the heater roller and the back-up roller. The heater roller with a Teflon coating incorporates a 500 W heater (Halogen lamp), which heats the heat roller.

A thermistor, which is in contact with the heater roller, regulates the heater roller at a predetermined temperature (about 185 ½C for OKIFAX 5000 series). A safety thermostat cuts off voltage supply to the heater by opening the thermostat in the event of abnormal rise in temperature.

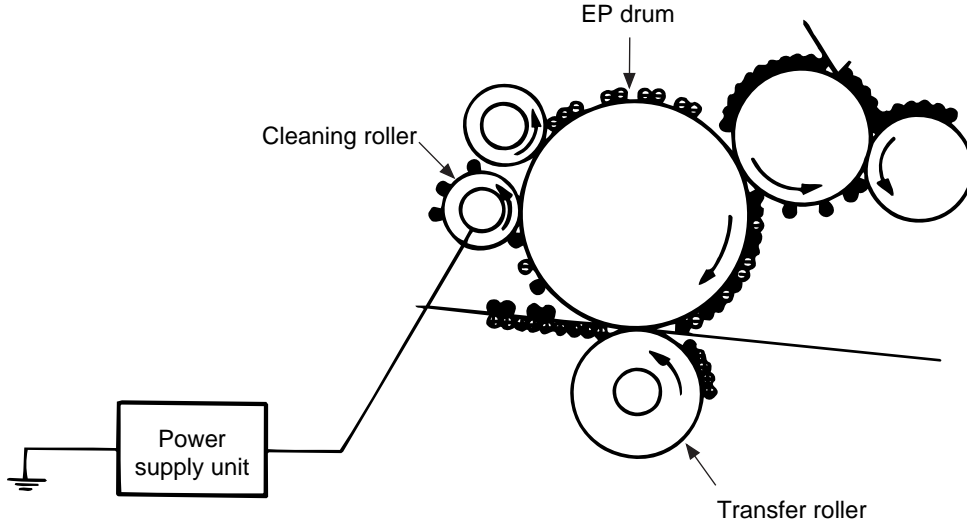
The back-up roller is held under a pressure of 2.84 kg by the pressure spring at each side.



DESCRIPTION OF
PRINT OPERATIONS

7) Cleaning

After the end of the transfer, residual toner on the EP (image) drum is attracted to the cleaning roller temporarily by static electricity to clean the EP (image) drum surface.



8) Cleaning of rollers

The charge roller, transfer roller and cleaning roller are cleaned in the following cases:

- In warning up at power-on time
- In warning up after the cover is opened and closed
- When the number of accumulated sheets is 10 and the printout operation ends

Changes in bias voltage applied to each roller move adhesive toner from the roller to the EP (image) drum and return it to the developer.

	Cleaning "NO" (V)	Cleaning "YES" (V)
DB+	(+300 V)	—
DB-	-265 V	-265 V
TR+	+1500 V	+1500 V
TR-	—	-1100 V
CB (cleaning)	+400 V	-1350 V
CH-	-1300 V	-1300 V

B.3 Errors

B.3.1 Errors List

The errors are listed below.

- 1) Major trouble errors
 - Fuser error
 - Fan error
 - 2'nd tray communication error
 - Toner lockout
- 2) Recoverable errors
 - Cover open
 - 2'nd tray route open
 - Paper size error
 - Face-up route open
 - No cassette in 2'nd tray
 - Paper exit jam
 - Drum setting error
 - No paper in 1'st cassette
 - Paper transport system error
 - No paper in 2'nd cassette
 - Paper supply error
- 3) Alarms (warning)
 - Low toner
 - Paper width error
 - Drum life expired

Note:

1. Major trouble errors do not recover unless a reset has been performed.
2. A recoverable error resets automatically by itself once the cause of the error has been removed. Printing is not possible while an error exists.
3. The alarm serves as a warning only and the printing operation is performed.

B.3.2 Major Trouble Errors

DESCRIPTION OF PRINT OPERATIONS

B.3.2.1 Fuser Error

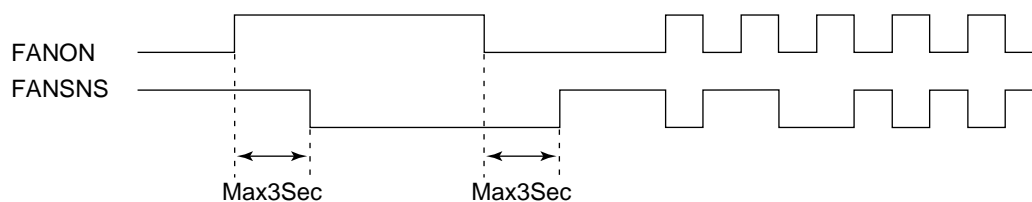
The fuser error indicates an error in thermister on heater.

In case the fuser error occurs at the time of printing, the heater is turned off soon but the printing continues of that page.

However, if the error occurs before the write sensor is turned on, the motor stops soon.

B.3.2.2 Fan Error

The fan error is generated when the FANSNS signal lead goes "1" while the fan is running at full speed. Operation of the FANSNS signal when the fan is turned on is described below.



Since the fan alarm is not monitored during printing, the fan alarm does not appear from the moment the printing is started until the completion of printing operation.

In other words, the printing will continue even if the fan alarm occurs during printing.

B.3.2.3 Paper Feed Monitoring

Status	Description and Supervising Sensor	Distance
Paper supply error	Indicates monitoring error in hopping. Hopping is retried 3 times.	118 mm or less path Length +36 (hopping) x 3
Transport system jam 1	Indicates an error in the paper transport path. Error on resist roller section. From resist ON to write sensor (PS2) ON.	30 mm or less Inlet ~ write +20
Transport system jam 2	From inlet sensor OFF up to write sensor OFF.	44 mm or less
Transport system jam 3	Indicates an error in the paper transport system. Error of transfer roller and/or heat roller. From write sensor ON to outlet sensor ON.	207 mm or less Write ~ outlet +69
Paper size error	Indicates paper size other than specified one. From resist ON to inlet sensor OFF.	Recording paper +/- 45 mm
Paper outlet jam 1	Supervises slipping of the recording paper. From outlet sensor ON to OFF.	Recording paper +/- 45 mm
Paper outlet jam 2	Supervises jamming at the near paper outlet. From outlet sensor ON to OFF. When a crumpled recording paper is detected, the outlet sensor is set to "OFF" earlier than usual.	135 mm or less: NG

B.3.2.4 2'nd Tray Communication Error

This error is generated if on sending a command to the 2'nd tray is returned no-status (90 ms) or an undefined status. However, in case there is no status when reset, it will be considered that the 2'nd tray is not mounted.

B.3.2.5 Cover Open

Cover open sensor "0" indicates an open cover.
When the cover is closed the CU (control unit) section sends the reset signal and processes in the same way as if the power has been turned on.

DESCRIPTION OF
PRINT OPERATIONS

B.3.3 Recoverable Errors

The three recoverable errors are listed in the table below.

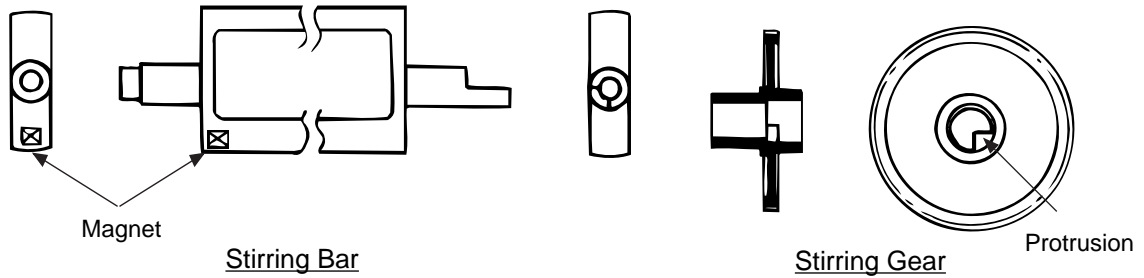
Status	Description and Supervising Sensor
2'nd tray route open	Paper supply route from the option 2'nd tray to the main body is open, recording paper of the 1'st tray is being replaced.
No paper in 1'st cassette	No paper has been detected by the 1'st tray's paper sensor. No paper has been detected by paper sensor in "1" state.
No paper in 2'nd cassette	Response from the option tray indicated no paper in 2'nd tray.

B.3.3.1 Toner Low Detection

- **Composition**

The device consists of the stirring gear which rotates at a constant rate, the stirring bar and the magnet on the stirring bar. The stirring bar rotates through the link on the protrusion in the stirring gear.

The configuration of stirring bar in the figure below may differ. The principle of toner detection, however, remains the same.

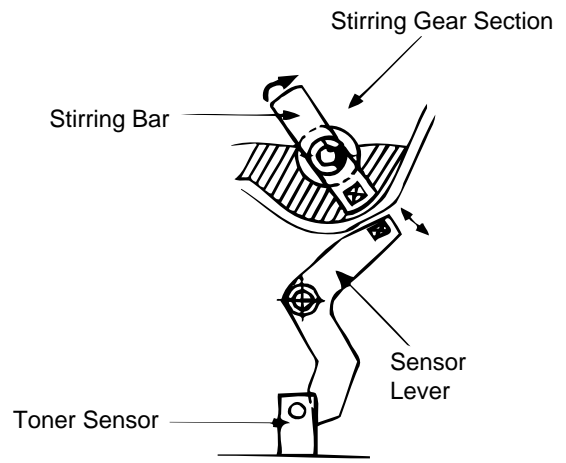


- **Operation**

Toner Low is detected by monitoring the time interval between the encounter of the magnet set on the sensor lever and the magnet on the stirring bar.

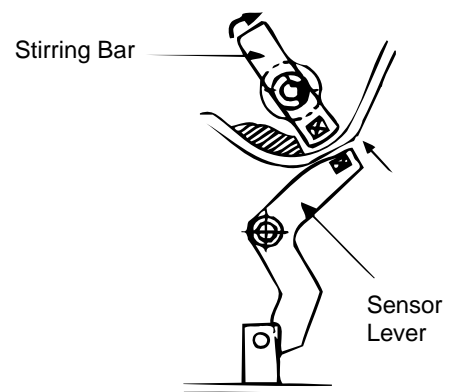
Operation during toner full state

- The stirring bar rotates due to interlocking with the stirring gear.
- Even when the magnet on the stirring bar reaches the maximum height, since the other side is being dipped in the toner, the stirring bar is pushed by the stirring gear.



Operation during toner low state

- When the stirring bar reaches the maximum height, since there is no resistance provided by the toner on the other side, it falls to the minimum height due to its own weight. Because of this, the time interval during which it is in encounter with the magnet of the sensor lever becomes long. By monitoring this time interval, toner low can be detected.



DESCRIPTION OF
PRINT OPERATIONS

Low Toner Alarm

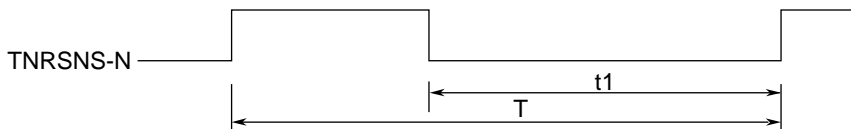
A check for low toner is carried out at all times when the drum is rotating (rotation in opposite direction is excluded).

- The toner sensor is not monitored while the drum motor is in halt.

TONER FULL state



TONER LOW state



- When the toner low state is detected 2 times consecutively, Toner Low is established.
- When the toner full state is detected 3 times consecutively, Toner Low is cancelled.
- When there is no change with the toner sensor for 2 cycles (5.3 sec. x 2) or more, then the Toner Sensor Alarm is activated.

Printing Speed	T	t1 (Toner Exists)	Remarks
8 ppm	2.6 sec.	less than 800 msec.	

B.4 Other Special Cases

B.4.1 Manual Paper Feed

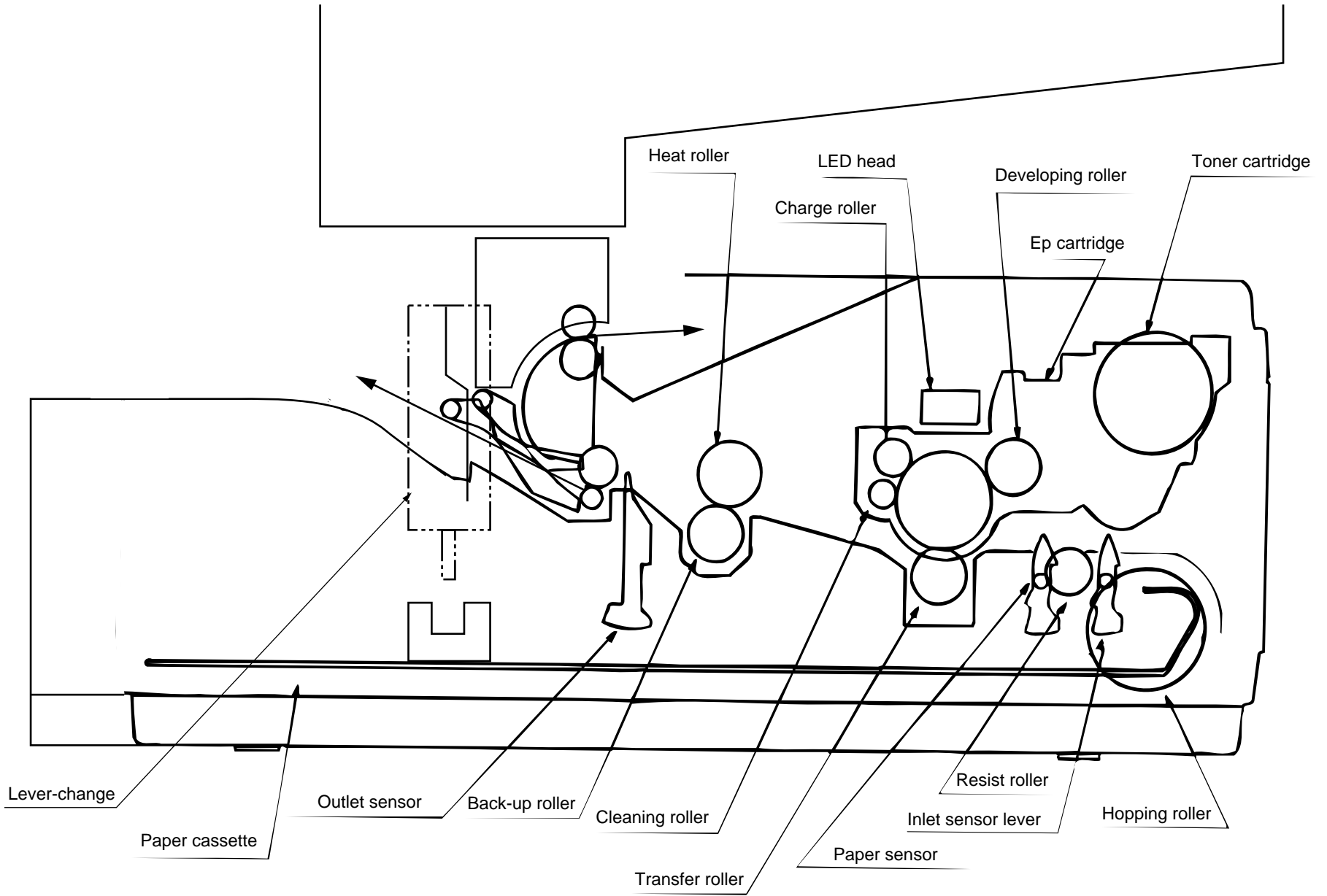
Turning on of the inlet sensors without the hopping operation indicates manual paper feeding for OKIFAX 5700/5900 (excluding when power is on).

B.4.2 Cleaning

The image drum needs cleaning since it gets dirty after having printed copies for a number of times.

The two kinds of cleaning are listed in the table below:

Cleaning Type	Function	Remarks
Cleaning	This cleaning removes the toner whose electric potential is reversed due to poor electrification, or removes the toner whose electric potential is insufficient on the image drum surface. (Recovery of the toner to developing roller)	Cleaning is performed when the number of prints exceed 10 sheets or the one-job operation ends. (At the end of communication or copy operations)
CH (charge roller) cleaning	This cleaning removes the residual toner on the charging roller surface. The toner is removed by moving to the recording paper from charging roller and image drum.	User operation



Appendix C

Not used at this time

Appendix D

Mechanical Expanded View Drawing and Parts List

(OKIFAX 5700/5900)

First Edition

February, 1999

Oki Data Corporation

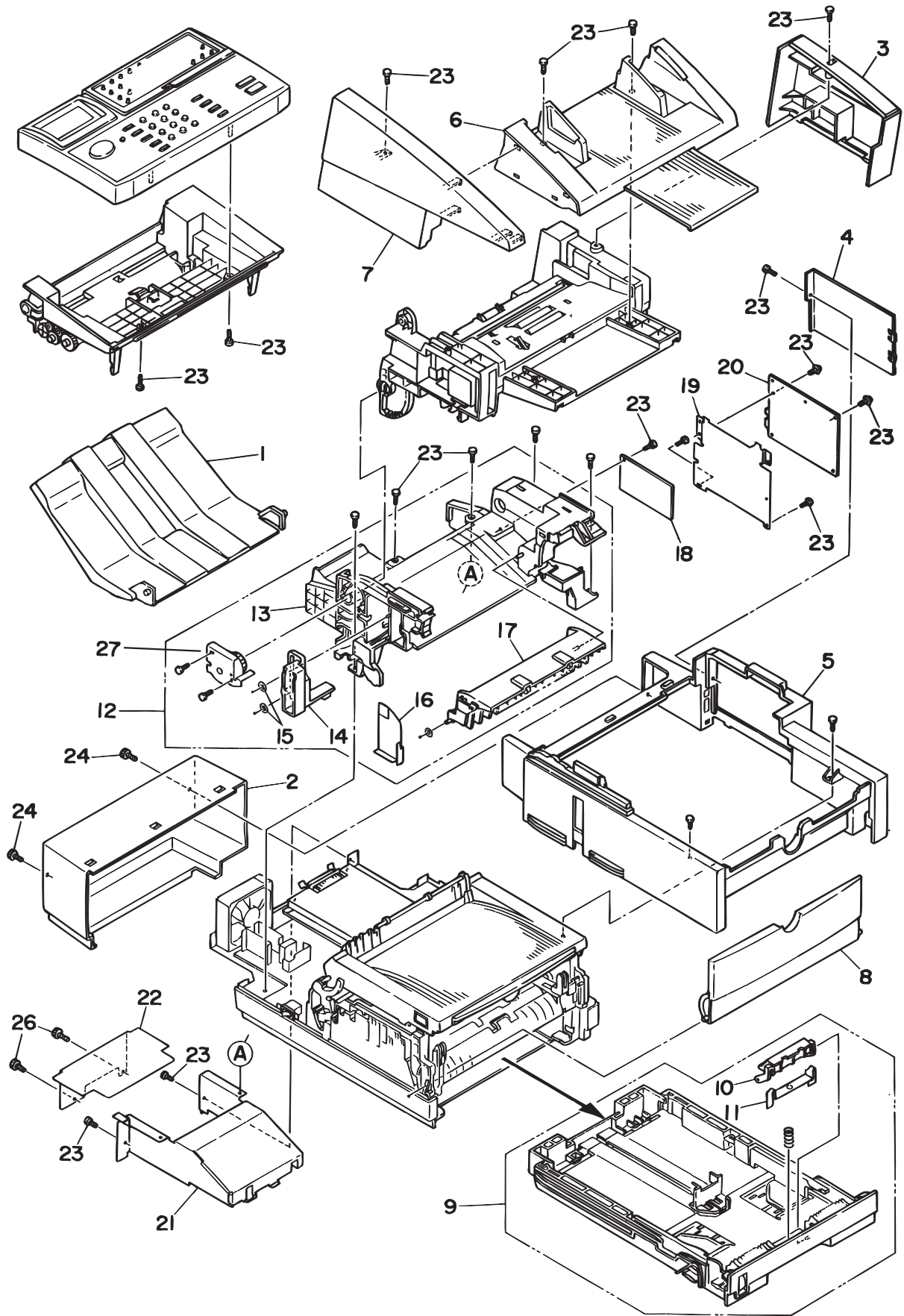
CONTENTS

	Page	
	Drawing	Parts Lists
Section 1 CABINET ASSEMBLY	D-1	D-2
Section 2 CONTROL PANEL ASSEMBLY	D-3	D-4
Section 3 PRINTER ASSEMBLY	D-5	D-6, 7
Section 4 BASE ASSEMBLY	D-8	D-9
Section 5 FRAME ASSEMBLY-SCANNER (L)	D-10	D-11
Section 6 FRAME ASSEMBLY-SCANNER (U)	D-12	D-13
Section 7 CABLES, OPTION BOARDS	D-14	D-15

Note 1: The blank columns of parts lists show the parts/units not treated as spare parts due to reasons as follows:

- 1) Item No. omitted.
- 2) Shown in other sections.
- 3) Consumables (Including screws).
- 4) Unified and inseparable parts/unit.

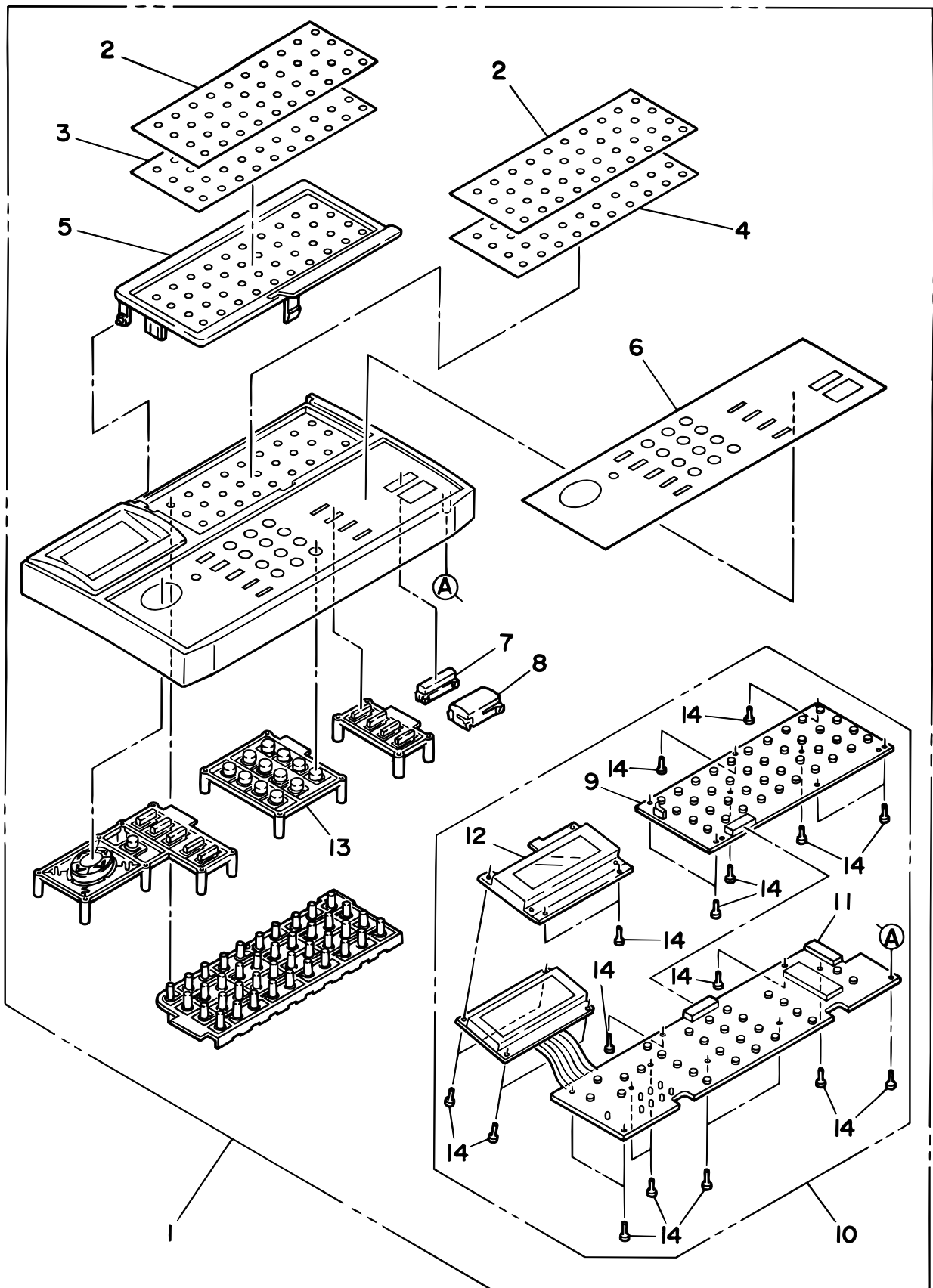
Section 1 CABINET ASSEMBLY



Section 1 CABINET ASSEMBLY

No.	Oki part Number	Description	Qty	Remarks
1	40730901	Stacker- Document	1	
2	40729501	Cover- Rear	1	
3	40762001	Cover- Side (R)	1	
4	40729401	Cover- NCU	1	
5	40729301	Cover- Main	1	
6	40804001	Cover Assy. – Document Table	1	
7	40761901	Cover-Side (L)	1	
8	51017201	Manual Feed Guide Assembly	1	
9	40473001	Cassette Assy. - Paper	1	
10	40259701	Seperation Frame Assembly	1	
11	40093802	Spring Damper Assembly	1	
12	40802601	Frame Assy. – Stacker (FU)	1	
13		Frame – Stacker (FU)		Part of Item No. 12
14		Lever – Change (PS)		Part of Item No. 12
15	50709103	CS – RING (CS4-SUS)	2	
16		Plate Assy. – Shield (PSU)		Part of Item No. 12
17	40802501	Guide Assy. – Paper (FD)	1	
18	40757301	Board – H34	1	
19	40730101	Plate – Shield (NCU)	1	
20	40044503	Board – NCU	1	
21	40730301	Plate – PKG	1	
22	40945401	Plate Assy. – Rear	1	
23		B Screw B	1	
24		Screw	1	
25		Tapping Screw B1	1	
26		Screw	1	
27	40741001	Limiter – 2 Way (F)	1	

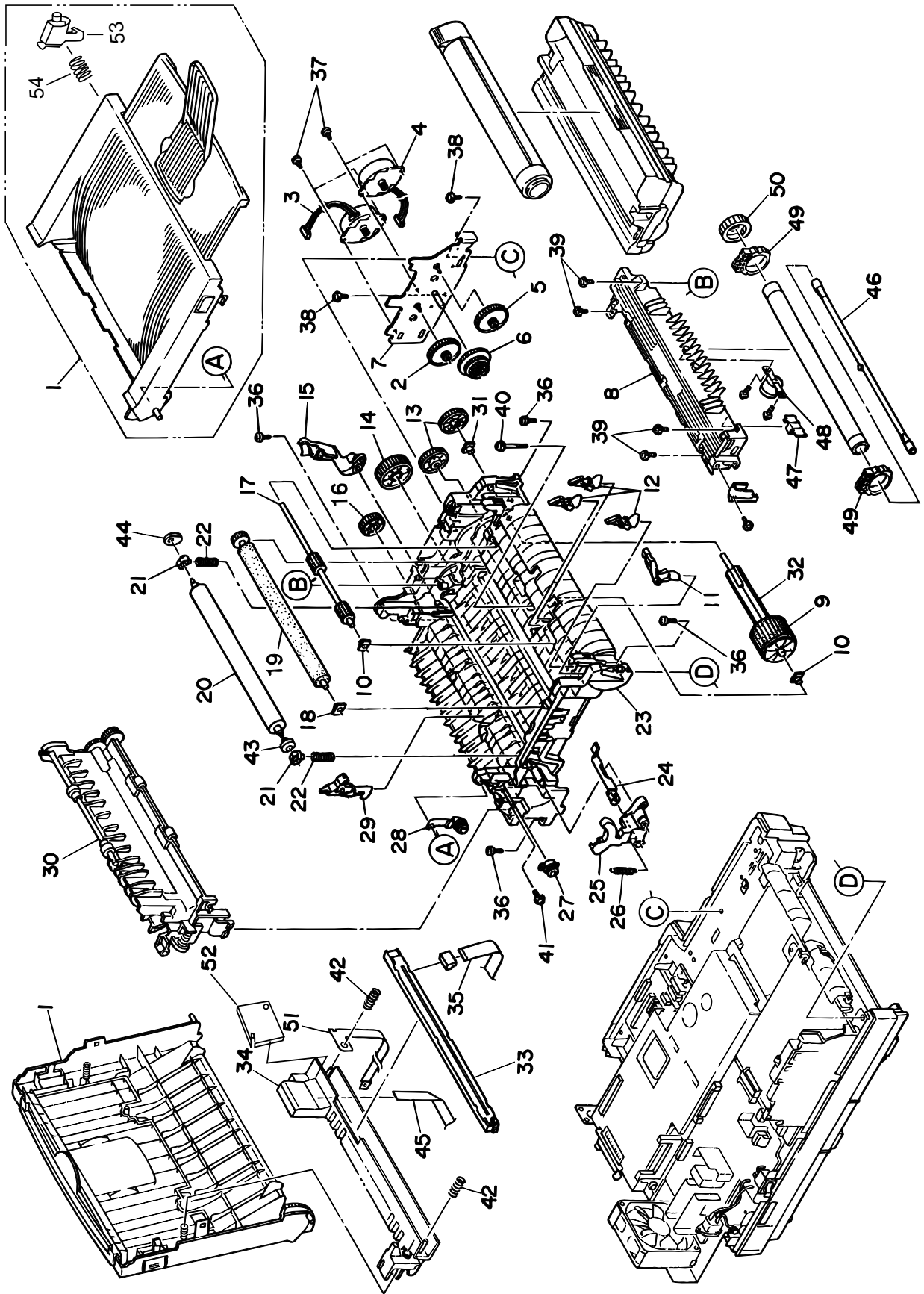
Section 2 CONTROL PANEL ASSEMBLY



Section 2 CONTROL PANEL ASSEMBLY

No.	Oki part Number	Description	Qty	Remarks
1a	40802902	OP Panel Assy. OKIFAX5700	1	
1b	40802907	OP Panel Assy. OKIFAX5900	1	
2	40733401	Film – One Touch	1	
3	40733301	Sheet – One Touch	1	
4	40733302	Sheet – One Touch	1	OKIFAX5900 only
5a	40919601	Cover – One Touch OKIFAX5700	1	
5b	40732401	Cover – One Touch OKIFAX5900	1	
6		Sheet – Function		Part of Item No. 1
7		Button – Start		Part of Item No. 1
8		Button – Stop		Part of Item No. 1
9		Board – P77		Part of Item No. 1
10		Board Assy. – P76		Part of Item No. 1
11		Board – H34		Part of Item No. 1
12		Holder – LCD		Part of Item No. 1
13		Button – Ten Key		Part of Item No. 1
14		B Screw A		Part of Item No. 1

Section 3 PRINTER ASSEMBLY



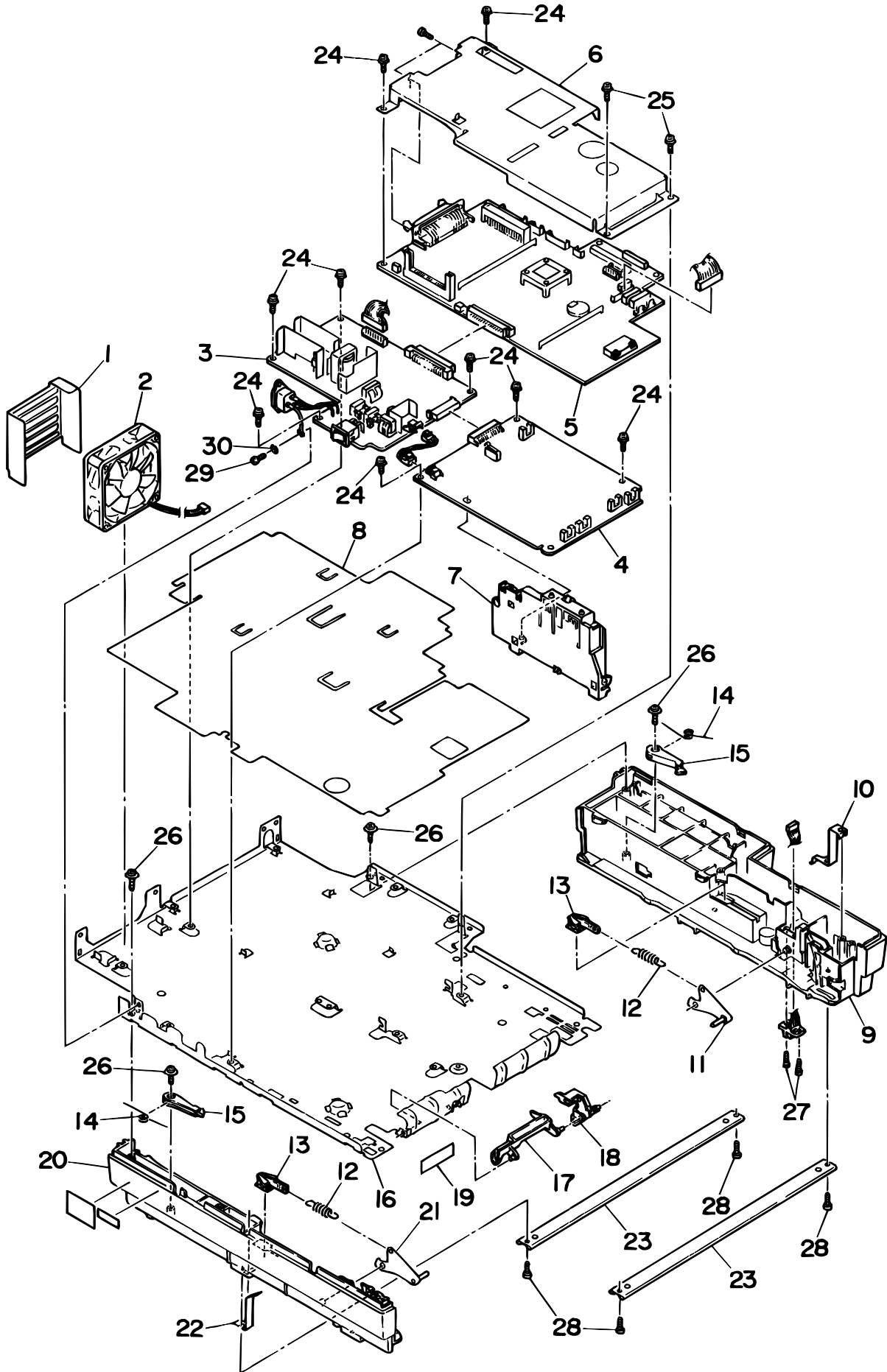
Section 3 PRINTER ASSEMBLY 1/2

No.	Oki part Number	Description	Qty	Remarks
1	40796501	Stacker Assembly	1	
2	40778101	Gear – Idle A (Z60/16)	1	
3	40229001	Motor – Pulse (Main)	1	
4	40396201	Motor – Pulse (Registration)	1	
5	40295101	Gear – Idle B (Z60/16)	1	
6	51239501	Gear – Reduction	1	
7	40294801	Bracket – Motor (Caulking)	1	
8	40625702	Heat Assy. – (Fuser)	1	
9	51711401	Rubber – Hopping Roller	1	
10	51607402	Bearing A	3	
11	50405501	Toner Sensor Assy.	1	
12	51010701	Sensor Plate (IN)	3	
13	51228901	One-Way Clutch Gear	2	
14	51229101	Gear – Idle B	1	
15	50805901	Reset Lever R	1	
16	51229201	Gear – Idle C	1	
17	40740601	Roller – Registration	1	
18	40438001	Bearing – TR	1	
19	40437801	Roller – Transfer B Assy.	1	
20	53343701	Roller – Back Up	1	
21	51607601	Bushing – A	2	
22	50929301	Bias Spring C	2	
23	40771201	Frame – Lower Subassembly	1	
24	53068901	Switch Arm Lever	1	
25	50805801	Reset Lever L	1	
26	50924201	Reset Spring	1	
27	51229401	Damper Frame	1	
28	53069101	Damper Arm Assy.	1	
29	40771401	Lever – Eject Sensor Assy.	1	
30	40796201	Guide Assy. – Eject	1	
31	51607501	Bearing R	1	
32	50219601	Hopping Roller Shaft	1	
33	40521201	LED Head Unit – 51K	1	
34	40949601	Holder Assy. – TLK	1	
35	40241703	Cord – LED Assy.	1	
36		Screw	4	

Section 3 PRINTER ASSEMBLY 2/2

No.	Oki part Number	Description	Qty	Remarks
37		S Screw B	4	
38		S Screw C	1	
39		Tapping Screw B1	4	
40		Cup Screw C	1	
41		Tapping Screw B2	1	
42	40640801	Spring – Head	2	
43	50517001	Washer B	1	
44	50517201	Washer C	1	
45	56731701	SMCD7X320BDX10/6 (BL) CONN. PAR	1	
46		Halogen Lamp (Q) F120		Part of Item No. 8
47		Heat Sensor		Part of Item No. 8
48		Thermostat A		Part of Item No. 8
49		Bearing B		Part of Item No. 8
50		Gear A		Part of Item No. 8
51	40891301	Film – FG (FAX)	1	
52	40807201	Board – TLK	1	
53	50809902	Stacker Cover Holder	2	
54	50932801	Spring – Knob	2	
55		Toner		
56		Image Drum		

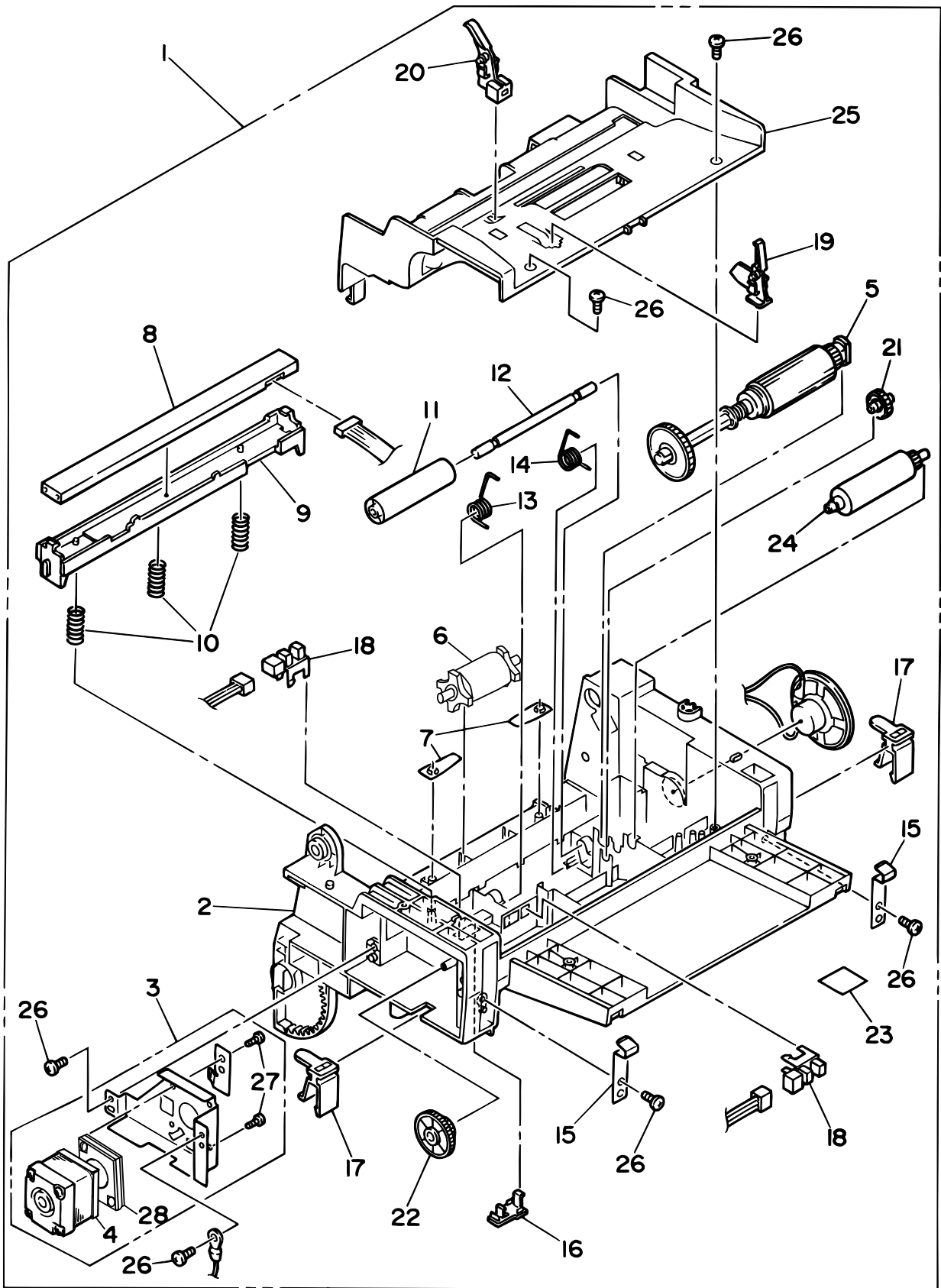
Section 4 BASE ASSEMBLY



Section 4 BASE ASSEMBLY

No.	Oki part Number	Description	Qty	Remarks
1	40275501	Plate – Guard	1	
2	56512801	DC Fan Motor	1	
3	40628501	120V Power Supply	1	
4	40660201	PWR Unit – H10	1	
5a	40755111	Board – M76 – 11	1	OKIFAX5900
5b	40755112	Board – M76 – 12	1	OKIFAX5700
6	40730201	Plate – Shield (MCNT)	1	
7	56730001	Contact Assembly	1	
8	40763001	Sheet – Insulation	1	
9	40729901	Guide – Cassette (R)	1	
10	51023701	FG Plate C	1	
11	50808601	Sheet Link R Assembly	1	
12	50929901	Sheet Spring	2	
13	53345201	Link Pull Lever	2	
14	50929501	Cassette Lock Spring	2	
15	50808401	Cassette Lock Lever	2	
16	40730001	Plate – Base	1	
17	51019701	Paper End Sensor Lever	1	
18	51011501	Cassette Detection Lever	1	
19		Polyethylene Tape		
20	51017301	Cassette Guide L	1	
21	50808501	Sheet Link L Assembly	1	
22	51023601	FG Plate D	1	
23	51608801	Beam Plate	2	
24		B Screw B		
25		B Screw B		
26		Tapping Screw B1		
27		Screw		
28		Screw		
29		S Screw C		
30		Washer		

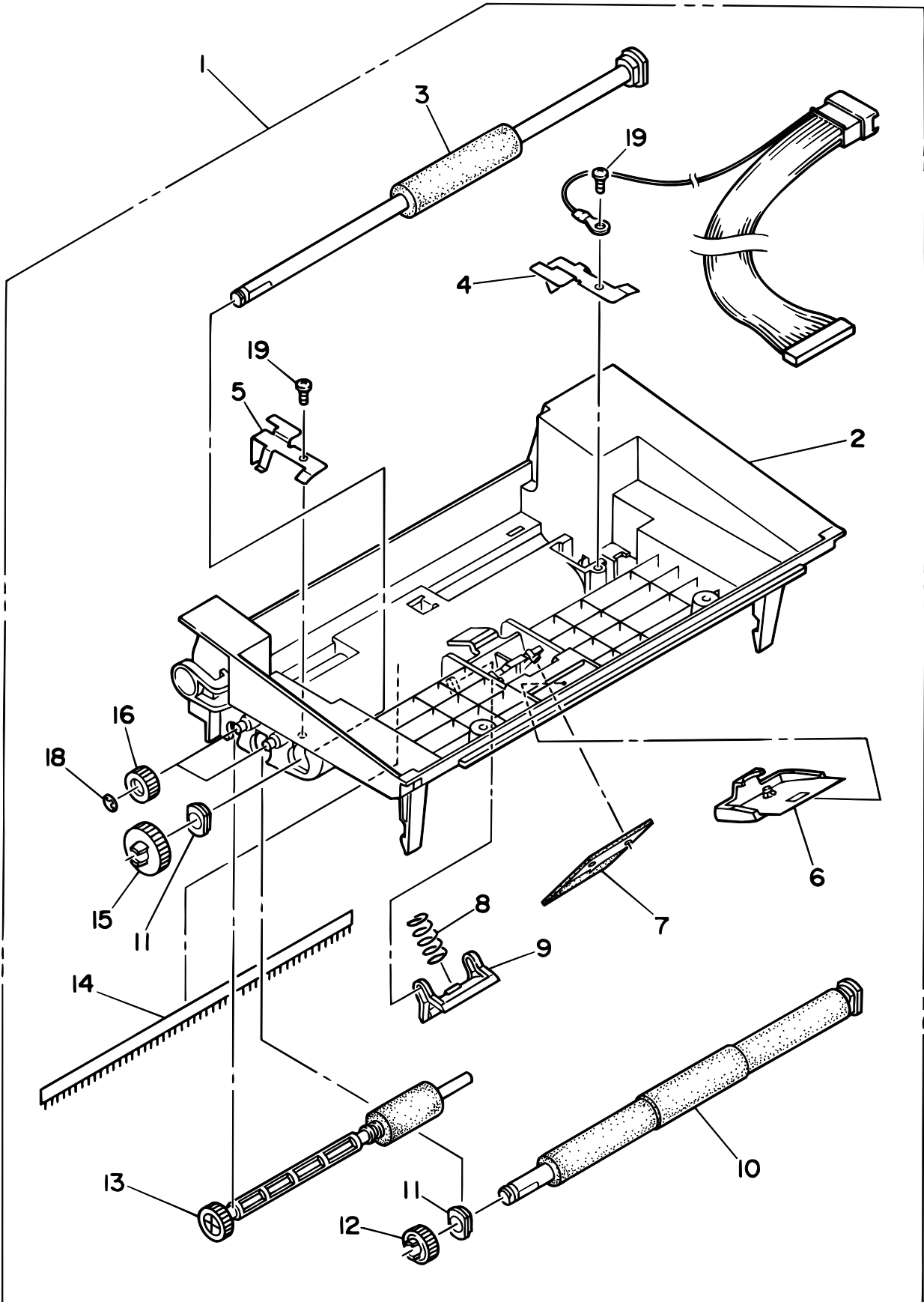
Section 5 FRAME ASSEMBLY-SCANNER (L)



Section 5 FRAME ASSEMBLY-SCANNER (L)

No.	Oki part Number	Description	Qty	Remarks
1		Frame Assy. – Scanner (L)		
2	40731201	Frame – Scanner (L)	1	
3		Motor Assy. – Scanner		
4	40803801	Motor – Pulse (S)	1	
5	40976401	Roller Assy. – ADF	1	
6	40983301	Roller Assy. – Eject	1	
7	50932301	Eject Pinch Spring	2	
8	40809901	Contact Image Sensor (A4, 300DPI)	1	
9	40731501	Holder – CIS	1	
10	40731901	Spring – CIS	3	
11	50406201	Pinch Roller	1	
12	40802201	Shaft – Pinch	1	
13	40732101	Spring – Pinch (L)	1	
14	40732201	Spring – Pinch (R)	1	
15	50930101	Latch Spring	2	
16	40915801	Cap PC2	1	
17	40733601	Stopper – Scanner	2	
18	50410001	Photo Sensor	2	
19	50808701	PC1 Lever	1	
20	50808801	PC2 Lever	1	
21	51229501	Gear (Z20)	1	
22	40930201	Gear – Idle (Z75/15)	1	
23		Tape Insulation		
24	50406101	Sub-Roller Assy.	1	
25	40731301	Paper Guide	1	
26		B Screw B		
27		S Screw B		
28	51017102	Damper – Rubber	1	

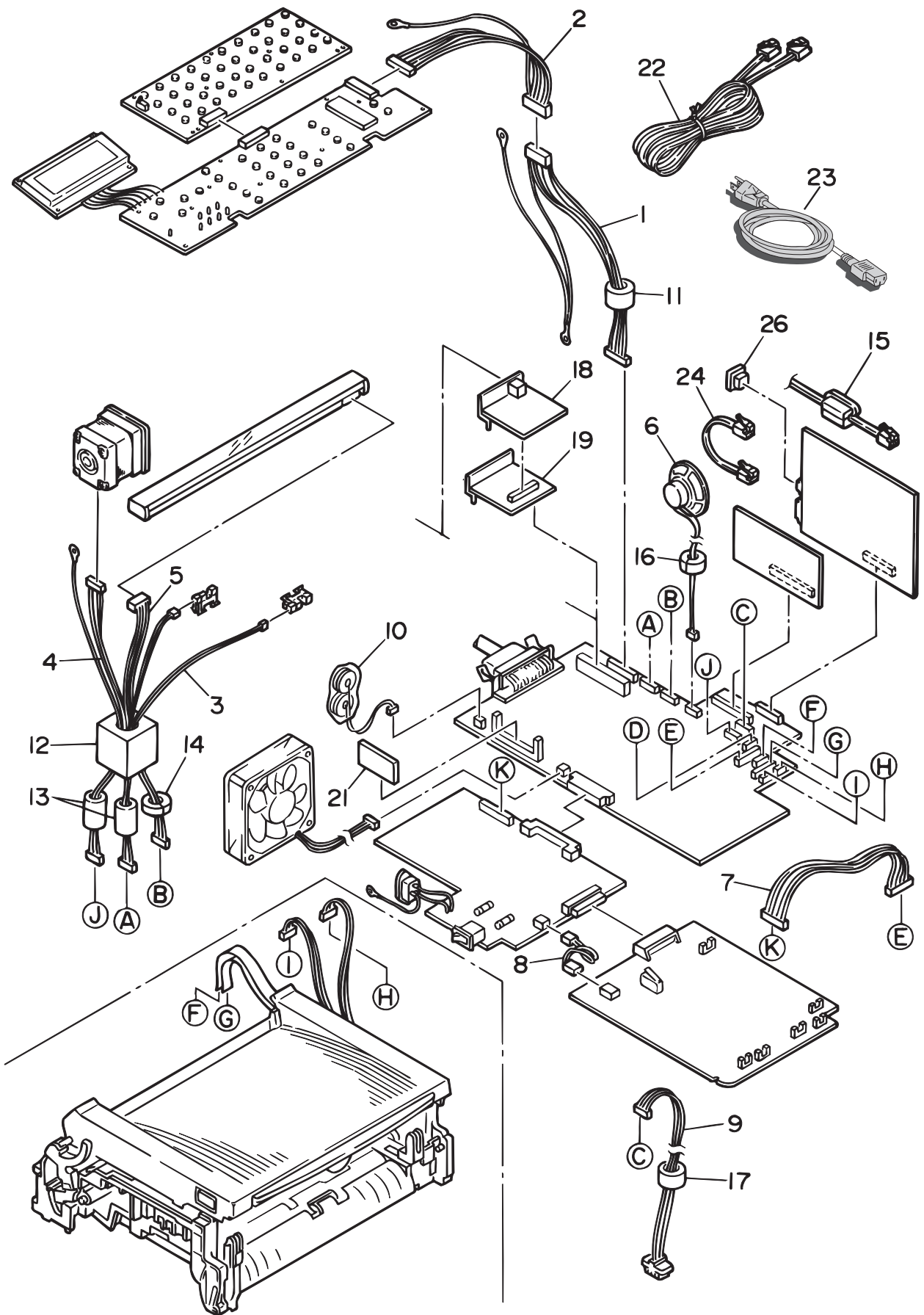
Section 6 FRAME ASSEMBLY-SCANNER (U)



Section 6 FRAME ASSEMBLY-SCANNER (U)

No.	Oki part Number	Description	Qty	Remarks
1		Frame Assy. – Scanner (U)		
2	40731101	Frame – Scanner (U)	1	
3	50410301	Feed Roller Assembly	1	
4	51023801	Earth – Plate (SR)	1	
5	51023901	Earth – Plate (SL)	1	
6	40803601	Plate Assy. – Pinch	1	
7	53344901	Separation Rubber Assembly	1	
8	40732001	Spring – ADF	1	
9	53339801	Back-up Plate	1	
10	40935801	Roller Assy. – Sensor	1	
11	51608901	Bearing ADF	2	
12	51236501	Gear (Z22)	1	
13	51410401	Exit Roller Assembly	1	
14	40983001	Bar – Discharge	1	
15	51236401	Gear (Z28)	1	
16	51226101	Gear (Z16)	2	
17				
18	50709103	CS – Ring (CS4-SUS)	2	
19		B Screw B	2	

Section 7 CABLES, OPTION BOARDS



Section 7 CABLES, OPTION BOARDS

No.	Oki part Number	Description	Qty	Remarks
1		Conn Cord – OPE2		
2		Conn Cord – OPE1		
3		Conn Cord – PC1/PC2		
4		Conn Cord – Wire Motor		
5		Conn Cord – CIS		
6	40916401	Speaker	1	
7		Conn Cord – PSU (3.3V)		
8		Conn Cord – PSU (High/Low)		
9		Connector Cord		
10	40805101	Battery Assy. – Secondary	1	
11		TFC – 23 – 11 – 14 Core		
12		0443 – 167251 Core		
13		SFC – 4 Core		
14		TFC – 23 – 11 – 14 Core		
15		SFC – 8 Core		
16		TR – 16 – 8 – 13 Core		
17		TR – 28 – 16 – 20 Core		
18	40924601	Board – Interface MLET B07	1	
19	40804901	PCB Unit – DM1	1	
20				
21a	40755201	Board – RA1 (2MB)	1	2MB Option
21b	40755202	Board – RA1_2 (4MB)	1	4MB Option
22	56621001	Tel/Line Cable	1	
23	56618901	AC Cord	1	
24	56635001	Cord (Tel1-Tel2)	1	
25				
26	53078001	TM – 6 – DC1, Connector Plug	1	
27	40757301	Board – H34 (V.34 Modem)	1	Not called out
28	40044503	Board – NCU	1	Not called out

Appendix E
Not used at this time

Oki Data Corporation

Appendix F
Not used at this time

Oki Data Corporation

Appendix G

PC-Loading

First Edition

February, 1999

Oki Data Corporation

OKIFAX 5700/5900

SYSTEM SPECIFICATION

PC LOADING PART

Ver. 00.11

CONTENTS

1. General	G-1
1.1 Application	G-1
1.2 General	G-1
1.3 Note on Explanation	G-1
1.4 Related Document	G-1
2. Basic Operation	G-2
2.1 Supported Functions	G-2
2.2 Differences from HSLs	G-2
2.3 G4 PC Loading	G-3
3. PC Loading Procedure	G-4
3.1 PC Loading upon Memory Error Occurrence	G-4
3.1.1 Explanation on Procedure	G-4
3.1.2 Procedural Sequence Diagram	G-4
3.2 PC Loading by Manual Operation	G-5
3.2.1 Explanation on Procedure	G-5
3.2.2 Procedural Sequence Diagram	G-5
3.2.3 Operation Flow	G-6
3.3 G4 PC Loading	G-8
3.3.1 Explanation on Procedure	G-8
3.3.2 Sequence Diagram	G-9
3.3.3 Operation Flow	G-10
4. LCD Messages	G-11
5. Buzzer Sounding Patterns	G-12
5.1 Upon Start of PC Loading	G-12
5.2 Upon Normal End	G-12
5.3 Upon Error Occurrence	G-12
6. List of Error Causes and Corresponding Codes	G-13
7. Cautions	G-15
8. Loading Processing Time	G-15
8.1 Main Board	G-15
8.2 ISDN Option Board	G-15

1. General

1.1 Application

This specification applies to the OKIFAX 5700/5900, an MFP unit capable of two-way communication using the parallel port as its standard feature.

1.2 General

This specification describes the details of PC loading through the Centro connector provided in the OKIFAX 5700/5900.

The functions covered are for loading by each of default data, flash memory program and language areas, which are equivalent to those of the existing HSLs.

1.3 Note on Explanation

The terms used herein shall be interpreted as follows unless specified otherwise.

Term	Explanation
Transfer	Transmission from the PC to the MFP
Receiving	Receiving from the PC to the MFP
Loading data	Data in general that is transferred from the PC to the MFP
Loading program	Program for receiving the data actually loaded to the MFP
Transfer	Data transfer from the MFP to the G4 board
MFP main unit	Main unit of the MFP excluding the option board
MFP system	Whole MFP system including the option board
G4 board PC loading data	Data transferred from the PC to the MFP, that is, a G4 board loader or a G4 board program to be loaded
G4 board loading program	Program that runs in the G4 board's DRAM to receive the G4 board program from the MFP main unit.

1.4 Related Document

FX-056/176 Product Specification

2. Basic Operation

2.1 Supported Functions

The PC loading functions described herein are as follows. Functions equivalent to those used in the existing HSLs (High Speed Loading System) are supported.

1. Default data area loading function
2. Language area loading function
3. Flash memory area program loading function (The flash memory on the ISDN option board is included.)

These PC loading functions are supported only when the OS used on the PC side is either MS-DOS Ver. 6.0 or above or PC-DOS Ver. 6.0 or above.

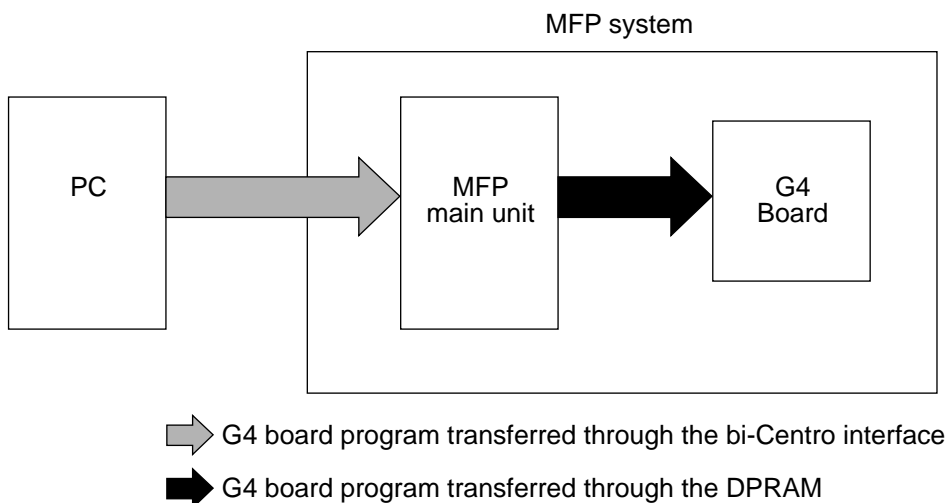
2.2 Differences from HSLs

It must be noted that PC loading through the Centro cable is different in the following points as compared with loading in the HSLs:

- (1) While transition to the PC loading process is judged according to the presence/absence of the HSLs board, transition to PC loading is possible by detection of memory error occurrence and manual key operation this time.
- (2) The header information is added anew to cope with the addition of the loading program as one of the loading data.
- (3) There is no special application in this PC loading unlike the HSLs. Loading is performed by loading data output to the parallel port by means of a binary specification (copy/b).
- (4) In the case of the HSLs, returning to normal standby state will not occur so long as the HSLs board is installed. In this system, on the other hand, the normal standby state is set automatically upon detection of the end of loading data by means of the header data.
- (5) The cause of the error is displayed by the corresponding code upon occurrence of a hash NG or other error. For the code, see "6. List of Error Causes and Corresponding Codes."

2.3 G4 PC Loading

The G4 board PC loading data transferred from the PC through the bi-Centro cable is temporarily stored in the DRAM in the MFP main unit. Next, this data is transferred to the G4 board through the dual port RAM (hereafter called the DPRAM).



2.3.1 Operating Conditions

1. G4 board PC loading is started when the following operation is performed with a G4 board installed in the MFP main unit:

- Operation of G4 board PC loading key when the MFP is in the normal standby state

Unlike the PC loading to the MCNT, there is no other methods for starting loading such as the method by which a special operation is performed. (For details on the key operation, see Section 2.2.1.3, "Operation Flow.")

2. Since the G4 board PC loading function is performed using the program in the flash memory in the MFP main unit, G4 board PC loading cannot be done when the machine does not start normally due to a flash memory hash error. (It is a matter of course that G4 board PC loading can be performed normally even if a flash memory hash error occurs on the G4 board side.)
3. The PC has no dedicated application for G4 board PC loading. Use a COPY command of MS(PC)-DOS along with a binary switch (copy/b) to output G4 board PC loading data through the parallel port.
4. When G4 board PC loading ends normally, control jumps to the initial process, getting into the normal standby state.
5. When an error such as a hash error occurs, its cause is displayed on the LCD. For error codes, see Chapter 6, "Error Causes and Codes."

3. PC Loading Procedure

3.1 PC Loading upon Memory Error Occurrence

3.1.1 Explanation on Procedure

The PC loading procedure when the LCD on the MFP displays "MEMORY ERROR" for a hash NG state due to one reason or another is explained below.

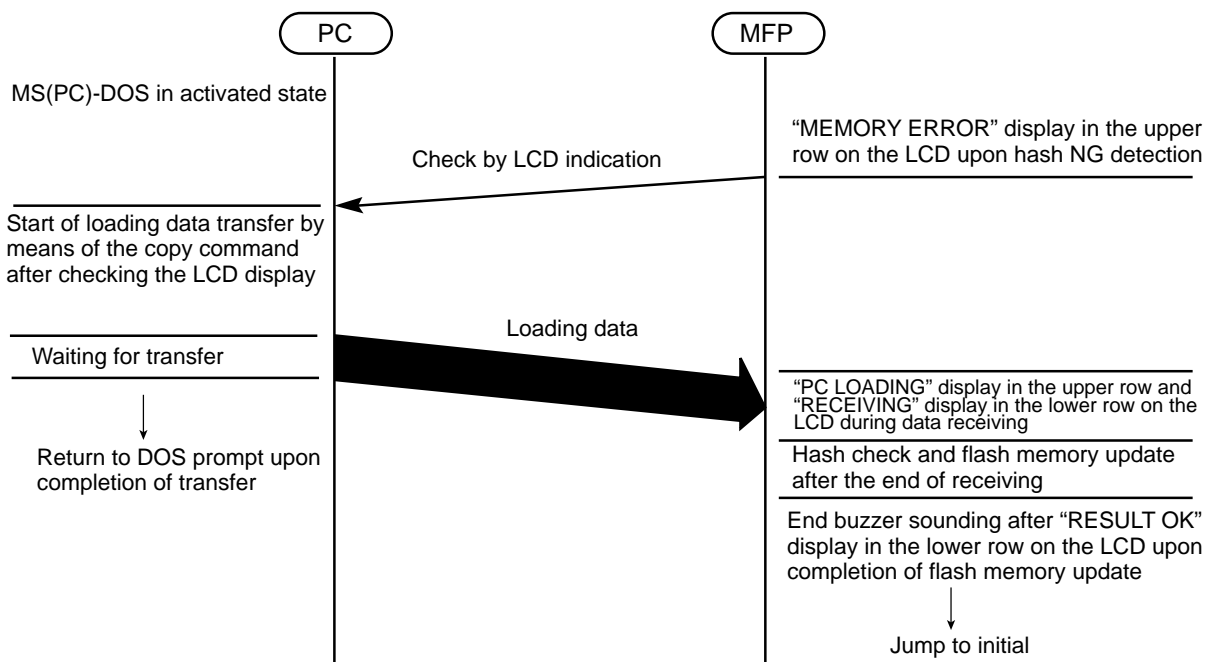
- (1) Activate the MS(PC)-DOS with the host PC and the MFP connected via the Centro cable.
- (2) Input the copy command from the MS(PC)-DOS on the PC to output the loading data file in binary specification to the LPT1 in order to transfer the loading data to the MFP.

Example:

```
>copy/b xxx.x LPT1 (xxx.x is the loading data file name.)
```

- (3) The user shall judge the normal end of data loading by checking the normal end of file output on the PC and sounding of the buzzer indicating the normal end on the MFP. If the MFP displays an error on the LCD, sounds the buzzer for an error or lights up the alarm LED, the user shall judge abnormal end of data loading from the PC and repeat the procedure from step 2 after turning the MFP power off once and to on again.

3.1.2 Procedural Sequence Diagram



3.2 PC Loading by Manual Operation

3.2.1 Explanation on Procedure

Loading shall be performed as shown below when the PC loading function is selected by key operation by a service man.

- (1) Activate the MS(PC)-DOS with the host PC and the MFP connected via the parallel cable.
- (2) Input the copy command from the MS(PC)-DOS on the PC to output the loading data file in binary specification to the LPT1 in order to transfer the loading data to the MFP.

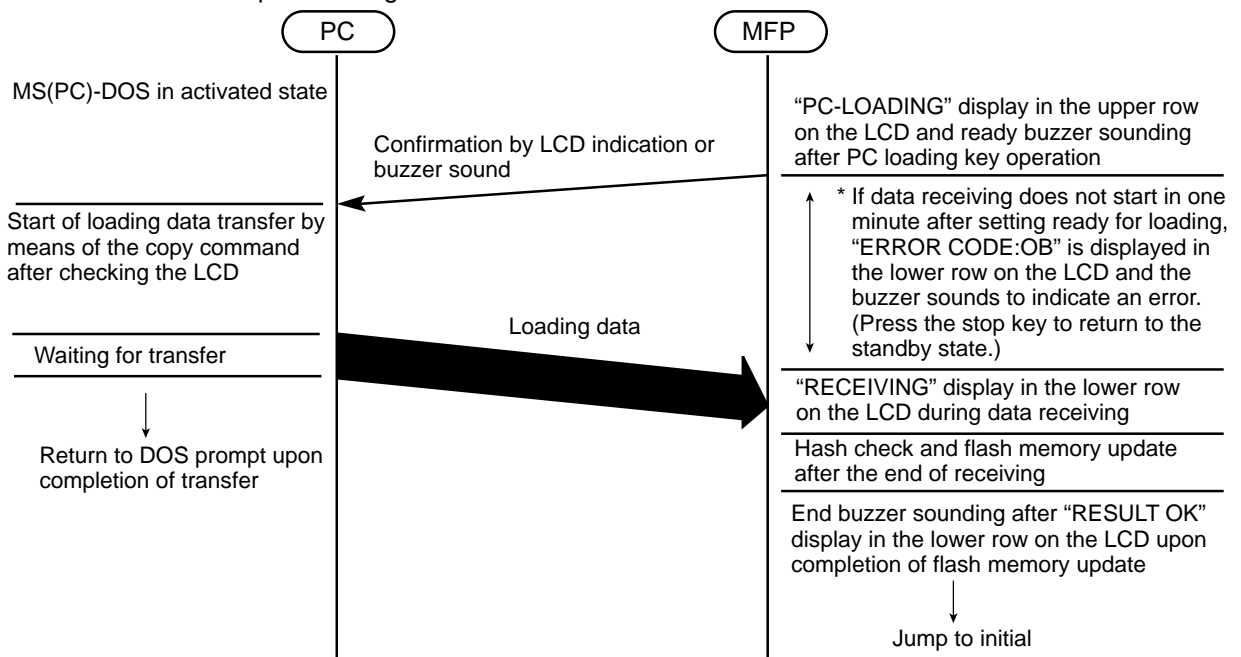
Example:

```
>copy/b xxx.x LPT1    (xxx.x is the loading data file name.)
```

Note: This should be the first data sent to the machine after it is powered off and on.

- (3) The user shall judge the normal end of data loading by checking the normal end of file output on the PC and sounding of the buzzer indicating the normal end on the MFP. If the MFP displays an error on the LCD, sounds the buzzer for an error or lights up the alarm LED, the user shall judge abnormal end of data loading from the PC and repeat the procedure from step 2 after turning the MFP power off once and to on again. (See "6. List of Error Causes and Corresponding Codes" for the error cause.)

3.2.2 Procedural Sequence Diagram



3.2.3 Operation Flow

- PC Loading

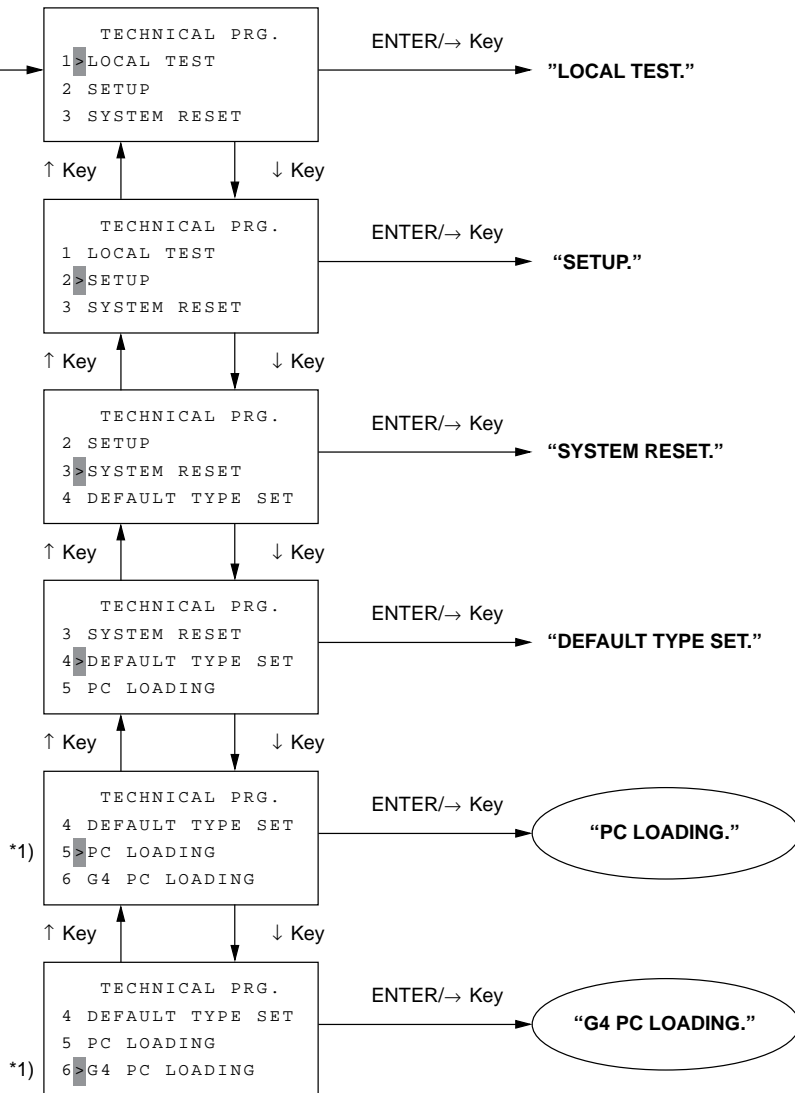
- 1) The machine is standby state with no document.
- 2) Press the MENU key once.
- 3) Press the RESOLUTION key twice.
The display will be shown the "TECHNICAL PRG".
- 4) PC Loading
 - Press the SHIFT DOWN (⇩) key four times.
 - The menu option "5 PC LOADING" indicated by the blinking cursor is selected, and press the ENTER/SHIFT RIGHT (⇨) key.

Note: This mode can be selected when ISDN board is installed.

```

6 POLLING TX/RX
7>PRINT FROM MEMORY
8 REPORT PRINT
    
```

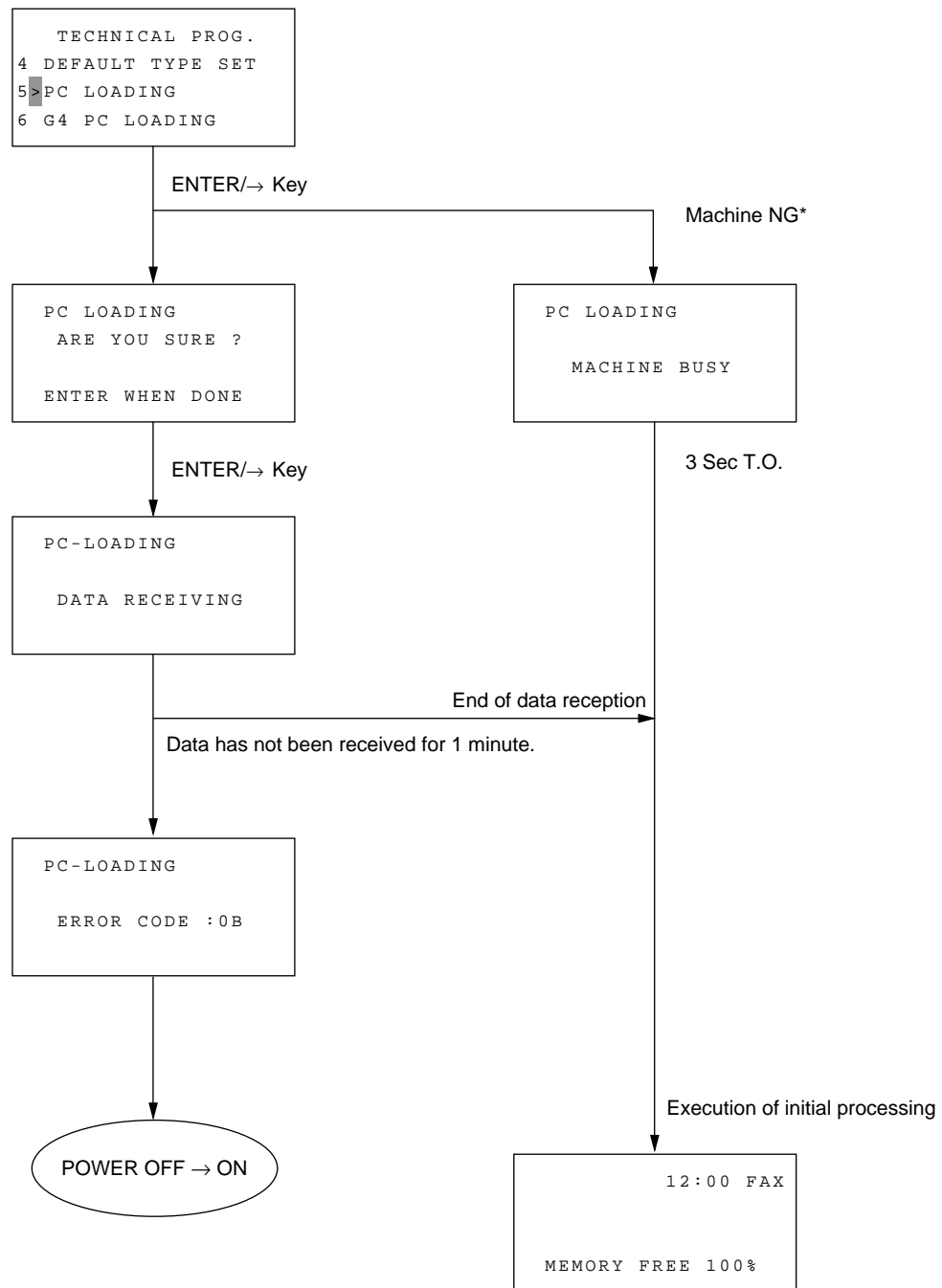
RESOLUTION Key x 2



*1) This mode can be selected when ISDN board is installed.

PC Loading Flow

PC Loading automatically rewrites the program stored in the machine by using PC. This function is only for serviceman.



*:Memory data exists, redial is being waited, document reserved to be transmitted exists, a machine alarm (excluding no paper, toner low and no ID alarms), or the telephone is off-hooked.

3.3 G4 Board PC Loading Procedure

3.3.1 Explanation of Procedure

The G4 board PC loading procedure is explained below assuming that the MFP system is normal.

1. With the host PC connected to the MFP (having a G4 board) through a Centro cable, turn on the PC and then MFP.
2. Start MS(PC)-DOS on the PC, then perform the G4 board PC loading start key operation on the MFP. (Make sure "PC-LOADING" is displayed on the LCD on the MFP system and the "Ready" buzzer sounds.)
3. Execute an MS(PC)-DOS command "COPY" along with a binary switch on the PC to output the G4 board PC loading data file to the LPT1. Thus, the loading data can be transferred to the MFP.

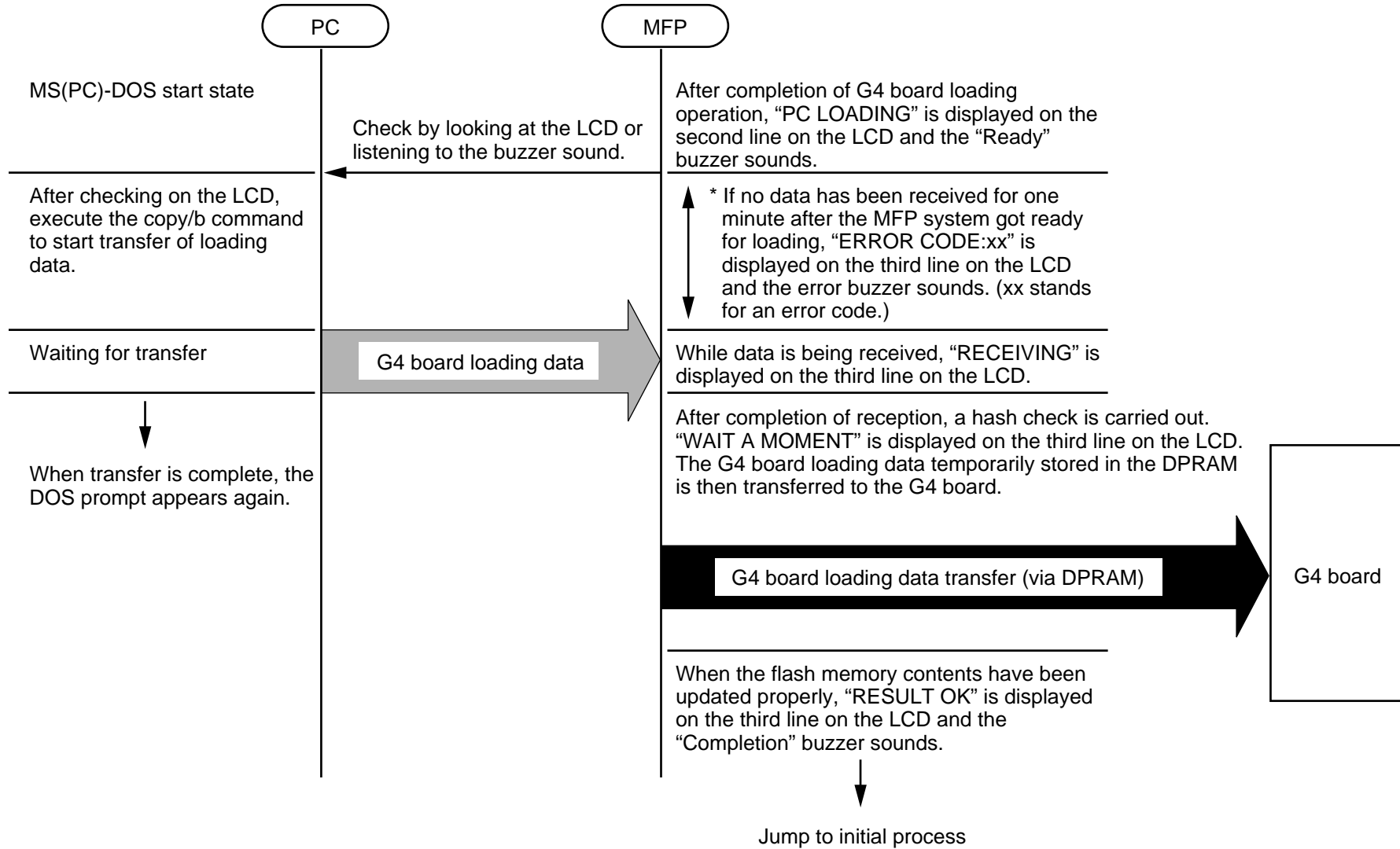
Example: >copy/b xxx.x LPT1 (xxx.x is a loading file name.)

4. Look at the message on the LCD and listen to the "MFP normal end" buzzer to check that G4 board PC loading has been completed normally. If the MFP displays an error code on the LCD, issues an error buzzer, or turns on an alarm LED, power the MFP off and on again to perform the above steps again assuming that a PC loading error has occurred.

Caution!

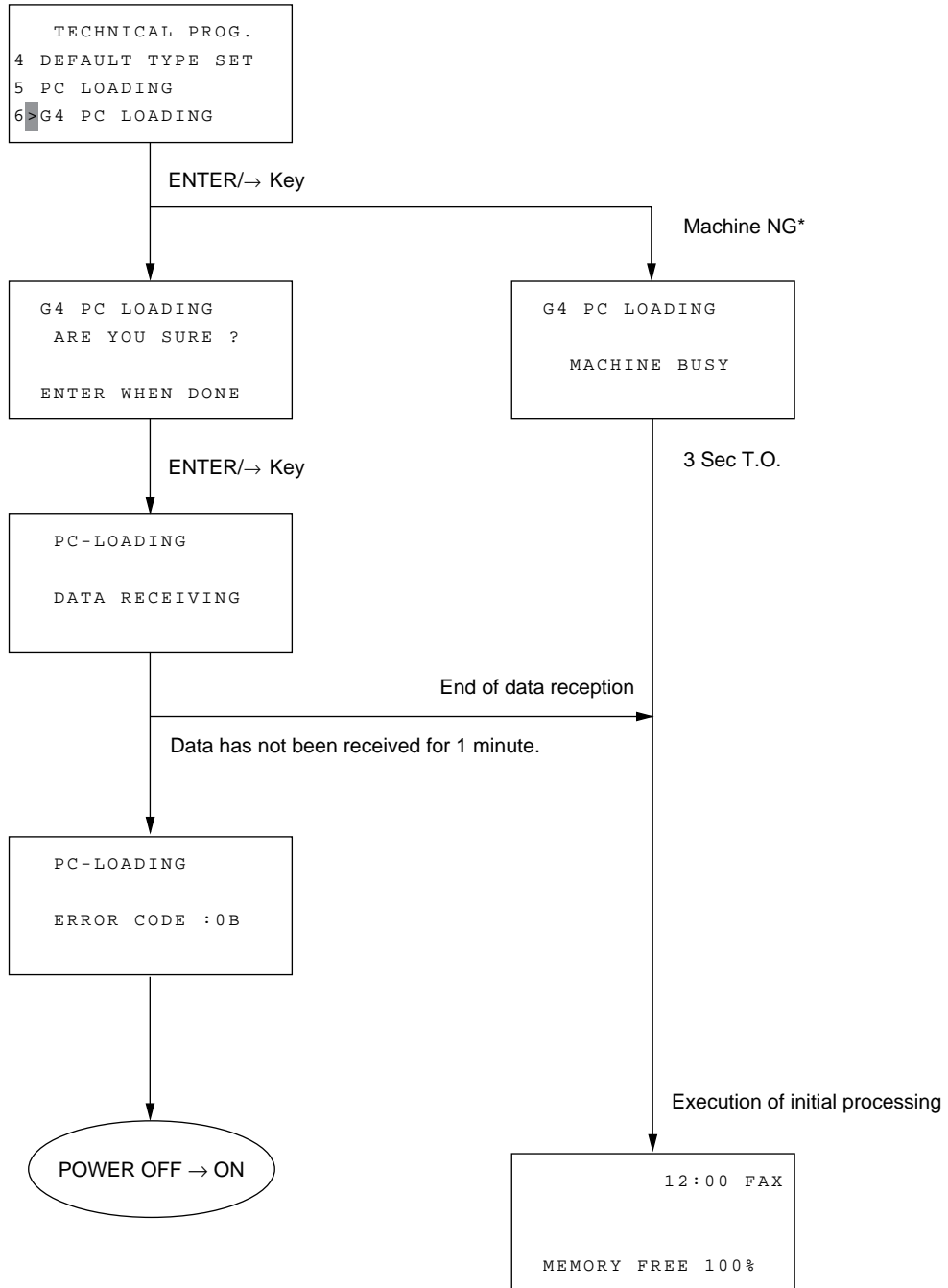
Even if a G4 board memory error or a G4 board flash memory contents error occurs together with a hash match error (i.e., runaway), G4 board loading can be performed following the procedure mentioned above.

(For more details, refer to the "FX056/176 System Specifications; G4 Initial.")



3.3.3 G4 PC Loading Flow

G4 PC Loading automatically rewrites the program stored in the machine by using PC. This function is only for serviceman.



*:Memory data exists, redial is being waited, document reserved to be transmitted exists, a machine alarm (excluding no paper, toner low and no ID alarms), or the telephone is off-hooked.

4. LCD Messages

The LCD message in each operation state is shown below. Note that each message does not vary with the default type or language type.

(1) Upon transition to PC loading function

Transition by manual operation

PC LOADING

Transition by a memory error

MEMORYERROR

(2) During data receiving before loading end buzzer sounding

PC-LOADING
DATA RECEIVING

(3) During loading end buzzer sounding

12:00 FAX
MEMORY FREE 100%

(4) Upon error occurrence during loading

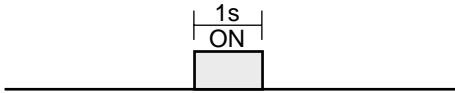
PC-LOADING
ERROR CODE :0B

“***”: Error code (See “6. List of Error causes and Corresponding Codes.”)

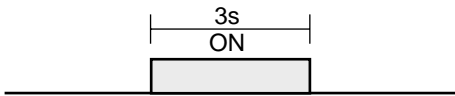
5. Buzzer Sounding Patterns

The buzzer sounding patterns for various cases are shown below. In each case, the buzzer frequency is 2,400 Hz and the sound volume is maximum.

5.1 Upon Start of PC Loading



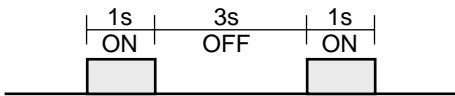
5.2 Upon Normal End



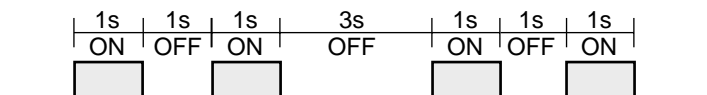
5.3 Upon Error Occurrence

The following sounding patterns are provided for indicating various error causes. Intermittent sounding is repeated until the MFP power is turned off. See "6. List of Error Causes and Corresponding Codes" for details of the error causes and codes.

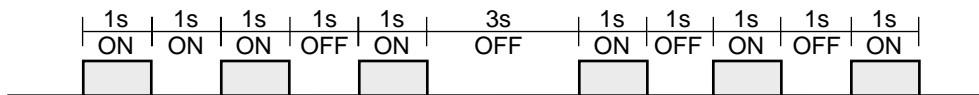
(1) Receive data hash check NG (error code: "01")



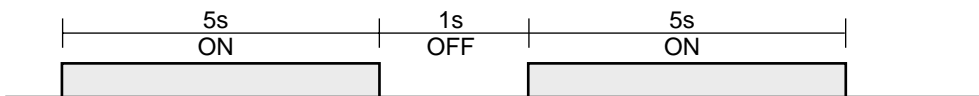
(2) Flash memory erase/write NG (error code: "02")



(3) Disagreement between contents of flash memory and external RAM (error code: "03")



(4) Other error (error code: other than above)



6. List of Error Causes and Corresponding Codes

The table below lists the error causes likely to occur during PC loading and the corresponding codes. When an error occurs, the corresponding error code is displayed, the buzzer sounds in the corresponding pattern and transition to the permanent loop state occurs. (See Note 1.)

See “4. LCD Messages” and “5. Buzzer Sounding Patterns” for the LCD display and buzzer sound upon occurrence of each error.

		CODE
1	Timeout of data receiving waiting timer (14 seconds)	00
2	Loading data hash check error	01
3	Flash memory erase/write error	02
4	Disagreement between flash memory and external RAM contents (verify error)	03
5	Header sum check NG *1	04
6	Disagreement between loading machine type and machine identifier in header *1	05
7	Designation of unspecified parameter in header *1	06
8	Extended address record sum check NG *2	07
9	Data record sum check NG *2	08
10	Start address record sum check NG *2	09
11	File end record sum check NG *2	0A
12	Timeout by failure in normal data receiving for 1 minute in loading waiting state after operation	0B
13	RAM check result NG upon starting loading program processing	0C
33	The data reception wait timer (14 seconds) has expired during data transfer from the PC to the MFP main unit.	20
34	A received data hash check error has occurred in the MFP main unit.	21
35	On the G4 board side, an error has occurred during flash memory data erasure/write.	22
36	On the G4 board side, updated flash memory contents do not match the contents of source DRAM.	23
37	The G4 board has detected setting of an invalid value in the DPRAM length area on the MFP main unit side.	24
38	The G4 board has detected setting of an invalid value in the DPRAM status area on the MFP main unit side.	25
39	Reserved	26
40	On the MFP main unit side, normal data has not been received for one minute after start of G4 board PC loading.	27
41	On the G4 board side, a header sum check error has occurred.	28
42	On the G4 board side, a loading data hash check error has occurred.	29
43	On the G4 board side, a header parameter specification error has occurred.	2A
44	On the MFP main unit side, the G4-board-side DPARM status response state has been maintained for 3 minutes or longer.	2B
45	On the G4 board side, a DRAM check error has occurred.	2C
46	The MFP main unit has detected setting of an invalid value on the G4 board side.	2D
47	On the G4 board side, the local machine type does not match the header's type identifier.	2E

*1. Occurs only in binary format specification.

*2. Occurs only in Intel HEX code specification (reservation code not actually used).

(Note 1)

No error processing (transition to permanent loop state after error code display and buzzer sounding in corresponding pattern) occurs when any of the following errors occurs in receiving the loading program header. The receive data until error occurrence is discarded and the program header receiving starts from the beginning again.

- (1) Header sum check NG
- (2) Disagreement between loading machine type and machine identifier in header
- (3) Designation of unspecified parameter in header
- (4) Designation of other than loading program as data type identifier in header
- (5) Designation of no succeeding data in descriptor
- (6) Designation of Intel HEX format as data type
- (7) 14 seconds timeout in header receiving end waiting state

7. Cautions

- (1) Execute the copy command for PC loading after sounding of the buzzer indicating the ready state for loading (for about 1 second). Since the buzzer does not sound for PC loading upon memory error detection, however, execute the copy command after checking "MEMRY ERROR" indication on the LCD after power on.
- (2) Even after returning to the DOS prompt state after the end of the copy command on the PC, do not turn the MFP power off until the buzzer indicating the end of MFP loading sounds.

8. Loading Processing Time

The processing time for reloading in the whole OKIFAX 5700/5900 area (program 1, language and default) is shown below.

Use the value only as reference since the transfer time varies with each type of PC.

8.1 Main Board

Measuring conditions:

MFP: OKIFAX 5700/5900
Flash memory: MBM29F800T (non-cleared state)
Transfer file version: STD1

Result:

Time for transfer from PC to FAX main unit: Approx. seconds
Flash memory update time: Approx. seconds

8.2 ISDN Option Board

Time for transfer from PC to FAX ISDN Board: About 60 seconds.

Appendix H

RMCS SYSTEM MANUAL
(For Model 30)

First Edition

Okidata Corporation

CONTENTS

1. Notes to RMCS user	H-1
1.1 Introduction	H-1
1.2 System Composition of RMCS MODEL 30	H-1
1.3 Required Devices	H-2
1.4 Connectable Peripheral Equipment	H-2
2. Quick Set-up Manual for RMCS Model 30	H-3
2.1 Installation of RMCS Disc	H-3
2.2 Installation of FAX Disc	H-3
2.3 Installation of PROGRAM/DEFAULT/LANGUAGE Files	H-3
2.4 Running RMCS	H-4
2.4.1 Registering User	H-4
2.4.2 Selecting User	H-4

1. Notes to RMCS user

1.1 Introduction

RMCS stands for the Remote Management Center System.

RMCS refers to setting registration data and conducting maintenance operations from a remote location.

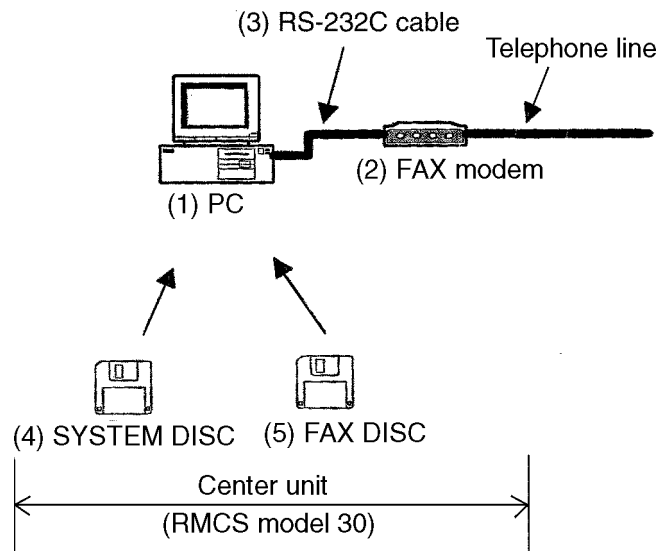
The purpose of this system is to speed up customer service and reduce maintenance costs. This system doesn't work on Windows. Don't activate it on Windows. This system work only on DOS.

1.2 System Composition of RMCS MODEL 30

System composition of RMCS Model 30 is shown as below.

PC, FAX MODEM and RS232C cable are necessary for RMCS MODEL 30. Please prepare them with the user.

At first, install a SYSTEM DISC and FAX DISC's in the PC to use RMCS.



- (1) PC : IBM PC/AT compatible
- (2) FAX modem : This is a equipment to call and communicate to the remote FAX machine. We recommend "Modem SURFR 56k (MOTOROLA)" for this system.
- (3) RS232C cable : The straight type cable to connect serial port between PC and FAX modem.
- (4) SYSTEM DISC : This disk is used to install this system and FAX DISC's to PC. SYSTEM DISC for Model 30 can be use for Model 10 and 20.
- (5) FAX DISC : This software includes default data and communication control program etc. for the model of FAX machine. Therefore, this disc exists for the model of FAX machine one by one.

Fig. 1.1 System composition of RMCS Model 30

1.3 Required Devices

The following devices and software are required to operate this system.

Personal Computer	IBM PC/AT or compatible model																						
Operating system	PC-DOS Ver. 3.1 or later																						
Internal memory	300KB or more																						
Extended memory	1MB or more																						
Hard disk drive	20MB or more																						
Display	CGA/EGA/VGA type																						
FAX modem	<p>a) Class 1 of AT command. b) High –speed (at least 2400bps) frame transmission and receiving. c) Able to use software flow control (XON/XOFF). d) The FAX modem should be connected using one of the following COM port settings.</p> <table border="1" data-bbox="544 712 1198 907"> <thead> <tr> <th>COMx</th> <th>SERIAL PORT START ADDR.</th> <th>SERIAL PORT END ADDR.</th> <th>IRQ</th> </tr> </thead> <tbody> <tr> <td>COM1</td> <td>3F8</td> <td>3FF</td> <td>IRQ4</td> </tr> <tr> <td>COM2</td> <td>2F8</td> <td>2FF</td> <td>IRQ3</td> </tr> <tr> <td>COM3</td> <td>3E8</td> <td>3EF</td> <td>IRQ4</td> </tr> <tr> <td>COM4</td> <td>2E8</td> <td>2EF</td> <td>IRQ3</td> </tr> </tbody> </table> <p>e) Special drivers are not needed.</p> <p>The following modems are recommended:</p> <ul style="list-style-type: none"> - Diamond Super Express 56k external V.90 - 3COM USRobotics 56k external V.90 			COMx	SERIAL PORT START ADDR.	SERIAL PORT END ADDR.	IRQ	COM1	3F8	3FF	IRQ4	COM2	2F8	2FF	IRQ3	COM3	3E8	3EF	IRQ4	COM4	2E8	2EF	IRQ3
COMx	SERIAL PORT START ADDR.	SERIAL PORT END ADDR.	IRQ																				
COM1	3F8	3FF	IRQ4																				
COM2	2F8	2FF	IRQ3																				
COM3	3E8	3EF	IRQ4																				
COM4	2E8	2EF	IRQ3																				
RS-232C cable	Connection between Personal computer and FAX modem																						

Note 1: This system requires ANSI.SYS for screen control, and uses EMS memory. Confirm that the following commands are in the CONFIG.SYS file. If not, please edit the file to include these commands.

DEVICE = C:\DOS\ANSI.SYS

DEVICE = C:\DOS\EMM386.EXE

1.4 Connectable Peripheral Equipment

Printer	
Mouse	Microsoft mouse or equivalent

To use a mouse, a mouse driver program is required.

2. Quick Set-up Manual for RMCS Model 30

This procedure should be used in conjunction with the main documentation supplied and is designed only as a brief set up and operation procedure.

The set-up for the RMCS is from a PC to a FAX modem. This FAX modem unit is the CONTROL or CENTER unit.

The receiving fax unit is connected to the control fax through the telephone line cables. This unit is called the REMOTE unit.

Note: The REMOTE unit must have Remote Diagnosis set to ON (Machine setting 14).

CONFIG.SYS in CENTER PC must have the following added

```
DEVICE = C:\DOS\ANSI.SYS
DEVICE = C:\DOS\EMM386.EXE
```

Items 2-1, 2-2 and 2-3 need only be carried out for the initial installation.

And Item 2-3 is needed only for operator to treat the .BIN files i.e. Program, Default and Language files.

2.1 Installation of RMCS Disc

Insert the "SYSTEM DISC" into drive A and set PC for drive A:

```
A>INST enter (INSTALL MENU will be displayed.)
```

Select item 1 (RMCS SETTING) from the menu

```
Hard disk drive = [c]           enter
Directory       = [c:\RMCS_   ] enter
Password       = [*****]     type in password and press enter
Dipswitch      enter (this is only for RMCS Model 10)
Are you sure    Y             enter
```

2.2 Installation of FAX Disc

Remove SYSTEM DISC from drive A and insert the "FAX DISC" (FX-056/176).

Select item 2 (FAX SETTING) from the menu, then the message is displayed as below.

```
Fax Disk set
Push any key           (After pushing any key, the message will be added as below).
FX-056                 (for example)
Ver 02.00
Are you sure (Y or N) Y enter (FAX DISC data will now be installed to the PC.)
```

2.3 Installation of PROGRAM/DEFAULT/LANGUAGE files

With the FAX DISC in drive A run the Binary File Manager program:

```
A>BFM enter (Then Binary File Manager MENU will be displayed.)
```

```
Select [0]: STORE FILE
```

Remove FAX DISC from drive A and insert a disc containing the .BIN files. Use the arrows key to highlight the file to be stored and then press enter. Press ESC to return to the menu and then terminate.

2.4 Running RMCS

Return to drive C and to execute RMCS:

```
C>RMCS      enter
```

The operator is then required to enter their ID and password. The ID is not critical to the operation and is only used for the operation history. The password must be the same as entered during Installation of RMCS set-up.

The TEL DIRECTORY MENU is now displayed and the main options are Select User and Register user.

Note: The user must be registered before being selected.

2.4.1 Registering user

Select 2 (Register user) from the menu and select NEW USER which is in inverse video. Press enter and the user has to supply the following details.

<USER ID>	the name of the REMOTE fax
<TEL NUMBER>	the telephone number of the REMOTE fax
<FAX MODEL>	fax model of REMOTE fax (FX-056/176) Press the space bar to select the model
<MEMO>	Not required, but a message can be entered

Press function key F10 to register these details.

The FAX DATA FILE LIST is now displayed and the file name 'sys_defx.9xx' should be highlighted, press enter to complete registration (This file name is part of the FAX DISC information and 9xx is dependent on the model number).

2.4.2 Selecting a user

Select 1 (Select user) from the menu and USER LIST will be displayed. Use the arrow keys to select the required user then press enter.

The MAIN MENU will now be displayed:

- 1: Initialization of FAX
- 2: File [LOAD] (Center to FAX)
- 3: File [SAVE] (Center from FAX)
- 4: [EDIT] (ON LINE)
- 5: File [EDIT] (OFF LINE)
- 6: Testing
- 7: Environment setting
- 8: Terminate

At first it is necessary to select 'Modem settings' in 'Environment Setting' to set COMMUNICATION PORT connected between PC and FAX Modem, and to set FAX Modem parameters (TONE DIAL/PULSE DIAL, DETECT BUSY TONE, DETECT DIAL TONE, SPEAKER MODE, SPEAKER VOLUME, FLOW CONTROL COMMAND).

Refer to the main documentation for more details on using this menu, but summary of each item is as below:

- 1: Allow all the counters, function settings etc. to be cleared.
- 2: Download each date or the .BIN file from the PC to the REMOTE fax.
- 3: Upload the user, serviceman, tel number data from the REMOTE fax to the PC.
- 4: Edit the user, serviceman and tel number data in the REMOTE fax.
- 5: Edit the REMOTE fax data stored in the PC.
- 6: Read the s/w versions, activity report and counters data etc. from the REMOTE fax.
- 7: Select the COMM. PORT and provide and operation report of all transactions.
- 8: Terminate RMCS operation.

Follow all instructions in the submenus using the function keys and arrow keys as instructed to fully use the RMCS.